

---

BUILT-IN REFRIGERATOR COLUMNS  
BUILT-IN FREEZER COLUMNS  
BUILT-IN WINE COLUMNS  
BUILT-IN BOTTOM MOUNT

---

DESIGN GUIDE - NORTH AMERICA



## **REFRIGERATORS**

Refrigerators are a core building block of every kitchen. Bertazzoni offers a wide range of applications, sizes, and installation options, which are all harmonized by design to match the entire kitchen appliance suite.

Bertazzoni refrigerators are available in various styles, including Columns, Bottom Mount, and French Door models. With the Bertazzoni Design Guide, you can enjoy flawless installation of all the built-in 84" models from the both the T and V tier lineup.

These built-in models are designed to accommodate custom kitchen panels or stainless-steel doors and handles that match the other appliances in your kitchen. They can be installed proud or flush with the cabinets, bringing your personal style to the kitchen.

We've taken care of every detail so that you can enjoy a seamless and elegant look in your kitchen.

# INDEX



<b>INTRODUCTION</b>	<b>2</b>	<b>V TIER LINE UP</b>	<b>102</b>
<b>T TIER LINE UP</b>	<b>4</b>	<b>BUILT-IN REFRIGERATOR COLUMNS</b>	<b>103</b>
<b>BUILT-IN REFRIGERATOR COLUMNS</b>	<b>5</b>	30" Refrigerator Column Panel Ready	105
36" Refrigerator Column Panel Installed	7	24" Refrigerator Column Panel Ready	108
36" Refrigerator Column Panel Ready	10	<b>BUILT-IN FREEZER COLUMNS</b>	<b>111</b>
30" Refrigerator Column Panel Installed	13	24" Freezer Column Panel Ready	113
30" Refrigerator Column Panel Ready	16	18" Freezer Column Panel Ready	116
24" Refrigerator Column Panel Installed	19	<b>BUILT-IN WINE COLUMNS</b>	<b>119</b>
24" Refrigerator Column Panel Ready	22	24" Wine Column Panel Ready	121
<b>BUILT-IN FREEZER COLUMNS</b>	<b>25</b>	18" Wine Column Panel Ready	124
30" Freezer Column Panel Installed	27	<b>COLUMNS MULTIPLE INSTALLATIONS</b>	<b>127</b>
30" Freezer Column Panel Ready	30	Multiple installations	129
24" Freezer Column Panel Installed	33	42" Double Configurations	130
24" Freezer Column Panel Ready	36	48" Double Configurations	131
18" Freezer Column Panel Installed	39	54" Double Configurations	132
18" Freezer Column Panel Ready	42	60" Triple Configurations	133
<b>BUILT-IN WINE COLUMNS</b>	<b>45</b>	66" Triple Configurations	134
24" Wine Column Panel Installed	47	72" Triple Configurations	135
24" Wine Column Panel Ready	50	78" Triple Configurations	136
18" Wine Column Panel Installed	53	Custom Door Panel	137
18" Wine Column Panel Ready	56	Recommended Installations	138
<b>COLUMNS MULTIPLE INSTALLATIONS</b>	<b>59</b>	Refrigeration Handles	139
42" Double Configurations	62	<b>BUILT-IN BOTTOM MOUNT AND</b>	
48" Double Configurations	63	<b>FRENCH DOOR REFRIGERATORS</b>	<b>140</b>
54" Double Configurations	64	36" French Door Bottom Mount Panel Ready	142
60" Double Configurations	65	36" Bottom Mount Panel Ready	145
60" Triple Configurations	66	30" Bottom Mount Panel Ready	148
66" Triple Configurations	67	<b>BOTTOM MOUNTS</b>	
72" Triple Configurations	68	<b>MULTIPLE INSTALLATIONS</b>	<b>151</b>
78" Triple Configurations	69	60" Bottom Mount Double Configurations	154
84" Triple Configurations	70	66" Bottom Mount Double Configurations	155
90" Triple Configurations	71	72" Bottom Mount Double Configurations	156
Custom Door Panel	72	48" Double Configurations	157
Recommended Installations	73	54" Double Configurations	158
Refrigeration Handles	74	60" Double Configurations	159
Toekick Panel	75	French Door Custom Door Panel	160
<b>BUILT-IN BOTTOM MOUNT REFRIGERATORS</b>	<b>76</b>	Bottom Mount Custom Door Panel	161
36" Bottom Mount Panel Installed	78	French Door Refrigeration Handles	162
36" Bottom Mount Panel Ready	81	Bottom Mount Refrigeration Handles	164
30" Bottom Mount Panel Installed	84		
30" Bottom Mount Panel Ready	87		
<b>BOTTOM MOUNT MULTIPLE INSTALLATIONS</b>	<b>90</b>		
60" Bottom Mount Double Configurations	93		
66" Bottom Mount Configurations	94		
72" Bottom Mount Configurations	95		
48" Double Configurations	96		
54" Double Configurations	97		
60" Double Configurations	98		
Bottom Mount Custom Door Panel	99		
Bottom Mount Refrigeration Handles	100		

---

# T TIER LINE UP



---

# BUILT-IN REFRIGERATOR COLUMNS



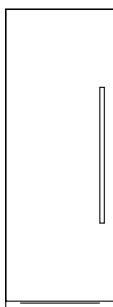
## BUILT-IN COLUMNS

Refrigerators, freezers, and wine columns from the T tier are masterpieces of design and technology. Their stylish appearance reflects close attention to detail and high-quality materials, inside and out.

The stainless steel front and panel-ready doors are mounted with state-of-the-art engineered lift-and-swing hinges that give the perception of a weightless range of motion. Versatile installation options make it possible to bring together elegant configurations of the refrigerator, freezer, and wine column in any desired width. All three columns work in harmony with handles and finishes available for every Series.

---

36" - 30" - 24"  
Panel Ready and  
Panel Installed





# 36" Refrigerator Column Panel Installed

## Dimensions



REF36RCPIXL/23 left hinge  
 REF36RCPIXR/23 right hinge

### Handle choices

Professional Series: PROHKCOL

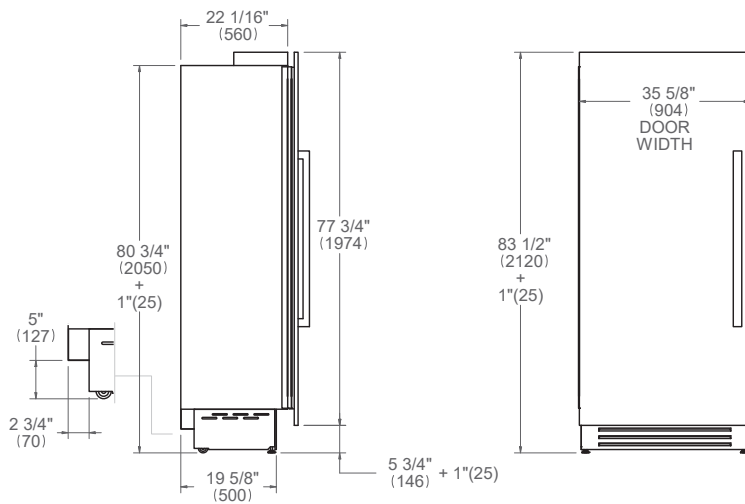
Master series: MASHKCOL

Heritage Series: HERHKCOL

SIDE VIEW

FRONT VIEW

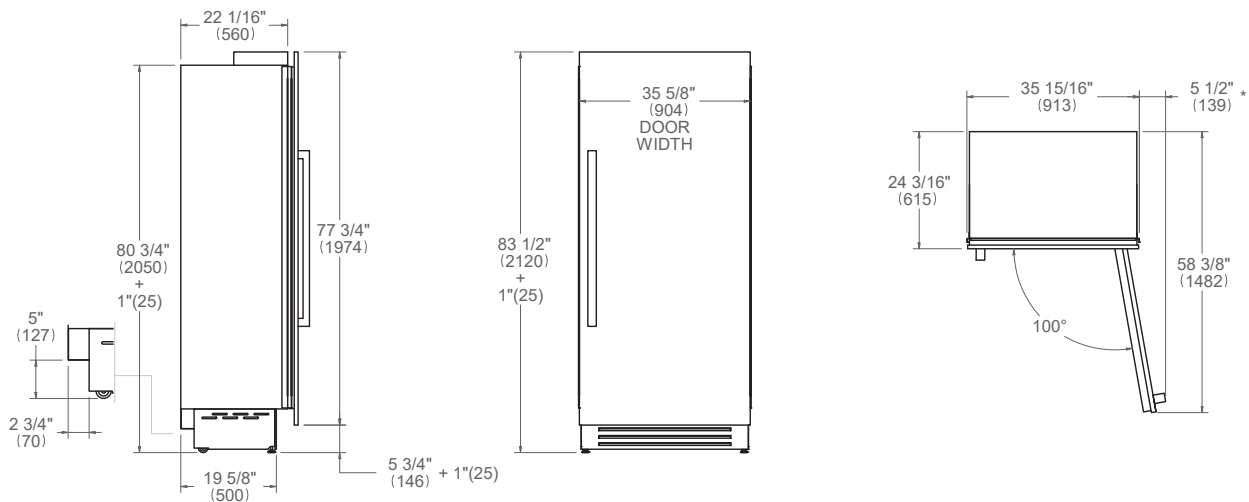
TOP VIEW



SIDE VIEW

FRONT VIEW

TOP VIEW



\* Maximum Overall Handle Dimension  
 For detailed handle dimensions see page 74

# 36" Refrigerator Column Panel Installed

## Installation requirements



### INSTALLATION

All Bertazzoni columns can be installed in a standard 25" depth cutout.  
 Finish the edges of the opening because they may be visible when the door is open.  
 For a built-in installation, to cover gaps between the appliance and the adjacent cabinets, special side profiles are factory-installed and covering frames are provided with the product.

**For instructions of product combinations please see the Multiple Installation Section (page 59).**

### CABINET REQUIREMENT

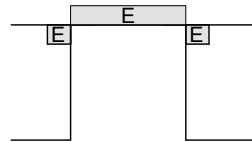
Installation of the appliance must be performed in accordance with the provisions of applicable legislation.  
 Be sure that support of this appliance is perpendicular to the front facing of the wall or cabinet before you perform the installation.  
 The floor must be flat and must be capable of supporting the weight of the appliance when in use.

<b>Required floor support</b>	1532 lb (695 kg)
-------------------------------	------------------

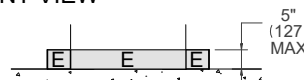
### ELECTRICAL REQUIREMENT

The installation must comply with all applicable electrical codes. A properly-grounded horizontally-mounted electrical receptacle should be installed.  
 Place the electrical supply flush with the back wall and within the shaded area shown in the illustrations.  
 Placement within the opening may require additional cabinet depth.

#### TOP VIEW



#### FRONT VIEW



A separate circuit breaker servicing only this appliance is recommended.

<b>Electrical supply</b>	115 V 60 Hz 218 W 2 Amp
<b>Service</b>	15 Amp dedicated circuit
<b>Power Connection</b>	NEMA 5-15P with 79" power cord

For detailed installation specifications consult the multiple installation requirements page or each single product installation manual.

Dimensions in parentheses are millimeters unless otherwise specified.

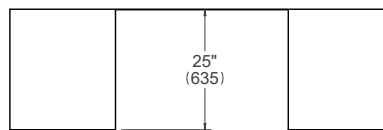


# 36" Refrigerator Column Panel Installed

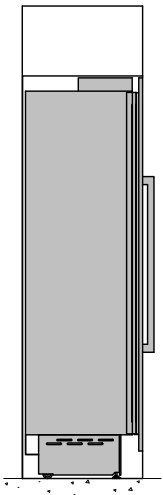
## Flush installation



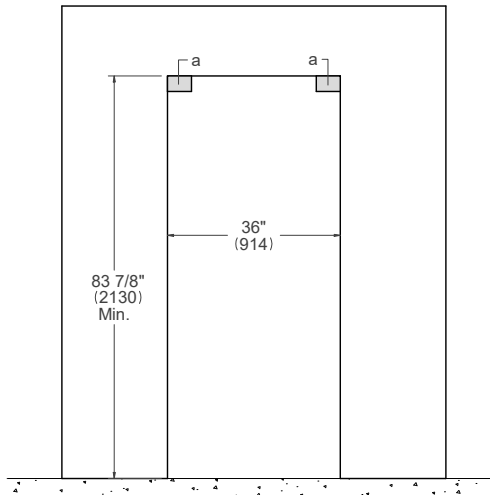
TOP VIEW<sup>b</sup>



SIDE VIEW



FRONT VIEW



(a) Area to be left clear for the anti-tipping brackets – 5 1/2" x 4" (140x100mm)

Dimensions in parentheses are millimeters unless otherwise specified.

b: depth includes kitchen cabinet front panel.

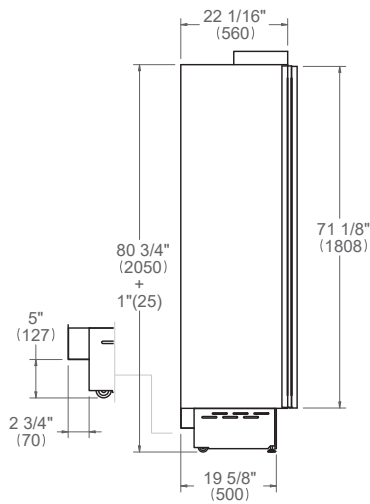
# 36" Refrigerator Column Panel Ready

## Dimensions

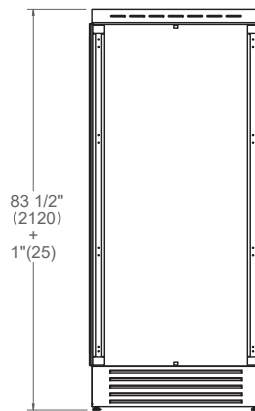


REF36RCPRL/23 left hinge  
 REF36RCPRR/23 right hinge

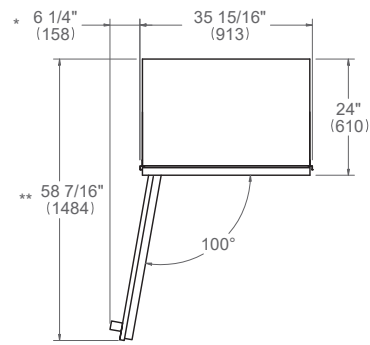
SIDE VIEW



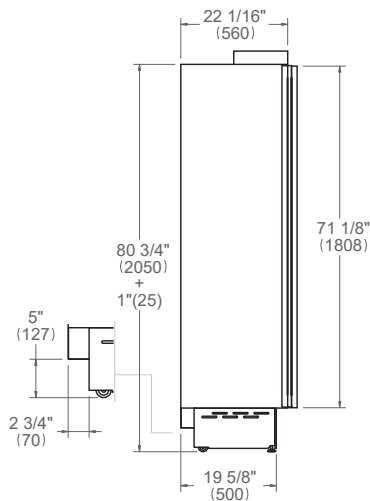
FRONT VIEW



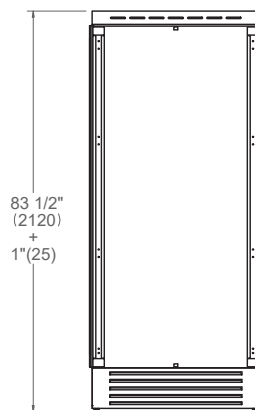
TOP VIEW



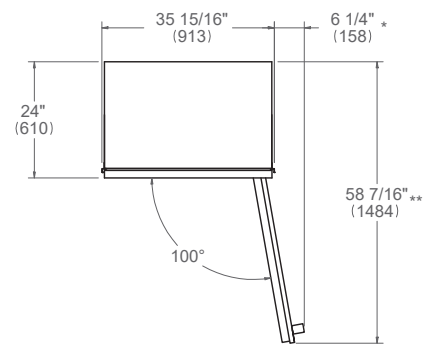
SIDE VIEW



FRONT VIEW



TOP VIEW



\* Maximum Overall Handle Dimension  
 \*\* 3/4" (19mm) Door Panel thickness  
 For custom panel dimensions see page 72  
 For detailed handle dimensions see page 74

Dimensions in parentheses are millimeters unless otherwise specified.

A matching Carbonio panel kit is available - SKU # SP36CC

# 36" Refrigerator Column Panel Ready

## Installation requirements



### INSTALLATION

All Bertazzoni columns can be installed in a standard 25" depth cutout.  
 Finish the edges of the opening because they may be visible when the door is open.  
 For a built-in installation, to cover gaps between the appliance and the adjacent cabinets, special side profiles are factory-installed and covering frames are provided with the product.  
 For panel ready columns, do not exceed the maximum weight of 75 pounds (34 kg) for door panel. Panel can have thickness ranging between 3/4" (19 mm) and 1 1/8" (28 mm).

**For instructions of product combinations please see the Multiple Installation Section (page 59).**

### CABINET REQUIREMENT

Installation of the appliance must be performed in accordance with the provisions of applicable legislation.  
 Be sure that support of this appliance is perpendicular to the front facing of the wall or cabinet before you perform the installation.  
 The floor must be flat and must be capable of supporting the weight of the appliance when in use.

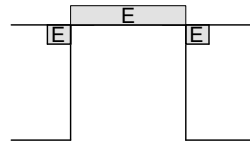
<b>Required floor support</b>	1532 lb (695 kg)
-------------------------------	------------------

For detailed installation specifications consult the multiple installation requirements page or each single product installation manual.

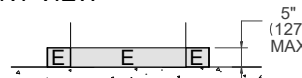
### ELECTRICAL REQUIREMENT

The installation must comply with all applicable electrical codes. A properly-grounded horizontally-mounted electrical receptacle should be installed.  
 Place the electrical supply flush with the back wall and within the shaded area shown in the illustrations.  
 Placement within the opening may require additional cabinet depth.

#### TOP VIEW



#### FRONT VIEW



A separate circuit breaker servicing only this appliance is recommended.

<b>Electrical supply</b>	115 V 60 Hz 218 W 2 Amp
<b>Service</b>	15 Amp dedicated circuit
<b>Power Connection</b>	NEMA 5-15P with 79" power cord

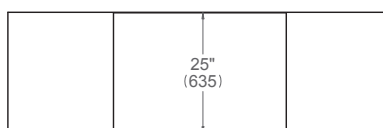
Dimensions in parentheses are millimeters unless otherwise specified.

# 36" Refrigerator Column Panel Ready

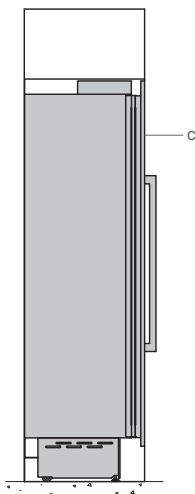
## Flush installation



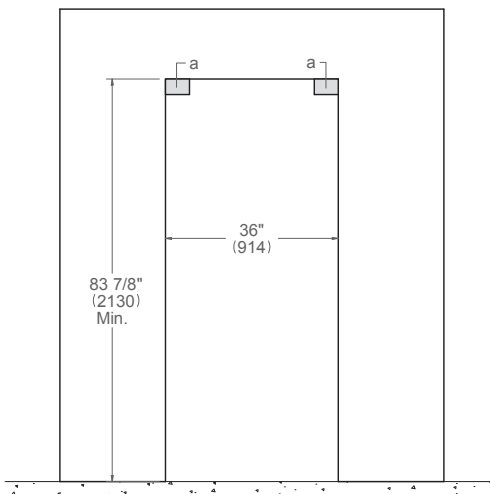
TOP VIEW<sup>b</sup>



SIDE VIEW



FRONT VIEW



- (a) Area to be left clear for the anti-tipping brackets – 5 1/2" x 4" (140x100mm)
- (c) Panel dimensions available on Built-in Food Preservation Design Guide or Installation Manual

Dimensions in parentheses are millimeters unless otherwise specified.  
b: depth includes kitchen cabinet front panel.

# 30" Refrigerator Column Panel Installed

## Dimensions



REF30RCPIXL/23 left hinge  
 REF30RCPIXR/23 right hinge

### Handle choices

Professional Series: PROHKCOL

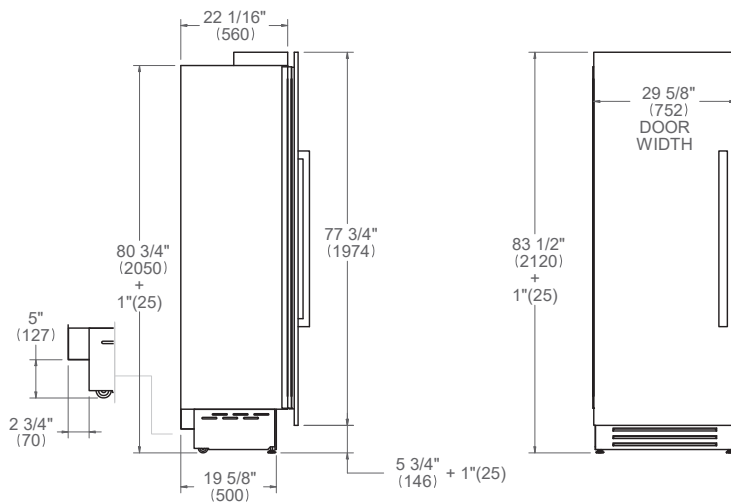
Master series: MASHKCOL

Heritage Series: HERHKCOL

SIDE VIEW

FRONT VIEW

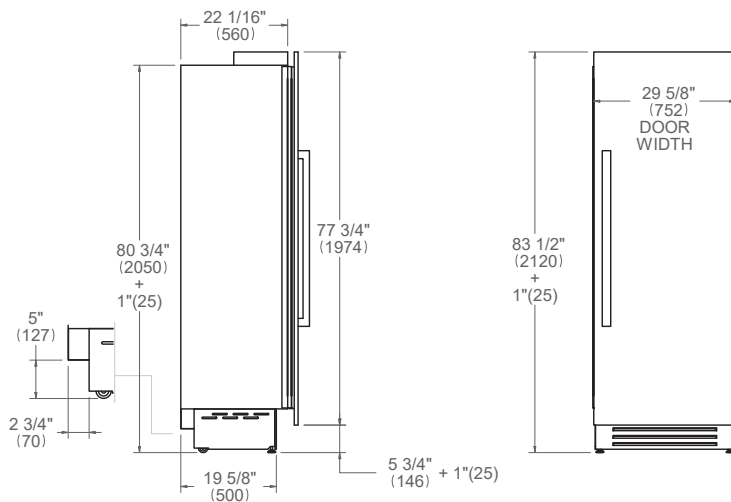
TOP VIEW



SIDE VIEW

FRONT VIEW

TOP VIEW



\* Maximum Overall Handle Dimension  
 For detailed handle dimensions see page 74

Dimensions in parentheses are millimeters unless otherwise specified.

# 30" Refrigerator Column Panel Installed

## Installation requirements



### INSTALLATION

All Bertazzoni columns can be installed in a standard 25" depth cutout.  
 Finish the edges of the opening because they may be visible when the door is open.  
 For a built-in installation, to cover gaps between the appliance and the adjacent cabinets, special side profiles are factory-installed and covering frames are provided with the product.

**For instructions of product combinations please see the Multiple Installation Section (page 59).**

### CABINET REQUIREMENT

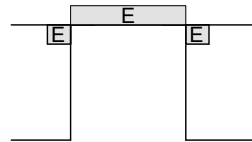
Installation of the appliance must be performed in accordance with the provisions of applicable legislation.  
 Be sure that support of this appliance is perpendicular to the front facing of the wall or cabinet before you perform the installation.  
 The floor must be flat and must be capable of supporting the weight of the appliance when in use.

<b>Required floor support</b>	1257 lb (570 kg)
-------------------------------	------------------

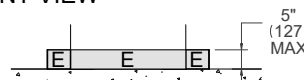
### ELECTRICAL REQUIREMENT

The installation must comply with all applicable electrical codes. A properly-grounded horizontally-mounted electrical receptacle should be installed.  
 Place the electrical supply flush with the back wall and within the shaded area shown in the illustrations.  
 Placement within the opening may require additional cabinet depth.

#### TOP VIEW



#### FRONT VIEW



A separate circuit breaker servicing only this appliance is recommended.

<b>Electrical supply</b>	115 V 60 Hz 218 W 2 Amp
<b>Service</b>	15 Amp dedicated circuit
<b>Power Connection</b>	NEMA 5-15P with 79" power cord

For detailed installation specifications consult the multiple installation requirements page or each single product installation manual.

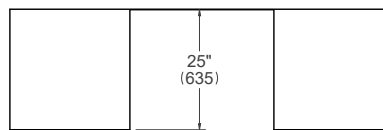
Dimensions in parentheses are millimeters unless otherwise specified.

# 30" Refrigerator Column Panel Installed

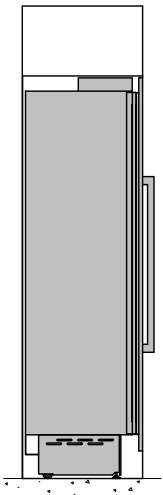
## Flush installation



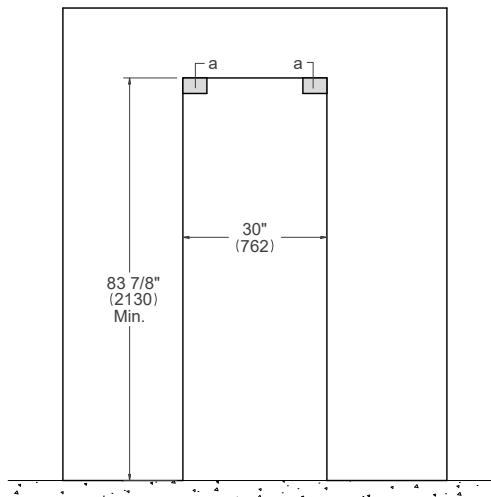
TOP VIEW<sup>b</sup>



SIDE VIEW



FRONT VIEW



(a) Area to be left clear for the anti-tipping brackets – 5 1/2" x 4" (140x100mm)

Dimensions in parentheses are millimeters unless otherwise specified.

b: depth includes kitchen cabinet front panel.

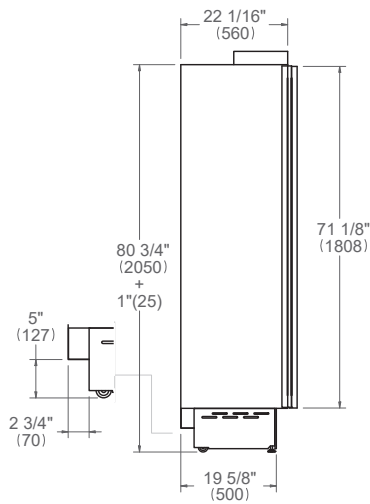
# 30" Refrigerator Column Panel Ready

## Dimensions

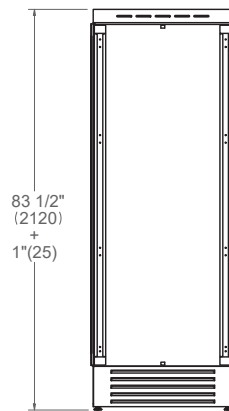


REF30RCPRL/23 left hinge  
 REF30RCPRR/23 right hinge

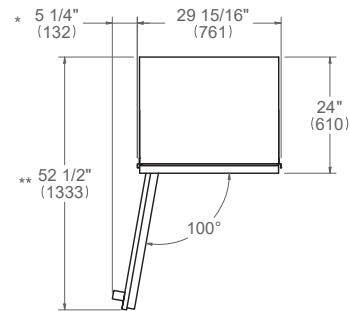
SIDE VIEW



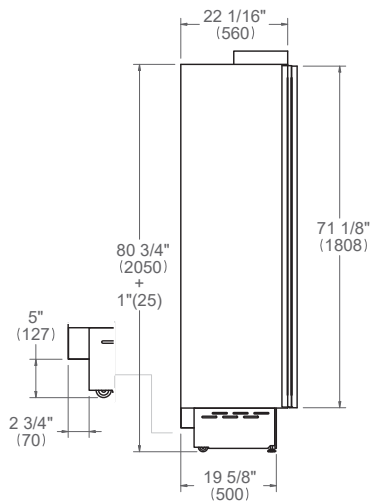
FRONT VIEW



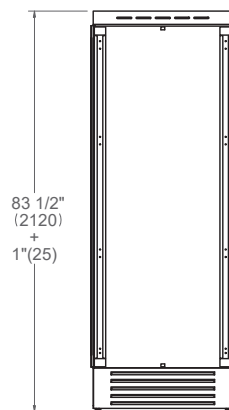
TOP VIEW



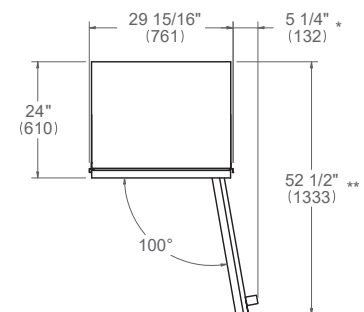
SIDE VIEW



FRONT VIEW



TOP VIEW



\* Maximum Overall Handle Dimension  
 \*\* 3/4" (19mm) Door Panel thickness  
 For custom panel dimensions see page 72  
 For detailed handle dimensions see page 74

Dimensions in parentheses are millimeters unless otherwise specified.

A matching Carbonio panel kit is available - SKU # SP30CC.



# 30" Refrigerator Column Panel Ready

## Installation requirements



### INSTALLATION

All Bertazzoni columns can be installed in a standard 25" depth cutout.  
 Finish the edges of the opening because they may be visible when the door is open.  
 For a built-in installation, to cover gaps between the appliance and the adjacent cabinets, special side profiles are factory-installed and covering frames are provided with the product.  
 For panel ready columns, do not exceed the maximum weight of 75 pounds (34 kg) for door panel. Panel can have thickness ranging between 3/4" (19 mm) and 1 1/8" (28 mm).

**For instructions of product combinations please see the Multiple Installation Section (page 59).**

### CABINET REQUIREMENT

Installation of the appliance must be performed in accordance with the provisions of applicable legislation.  
 Be sure that support of this appliance is perpendicular to the front facing of the wall or cabinet before you perform the installation.  
 The floor must be flat and must be capable of supporting the weight of the appliance when in use.

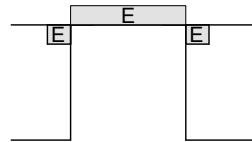
<b>Required floor support</b>	1257 lb (570 kg)
-------------------------------	------------------

For detailed installation specifications consult the multiple installation requirements page or each single product installation manual.

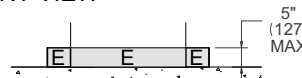
### ELECTRICAL REQUIREMENT

The installation must comply with all applicable electrical codes. A properly-grounded horizontally-mounted electrical receptacle should be installed.  
 Place the electrical supply flush with the back wall and within the shaded area shown in the illustrations.  
 Placement within the opening may require additional cabinet depth.

#### TOP VIEW



#### FRONT VIEW



A separate circuit breaker servicing only this appliance is recommended.

<b>Electrical supply</b>	115 V 60 Hz 218 W 2 Amp
<b>Service</b>	15 Amp dedicated circuit
<b>Power Connection</b>	NEMA 5-15P with 79" power cord

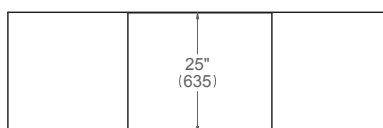
Dimensions in parentheses are millimeters unless otherwise specified.

# 30" Refrigerator Column Panel Ready

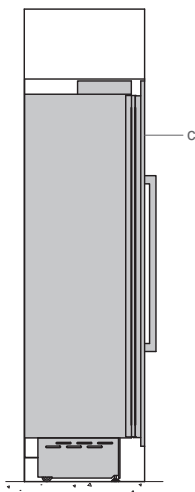
## Flush installation



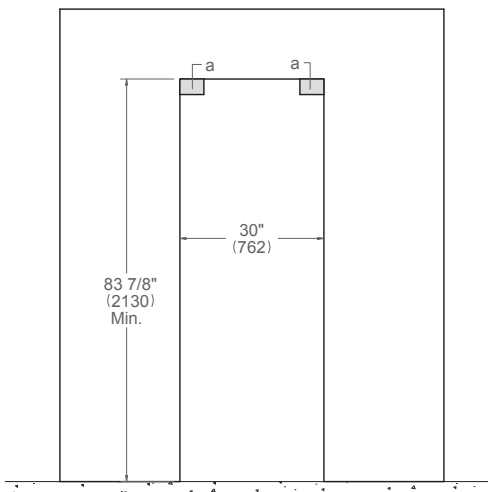
TOP VIEW <sup>b</sup>



SIDE VIEW



FRONT VIEW



- (a) Area to be left clear for the anti-tipping brackets – 5 1/2" x 4" (140x100mm)
- (c) Panel dimensions available on Built-in Food Preservation Design Guide or Installation Manual

Dimensions in parentheses are millimeters unless otherwise specified.

b: depth includes kitchen cabinet front panel.

# 24" Refrigerator Column Panel Installed

## Dimensions



REF24RCPIXL/23 left hinge  
 REF24RCPIXR/23 right hinge

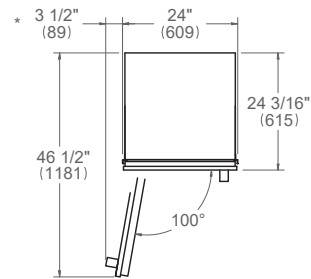
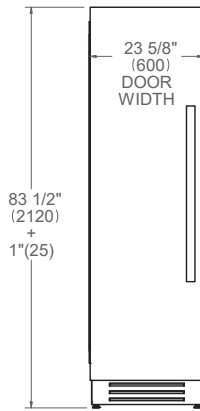
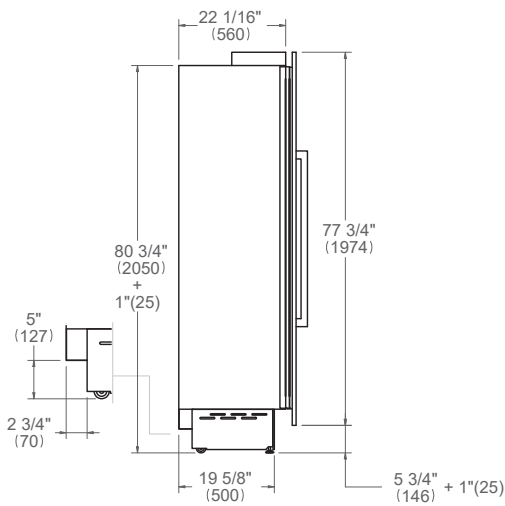
### Handle choices

Professional Series: PROHKCOL  
 Master series: MASHKCOL  
 Heritage Series: HERHKCOL

SIDE VIEW

FRONT VIEW

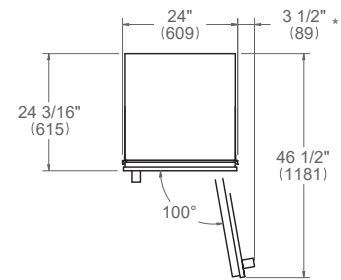
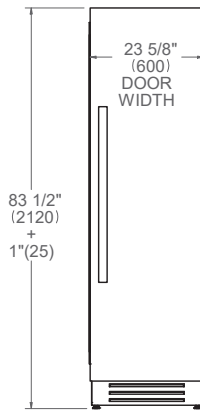
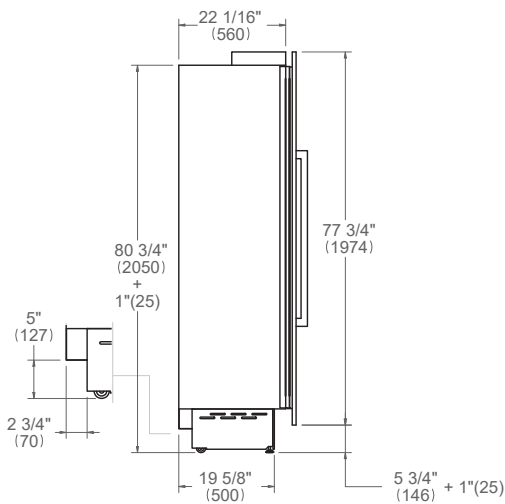
TOP VIEW



SIDE VIEW

FRONT VIEW

TOP VIEW



\* Maximum Overall Handle Dimension  
 For detailed handle dimensions see page 74

Dimensions in parentheses are millimeters unless otherwise specified.

# 24" Refrigerator Column Panel Installed

## Installation requirements



### INSTALLATION

All Bertazzoni columns can be installed in a standard 25" depth cutout.  
 Finish the edges of the opening because they may be visible when the door is open.  
 For a built-in installation, to cover gaps between the appliance and the adjacent cabinets, special side profiles are factory-installed and covering frames are provided with the product.

**For instructions of product combinations please see the Multiple Installation Section (page 59).**

### CABINET REQUIREMENT

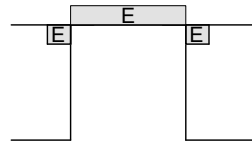
Installation of the appliance must be performed in accordance with the provisions of applicable legislation.  
 Be sure that support of this appliance is perpendicular to the front facing of the wall or cabinet before you perform the installation.  
 The floor must be flat and must be capable of supporting the weight of the appliance when in use.

<b>Required floor support</b>	992 lb (450 kg)
-------------------------------	-----------------

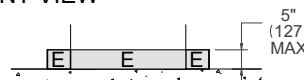
### ELECTRICAL REQUIREMENT

The installation must comply with all applicable electrical codes. A properly-grounded horizontally-mounted electrical receptacle should be installed.  
 Place the electrical supply flush with the back wall and within the shaded area shown in the illustrations.  
 Placement within the opening may require additional cabinet depth.

#### TOP VIEW



#### FRONT VIEW



A separate circuit breaker servicing only this appliance is recommended.

<b>Electrical supply</b>	115 V 60 Hz 163 W 1.5 Amp
<b>Service</b>	15 Amp dedicated circuit
<b>Power Connection</b>	NEMA 5-15P with 79" power cord

For detailed installation specifications consult the multiple installation requirements page or each single product installation manual.

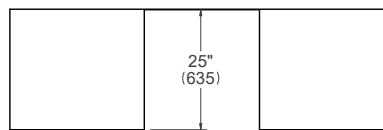
Dimensions in parentheses are millimeters unless otherwise specified.

# 24" Refrigerator Column Panel Installed

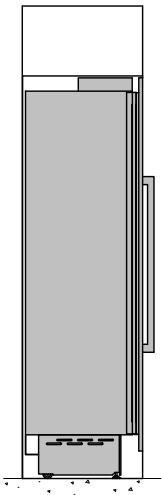
## Flush installation



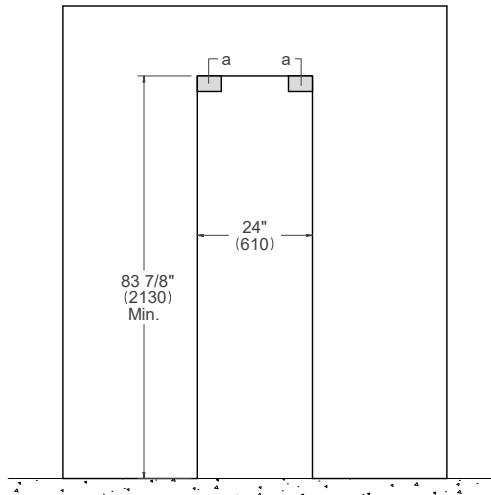
TOP VIEW<sup>b</sup>



SIDE VIEW



FRONT VIEW



(a) Area to be left clear for the anti-tipping brackets – 5 1/2" x 4" (140x100mm)

Dimensions in parentheses are millimeters unless otherwise specified.

b: depth includes kitchen cabinet front panel.

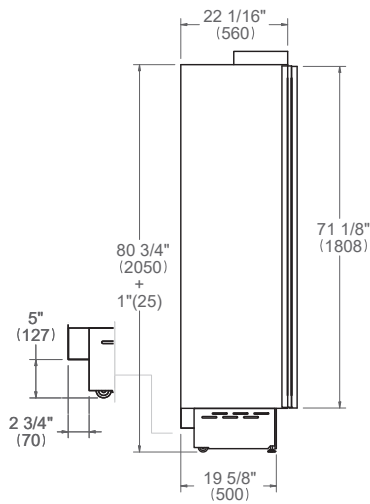
# 24" Refrigerator Column Panel Ready

## Dimensions

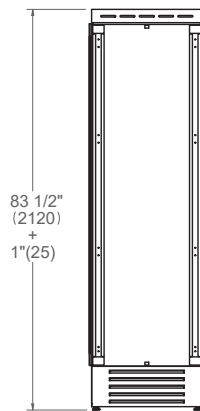


REF24RCPRL/23 left hinge  
 REF24RCPRR/23 right hinge

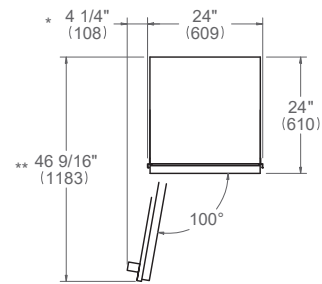
SIDE VIEW



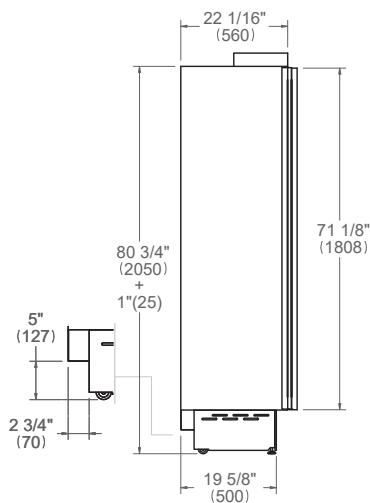
FRONT VIEW



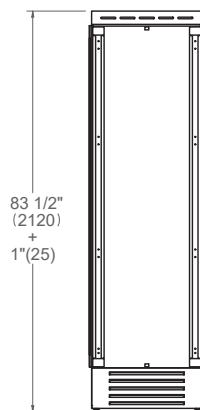
TOP VIEW



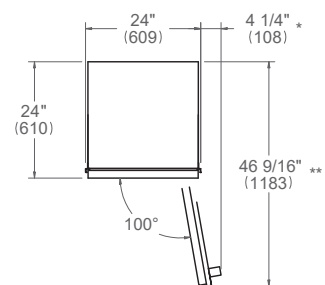
SIDE VIEW



FRONT VIEW



TOP VIEW



\* Maximum Overall Handle Dimension  
 \*\* 3/4" (19mm) Door Panel thickness  
 For custom panel dimensions see page 72  
 For detailed handle dimensions see page 74

Dimensions in parentheses are millimeters unless otherwise specified.

A matching Carbonio panel kit is available - SKU # SP24CC.

# 24" Refrigerator Column Panel Ready

## Installation requirements



### INSTALLATION

All Bertazzoni columns can be installed in a standard 25" depth cutout.  
 Finish the edges of the opening because they may be visible when the door is open.  
 For a built-in installation, to cover gaps between the appliance and the adjacent cabinets, special side profiles are factory-installed and covering frames are provided with the product.  
 For panel ready columns, do not exceed the maximum weight of 75 pounds (34 kg) for door panel. Panel can have thickness ranging between 3/4" (19 mm) and 1 1/8" (28 mm).

**For instructions of product combinations please see the Multiple Installation Section (page 59).**

### CABINET REQUIREMENT

Installation of the appliance must be performed in accordance with the provisions of applicable legislation.  
 Be sure that support of this appliance is perpendicular to the front facing of the wall or cabinet before you perform the installation.  
 The floor must be flat and must be capable of supporting the weight of the appliance when in use.

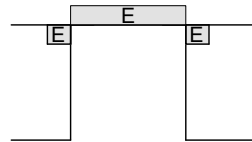
<b>Required floor support</b>	992 lb (450 kg)
-------------------------------	-----------------

For detailed installation specifications consult the multiple installation requirements page or each single product installation manual.

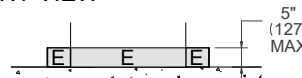
### ELECTRICAL REQUIREMENT

The installation must comply with all applicable electrical codes. A properly-grounded horizontally-mounted electrical receptacle should be installed.  
 Place the electrical supply flush with the back wall and within the shaded area shown in the illustrations.  
 Placement within the opening may require additional cabinet depth.

#### TOP VIEW



#### FRONT VIEW



A separate circuit breaker servicing only this appliance is recommended.

<b>Electrical supply</b>	115 V 60 Hz 163 W 1.5 Amp
<b>Service</b>	15 Amp dedicated circuit
<b>Power Connection</b>	NEMA 5-15P with 79" power cord

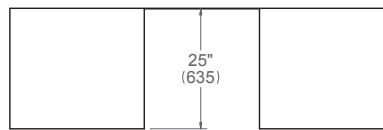
Dimensions in parentheses are millimeters unless otherwise specified.

# 24" Refrigerator Column Panel Ready

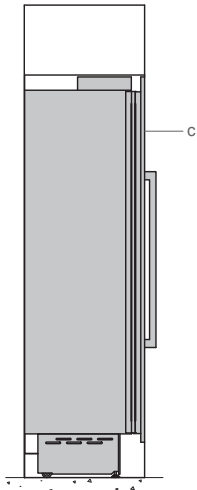
## Flush installation



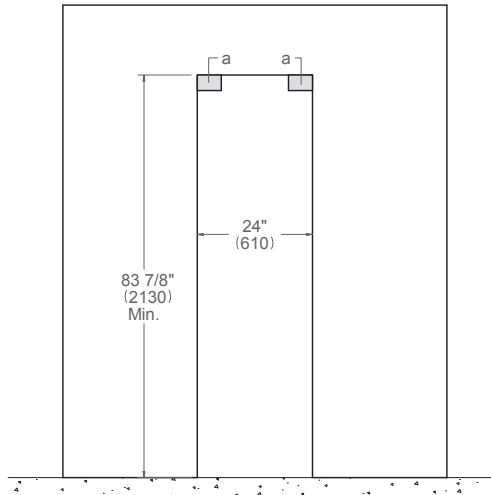
TOP VIEW<sup>b</sup>



SIDE VIEW



FRONT VIEW



- (a) Area to be left clear for the anti-tipping brackets – 5 1/2" x 4" (140x100mm)
- (c) Panel dimensions available on Built-in Food Preservation Design Guide or Installation Manual

Dimensions in parentheses are millimeters unless otherwise specified.

b: depth includes kitchen cabinet front panel.



---

# BUILT-IN FREEZER COLUMNS



---

30" - 24" - 18"  
Panel Ready and  
Panel Installed





# 30" Freezer Column Panel Installed

## Dimensions



REF30FCPIXL/23 left hinge  
 REF30FCPIXR/23 right hinge

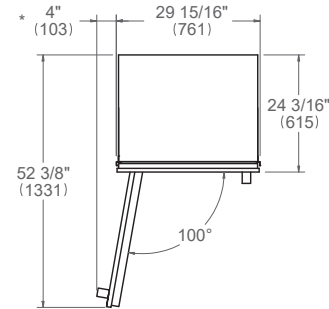
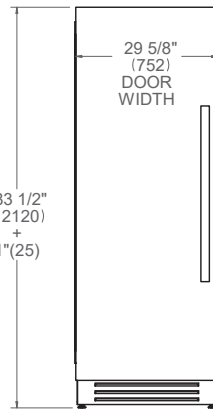
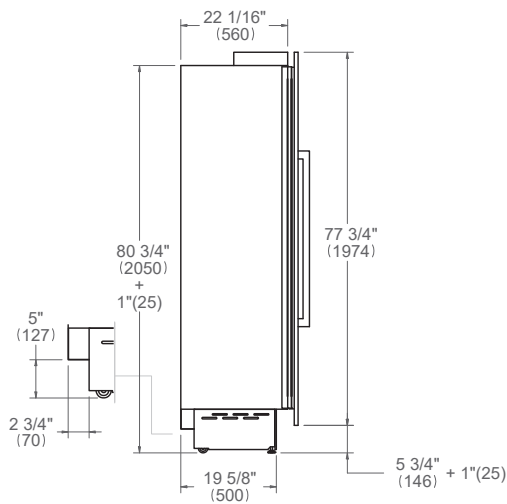
### Handle choices

Professional Series: PROHKCOL  
 Master series: MASHKCOL  
 Heritage Series: HERHKCOL

SIDE VIEW

FRONT VIEW

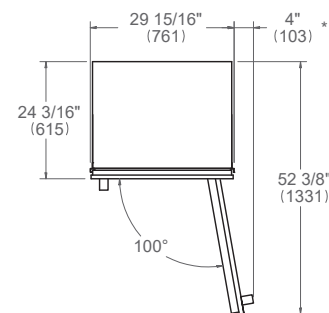
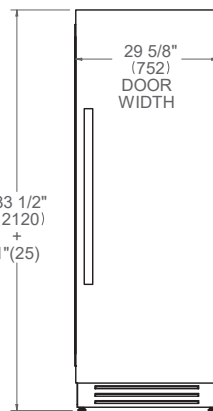
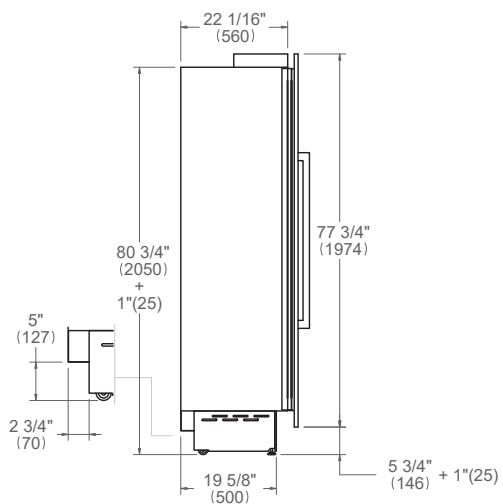
TOP VIEW



SIDE VIEW

FRONT VIEW

TOP VIEW



\* Maximum Overall Handle Dimension  
 For detailed handle dimensions see page 74

Dimensions in parentheses are millimeters unless otherwise specified.

# 30" Freezer Column Panel Installed

## Installation requirements



### INSTALLATION

All Bertazzoni columns can be installed in a standard 25" depth cutout.  
 Finish the edges of the opening because they may be visible when the door is open.  
 For a built-in installation, to cover gaps between the appliance and the adjacent cabinets, special side profiles are factory-installed and covering frames are provided with the product.

**For instructions of product combinations please see the Multiple Installation Section (page 59).**

### CABINET REQUIREMENT

Installation of the appliance must be performed in accordance with the provisions of applicable legislation.  
 Be sure that support of this appliance is perpendicular to the front facing of the wall or cabinet before you perform the installation.  
 The floor must be flat and must be capable of supporting the weight of the appliance when in use.

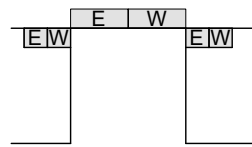
<b>Required floor support</b>	1257 lb (570 kg )
-------------------------------	-------------------

### ELECTRICAL REQUIREMENT

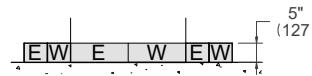
The installation must comply with all applicable electrical codes. A properly-grounded horizontally-mounted electrical receptacle should be installed.  
 Place the electrical supply flush with the back wall and within the shaded area shown in the illustrations.  
 Placement within the opening may require additional cabinet depth.

For detailed installation specifications consult the multiple installation requirements page or each single product installation manual.

### TOP VIEW



### FRONT VIEW



A separate circuit breaker servicing only this appliance is recommended.

<b>Electrical supply</b>	115 V 60 Hz 327 W 3 Amp
<b>Service</b>	15 Amp dedicated circuit
<b>Power Connection</b>	NEMA 5-15P with 79" power cord

### PLUMBING REQUIREMENTS

Bertazzoni Freezer Columns are provided with a water filter assembly which must be mounted outside the unit.  
 The appliance must be connected only to a potable water supply system.  
 To connect to water supply system (for appliances equipped with ice maker) a 1/4" waterline with accessible shut-off valve must be supplied.  
 The solenoid connection on the appliance is 3/4" diameter but is metric threaded (NPT).  
 The system pressure must be between from 8 PSI to 75 PSI (between 0.5 bar and 5 bar). Different pressures can cause malfunctions or leaks in the water system.  
 For information on how to purchase the water filter, please see Use and Maintenance Manual.

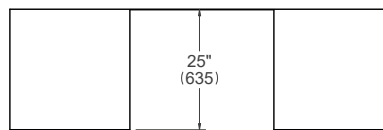
Dimensions in parentheses are millimeters unless otherwise specified.

# 30" Freezer Column Panel Installed

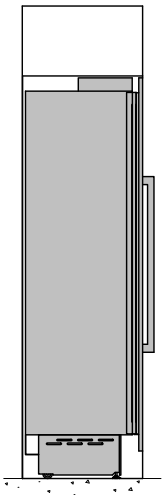
## Flush installation



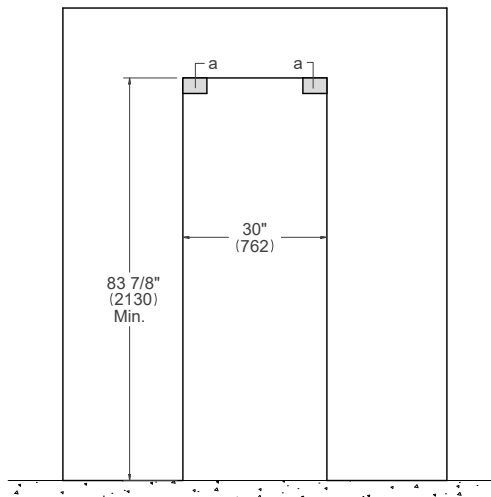
TOP VIEW<sup>b</sup>



SIDE VIEW



FRONT VIEW



(a) Area to be left clear for the anti-tipping brackets – 5 1/2" x 4" (140x100mm)

Dimensions in parentheses are millimeters unless otherwise specified.

b: depth includes kitchen cabinet front panel.

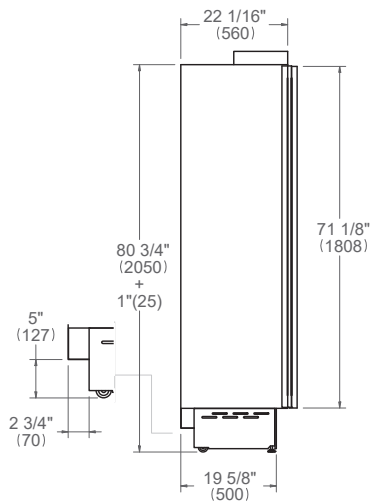
# 30" Freezer Column Panel Ready

## Dimensions

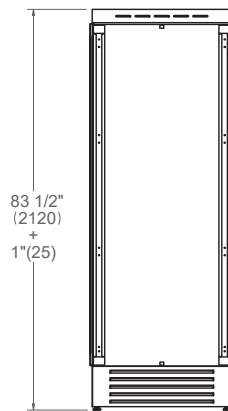


REF30FCPRL/23 left hinge  
REF30FCPRR/23 right hinge

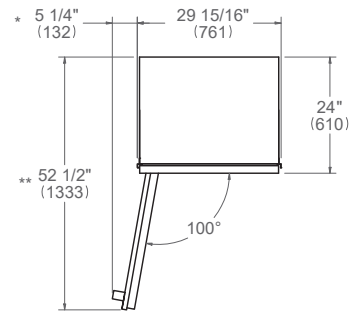
SIDE VIEW



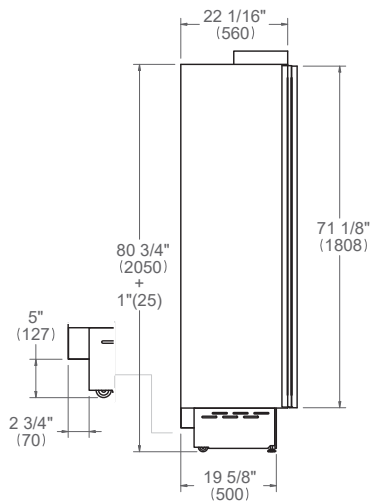
FRONT VIEW



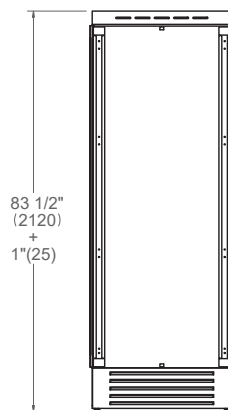
TOP VIEW



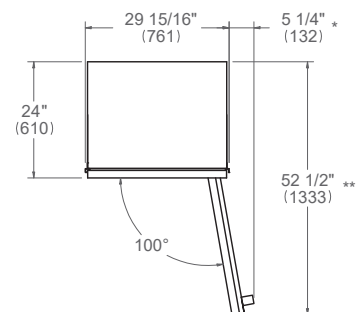
SIDE VIEW



FRONT VIEW



TOP VIEW



\* Maximum Overall Handle Dimension  
\*\* 3/4" (19mm) Door Panel thickness  
For custom panel dimensions see page 72  
For detailed handle dimensions see page 74

Dimensions in parentheses are millimeters unless otherwise specified.

A matching Carbonio panel kit is available - SKU # SP30CC.

# 30" Freezer Column Panel Ready

## Installation requirements



### INSTALLATION

All Bertazzoni columns can be installed in a standard 25" depth cutout.

Finish the edges of the opening because they may be visible when the door is open.

For a built-in installation, to cover gaps between the appliance and the adjacent cabinets, special side profiles are factory-installed and covering frames are provided with the product.

For panel ready columns, do not exceed the maximum weight of 75 pounds (34 kg) for door panel. Panel can have thickness ranging between 3/4" (19 mm) and 1 1/8" (28 mm).

**For instructions of product combinations please see the Multiple Installation Section (page 59).**

### CABINET REQUIREMENT

Installation of the appliance must be performed in accordance with the provisions of applicable legislation.

Be sure that support of this appliance is perpendicular to the front facing of the wall or cabinet before you perform the installation.

The floor must be flat and must be capable of supporting the weight of the appliance when in use.

<b>Required floor support</b>	1257 lb (570 kg)
-------------------------------	------------------

### ELECTRICAL REQUIREMENT

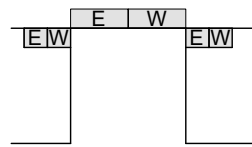
The installation must comply with all applicable electrical codes. A properly-grounded horizontally-mounted electrical receptacle should be installed.

Place the electrical supply flush with the back wall and within the shaded area shown in the illustrations.

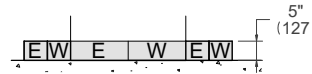
Placement within the opening may require additional cabinet depth.

For detailed installation specifications consult the multiple installation requirements page or each single product installation manual.

### TOP VIEW



### FRONT VIEW



A separate circuit breaker servicing only this appliance is recommended.

<b>Electrical supply</b>	115 V 60 Hz 327 W 3 Amp
<b>Service</b>	15 Amp dedicated circuit
<b>Power Connection</b>	NEMA 5-15P with 79" power cord

### PLUMBING REQUIREMENTS

Bertazzoni Freezer Columns are provided with a water filter assembly which must be mounted outside the unit. The appliance must be connected only to a potable water supply system.

To connect to water supply system (for appliances equipped with ice maker) a 1/4" waterline with accessible shut-off valve must be supplied.

The solenoid connection on the appliance is 3/4" diameter but is metric threaded (NPT).

The system pressure must be between from 8 PSI to 75 PSI (between 0.5 bar and 5 bar). Different pressures can cause malfunctions or leaks in the water system.

For information on how to purchase the water filter, please see Use and Maintenance Manual.

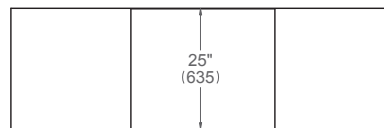
Dimensions in parentheses are millimeters unless otherwise specified.

# 30" Freezer Column Panel Ready

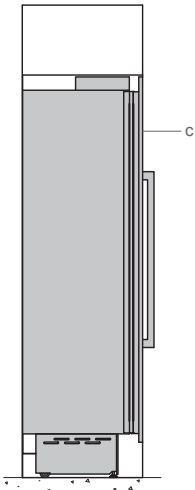
## Flush installation



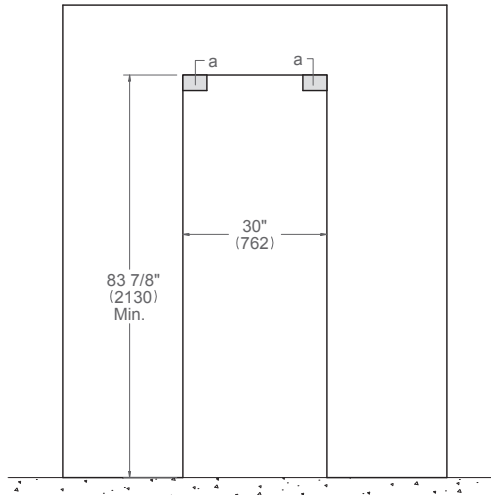
TOP VIEW<sup>b</sup>



SIDE VIEW



FRONT VIEW



- (a) Area to be left clear for the anti-tipping brackets – 5 1/2" x 4" (140x100mm)
- (c) Panel dimensions available on Built-in Food Preservation Design Guide or Installation Manual

Dimensions in parentheses are millimeters unless otherwise specified.

b: depth includes kitchen cabinet front panel.



# 24" Freezer Column Panel Installed

## Dimensions



REF24FCIPIXL/23 left hinge  
 REF24FCIPIXR/23 right hinge

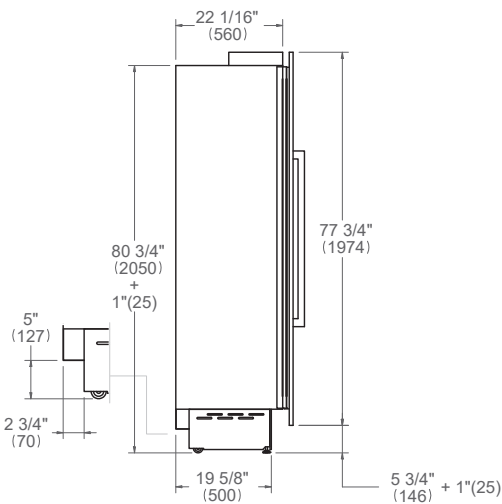
### Handle choices

Professional Series: PROHKCOL

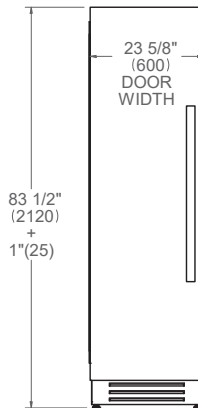
Master series: MASHKCOL

Heritage Series: HERHKCOL

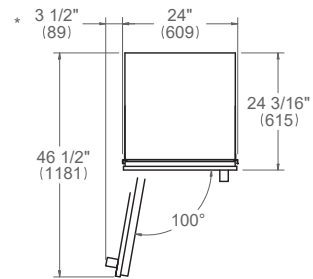
SIDE VIEW



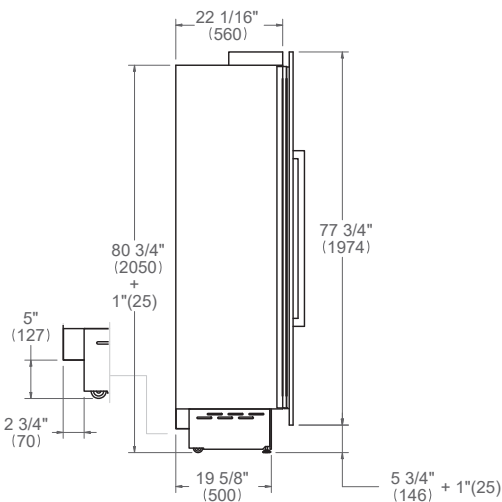
FRONT VIEW



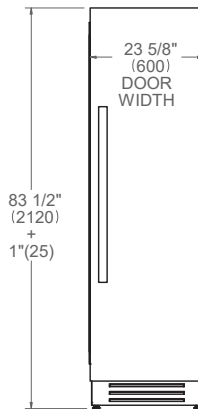
TOP VIEW



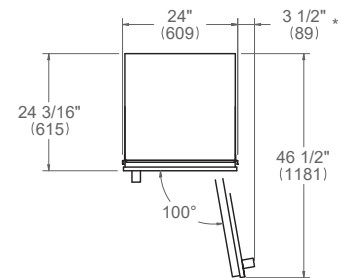
SIDE VIEW



FRONT VIEW



TOP VIEW



\* Maximum Overall Handle Dimension  
 For detailed handle dimensions see page 74

Dimensions in parentheses are millimeters unless otherwise specified.

# 24" Freezer Column Panel Installed

## Installation requirements



### INSTALLATION

All Bertazzoni columns can be installed in a standard 25" depth cutout.

Finish the edges of the opening because they may be visible when the door is open.

For a built-in installation, to cover gaps between the appliance and the adjacent cabinets, special side profiles are factory-installed and covering frames are provided with the product..

**For instructions of product combinations please see the Multiple Installation Section (page 59).**

### CABINET REQUIREMENT

Installation of the appliance must be performed in accordance with the provisions of applicable legislation.

Be sure that support of this appliance is perpendicular to the front facing of the wall or cabinet before you perform the installation.

The floor must be flat and must be capable of supporting the weight of the appliance when in use.

<b>Required floor support</b>	992 lb (450 kg)
-------------------------------	-----------------

### ELECTRICAL REQUIREMENT

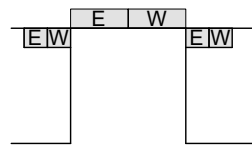
The installation must comply with all applicable electrical codes. A properly-grounded horizontally-mounted electrical receptacle should be installed.

Place the electrical supply flush with the back wall and within the shaded area shown in the illustrations.

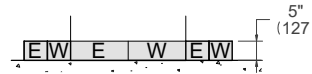
Placement within the opening may require additional cabinet depth.

For detailed installation specifications consult the multiple installation requirements page or each single product installation manual.

### TOP VIEW



### FRONT VIEW



A separate circuit breaker servicing only this appliance is recommended.

<b>Electrical supply</b>	115 V 60 Hz 327 W 3 Amp
<b>Service</b>	15 Amp dedicated circuit
<b>Power Connection</b>	NEMA 5-15P with 79" power cord

### PLUMBING REQUIREMENTS

Bertazzoni Freezer Columns are provided with a water filter assembly which must be mounted outside the unit. The appliance must be connected only to a potable water supply system.

To connect to water supply system (for appliances equipped with ice maker) a 1/4" waterline with accessible shut-off valve must be supplied.

The solenoid connection on the appliance is 3/4" diameter but is metric threaded (NPT).

The system pressure must be between from 8 PSI to 75 PSI (between 0.5 bar and 5 bar). Different pressures can cause malfunctions or leaks in the water system.

For information on how to purchase the water filter, please see Use and Maintenance Manual.

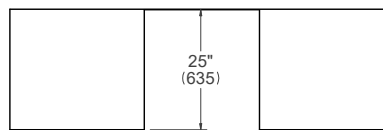
Dimensions in parentheses are millimeters unless otherwise specified.

# 24" Freezer Column Panel Installed

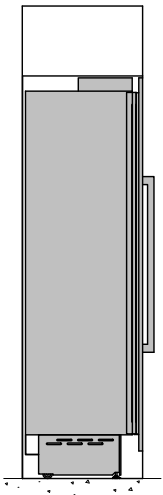
## Flush installation



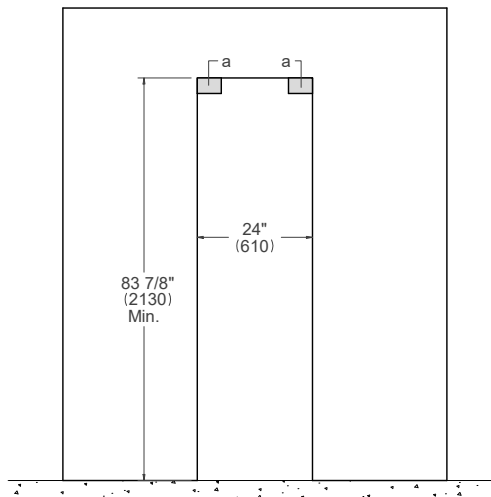
TOP VIEW<sup>b</sup>



SIDE VIEW



FRONT VIEW



(a) Area to be left clear for the anti-tipping brackets – 5 1/2" x 4" (140x100mm)

Dimensions in parentheses are millimeters unless otherwise specified.

b: depth includes kitchen cabinet front panel.

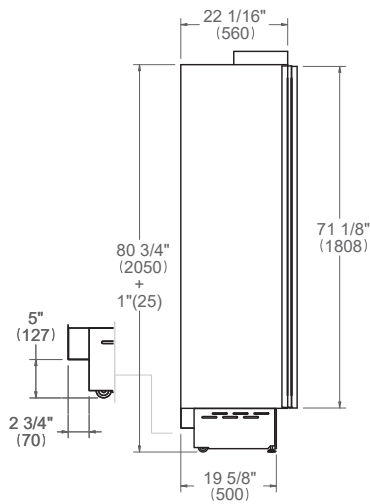
# 24" Freezer Column Panel Ready

## Dimensions

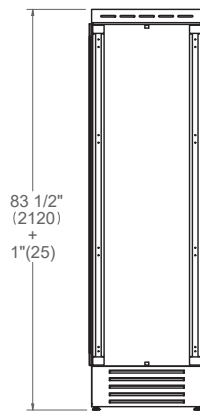


REF24FCIPRL/23 left hinge  
 REF24FCIPRR/23 right hinge

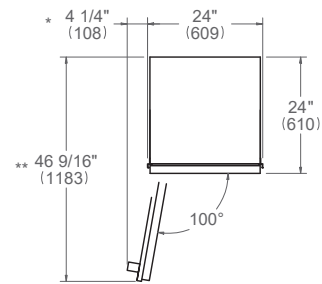
SIDE VIEW



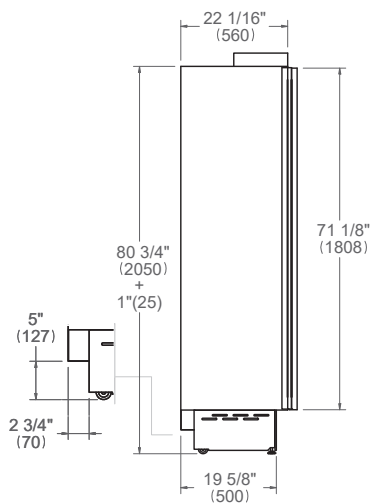
FRONT VIEW



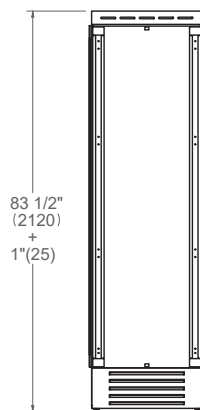
TOP VIEW



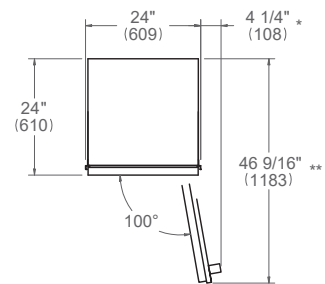
SIDE VIEW



FRONT VIEW



TOP VIEW



\* Maximum Overall Handle Dimension  
 \*\* 3/4" (19mm) Door Panel thickness  
 For custom panel dimensions see page 72  
 For detailed handle dimensions see page 74

Dimensions in parentheses are millimeters unless otherwise specified.

A matching Carbonio panel kit is available - SKU # SP24CC.

# 24" Freezer Column Panel Ready

## Installation requirements



### INSTALLATION

All Bertazzoni columns can be installed in a standard 25" depth cutout.

Finish the edges of the opening because they may be visible when the door is open.

For a built-in installation, to cover gaps between the appliance and the adjacent cabinets, special side profiles are factory-installed and covering frames are provided with the product.

For panel ready columns, do not exceed the maximum weight of 75 pounds (34 kg) for door panel. Panel can have thickness ranging between 3/4" (19 mm) and 1 1/8" (28 mm).

**For instructions of product combinations please see the Multiple Installation Section (page 59).**

### CABINET REQUIREMENT

Installation of the appliance must be performed in accordance with the provisions of applicable legislation.

Be sure that support of this appliance is perpendicular to the front facing of the wall or cabinet before you perform the installation.

The floor must be flat and must be capable of supporting the weight of the appliance when in use.

<b>Required floor support</b>	992 lb (450 kg)
-------------------------------	-----------------

### ELECTRICAL REQUIREMENT

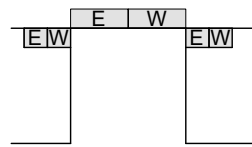
The installation must comply with all applicable electrical codes. A properly-grounded horizontally-mounted electrical receptacle should be installed.

Place the electrical supply flush with the back wall and within the shaded area shown in the illustrations.

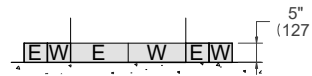
Placement within the opening may require additional cabinet depth.

For detailed installation specifications consult the multiple installation requirements page or each single product installation manual.

### TOP VIEW



### FRONT VIEW



A separate circuit breaker servicing only this appliance is recommended.

<b>Electrical supply</b>	115 V 60 Hz 327 W 3 Amp
<b>Service</b>	15 Amp dedicated circuit
<b>Power Connection</b>	NEMA 5-15P with 79" power cord

### PLUMBING REQUIREMENTS

Bertazzoni Freezer Columns are provided with a water filter assembly which must be mounted outside the unit. The appliance must be connected only to a potable water supply system.

To connect to water supply system (for appliances equipped with ice maker) a 1/4" waterline with accessible shut-off valve must be supplied.

The solenoid connection on the appliance is 3/4" diameter but is metric threaded (NPT).

The system pressure must be between from 8 PSI to 75 PSI (between 0.5 bar and 5 bar). Different pressures can cause malfunctions or leaks in the water system.

For information on how to purchase the water filter, please see Use and Maintenance Manual.

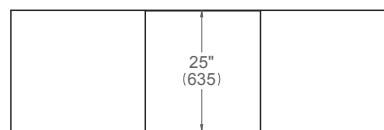
Dimensions in parentheses are millimeters unless otherwise specified.

# 24" Freezer Column Panel Ready

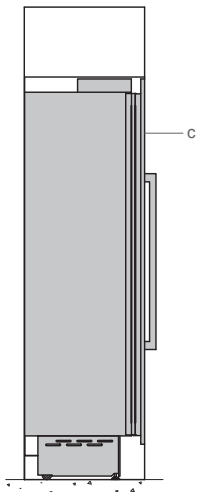
## Flush installation



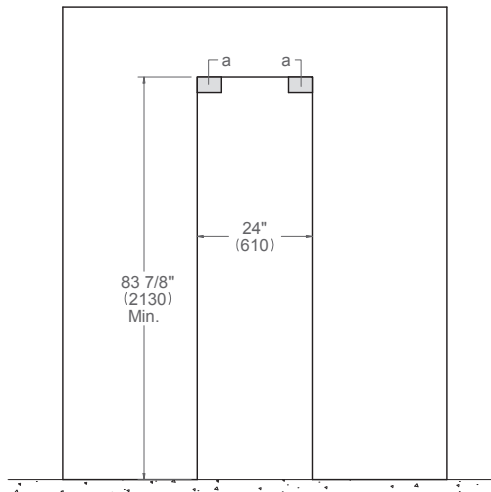
TOP VIEW<sup>b</sup>



SIDE VIEW



FRONT VIEW



- (a) Area to be left clear for the anti-tipping brackets – 5 1/2" x 4" (140x100mm)
- (c) Panel dimensions available on Built-in Food Preservation Design Guide or Installation Manual

Dimensions in parentheses are millimeters unless otherwise specified.

b: depth includes kitchen cabinet front panel.

# 18" Freezer Column Panel Installed

## Dimensions



REF18FCIPIXL/23 left hinge  
REF18FCIPIXR/23 right hinge

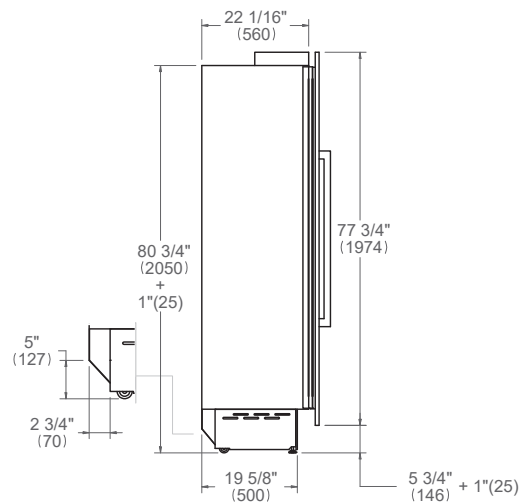
### Handle choices

Professional Series: PROHKCOL

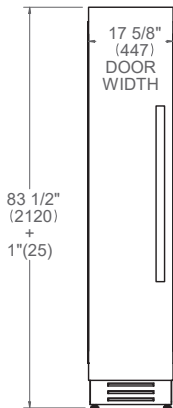
Master series: MASHKCOL

Heritage Series: HERHKCOL

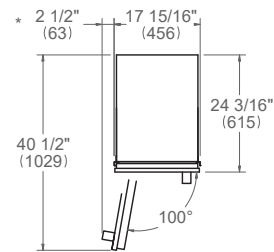
SIDE VIEW



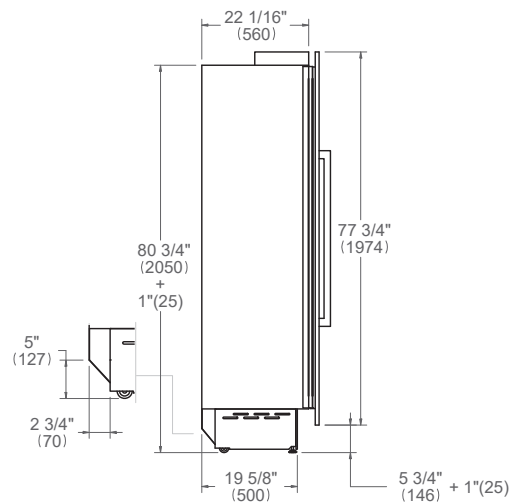
FRONT VIEW



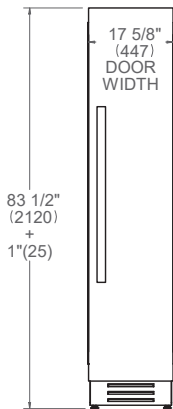
TOP VIEW



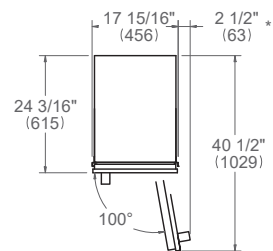
SIDE VIEW



FRONT VIEW



TOP VIEW



\* Maximum Overall Handle Dimension  
For detailed handle dimensions see page 74

Dimensions in parentheses are millimeters unless otherwise specified.

# 18" Freezer Column Panel Installed

## Installation requirements



### INSTALLATION

All Bertazzoni columns can be installed in a standard 25" depth cutout.  
 Finish the edges of the opening because they may be visible when the door is open.  
 For a built-in installation, to cover gaps between the appliance and the adjacent cabinets, special side profiles are factory-installed and covering frames are provided with the product.

**For instructions of product combinations please see the Multiple Installation Section (page 59).**

### CABINET REQUIREMENT

Installation of the appliance must be performed in accordance with the provisions of applicable legislation.  
 Be sure that support of this appliance is perpendicular to the front facing of the wall or cabinet before you perform the installation.  
 The floor must be flat and must be capable of supporting the weight of the appliance when in use.

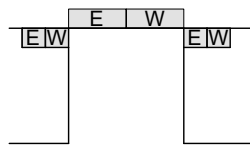
<b>Required floor support</b>	694 lb (315 kg)
-------------------------------	-----------------

### ELECTRICAL REQUIREMENT

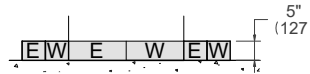
The installation must comply with all applicable electrical codes. A properly-grounded horizontally-mounted electrical receptacle should be installed.  
 Place the electrical supply flush with the back wall and within the shaded area shown in the illustrations.  
 Placement within the opening may require additional cabinet depth.

For detailed installation specifications consult the multiple installation requirements page or each single product installation manual.

### TOP VIEW



### FRONT VIEW



A separate circuit breaker servicing only this appliance is recommended.

<b>Electrical supply</b>	115 V 60 Hz 327 W 3 Amp
<b>Service</b>	15 Amp dedicated circuit
<b>Power Connection</b>	NEMA 5-15P with 79" power cord

### PLUMBING REQUIREMENTS

Bertazzoni Freezer Columns are provided with a water filter assembly which must be mounted outside the unit.  
 The appliance must be connected only to a potable water supply system.  
 To connect to water supply system (for appliances equipped with ice maker) a 1/4" waterline with accessible shut-off valve must be supplied.  
 The solenoid connection on the appliance is 3/4" diameter but is metric threaded (NPT).  
 The system pressure must be between from 8 PSI to 75 PSI (between 0.5 bar and 5 bar). Different pressures can cause malfunctions or leaks in the water system.  
 For information on how to purchase the water filter, please see Use and Maintenance Manual.

Dimensions in parentheses are millimeters unless otherwise specified.

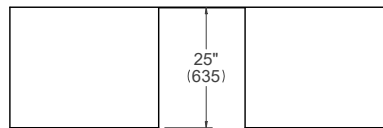


# 18" Freezer Column Panel Installed

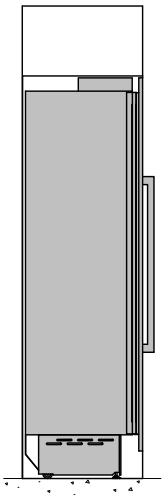
## Flush installation



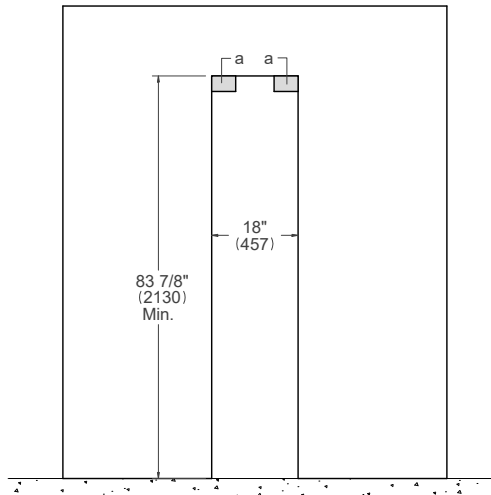
TOP VIEW<sup>b</sup>



SIDE VIEW



FRONT VIEW



(a) Area to be left clear for the anti-tipping brackets – 5 1/2" x 4" (140x100mm)

Dimensions in parentheses are millimeters unless otherwise specified.

b: depth includes kitchen cabinet front panel.

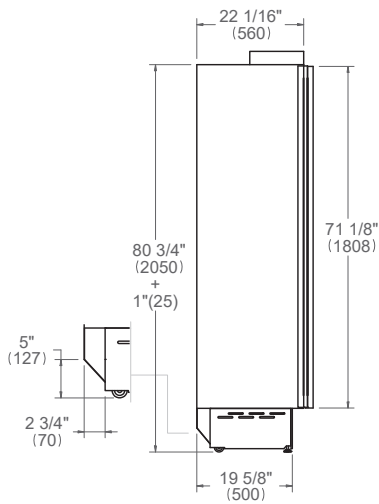
# 18" Freezer Column Panel Ready

## Dimensions

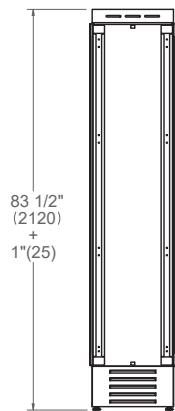


REF18FCIPRL/23 left hinge  
REF18FCIPRR/23 right hinge

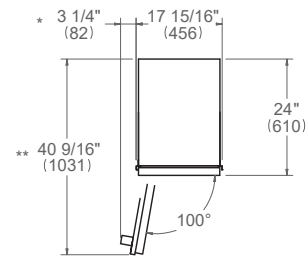
SIDE VIEW



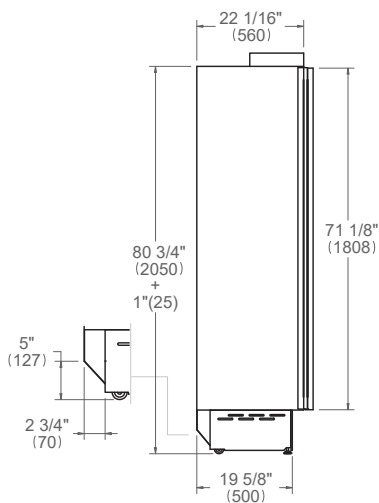
FRONT VIEW



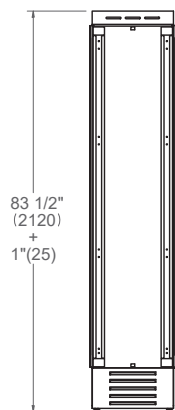
TOP VIEW



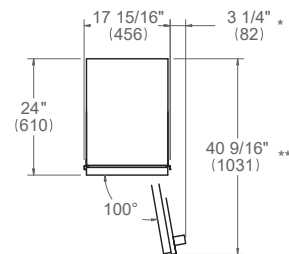
SIDE VIEW



FRONT VIEW



TOP VIEW



\* Maximum Overall Handle Dimension  
\*\* 3/4" (19mm) Door Panel thickness  
For custom panel dimensions see page 72  
For detailed handle dimensions see page 74

Dimensions in parentheses are millimeters unless otherwise specified.

A matching Carbonio panel kit is available - SKU # SP18CC.

# 18" Freezer Column Panel Ready

## Installation requirements



### INSTALLATION

All Bertazzoni columns can be installed in a standard 25" depth cutout.  
 Finish the edges of the opening because they may be visible when the door is open.  
 For a built-in installation, to cover gaps between the appliance and the adjacent cabinets, special side profiles are factory-installed and covering frames are provided with the product.  
 For panel ready columns, do not exceed the maximum weight of 75 pounds (34 kg) for door panel. Panel can have thickness ranging between 3/4" (19 mm) and 1 1/8" (28 mm).

**For instructions of product combinations please see the Multiple Installation Section (page 59).**

### CABINET REQUIREMENT

Installation of the appliance must be performed in accordance with the provisions of applicable legislation.  
 Be sure that support of this appliance is perpendicular to the front facing of the wall or cabinet before you perform the installation.  
 The floor must be flat and must be capable of supporting the weight of the appliance when in use.

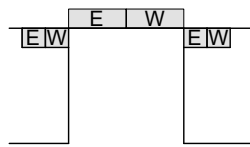
<b>Required floor support</b>	694 lb (315 kg)
-------------------------------	-----------------

### ELECTRICAL REQUIREMENT

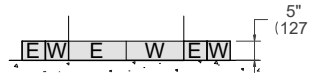
The installation must comply with all applicable electrical codes. A properly-grounded horizontally-mounted electrical receptacle should be installed.  
 Place the electrical supply flush with the back wall and within the shaded area shown in the illustrations.  
 Placement within the opening may require additional cabinet depth.

For detailed installation specifications consult the multiple installation requirements page or each single product installation manual.

### TOP VIEW



### FRONT VIEW



A separate circuit breaker servicing only this appliance is recommended.

<b>Electrical supply</b>	115 V 60 Hz 327 W 3 Amp
<b>Service</b>	15 Amp dedicated circuit
<b>Power Connection</b>	NEMA 5-15P with 79" power cord

### PLUMBING REQUIREMENTS

Bertazzoni Freezer Columns are provided with a water filter assembly which must be mounted outside the unit.  
 The appliance must be connected only to a potable water supply system.  
 To connect to water supply system (for appliances equipped with ice maker) a 1/4" waterline with accessible shut-off valve must be supplied.  
 The solenoid connection on the appliance is 3/4" diameter but is metric threaded (NPT).  
 The system pressure must be between from 8 PSI to 75 PSI (between 0.5 bar and 5 bar). Different pressures can cause malfunctions or leaks in the water system.  
 For information on how to purchase the water filter, please see Use and Maintenance Manual.

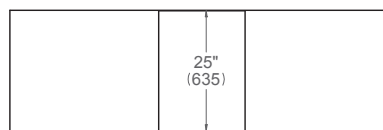
Dimensions in parentheses are millimeters unless otherwise specified.

# 18" Freezer Column Panel Ready

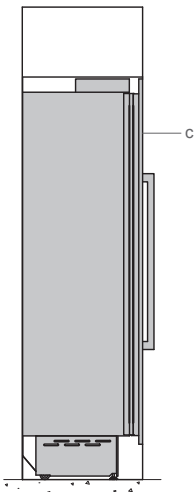
## Flush installation



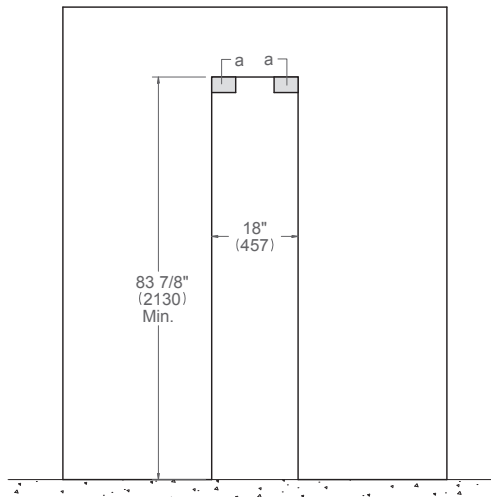
TOP VIEW<sup>b</sup>



SIDE VIEW



FRONT VIEW



- (a) Area to be left clear for the anti-tipping brackets – 5 1/2" x 4" (140x100mm)
- (c) Panel dimensions available on Built-in Food Preservation Design Guide or Installation Manual

Dimensions in parentheses are millimeters unless otherwise specified.

b: depth includes kitchen cabinet front panel.

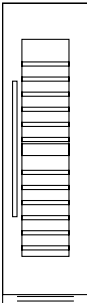
---

# BUILT-IN WINE COLUMNS



---

24" - 18"  
Panel Ready and  
Panel Installed





FUNZIONI  
+ 54 °F  
IMPOSTAZIONI  
+ 46 °F

# 24" Wine Column Panel Installed

## Dimensions



REF24WCPIXL/23 left hinge  
 REF24WCPIXR/23 right hinge

### Handle choices

Professional Series: PROHKCOL

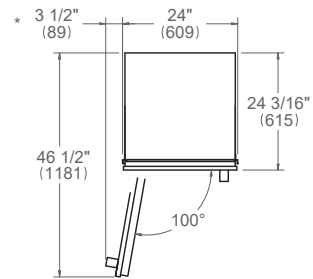
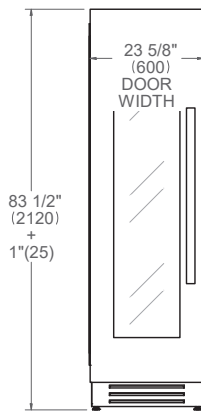
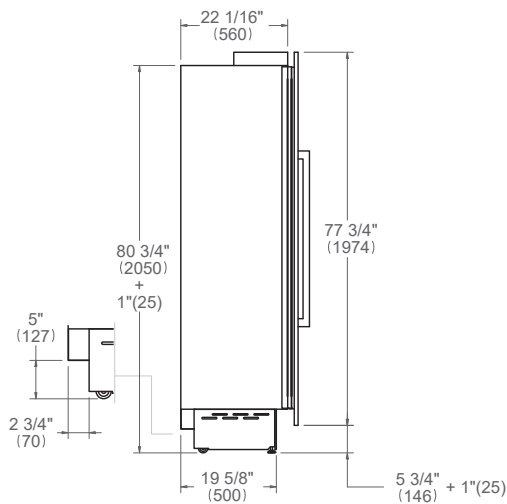
Master series: MASHKCOL

Heritage Series: HERHKCOL

SIDE VIEW

FRONT VIEW

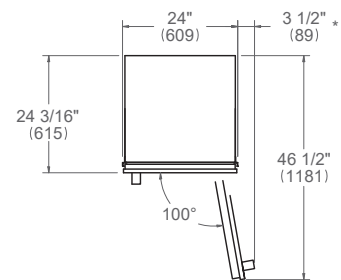
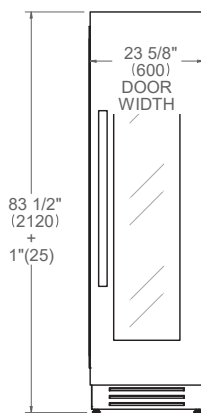
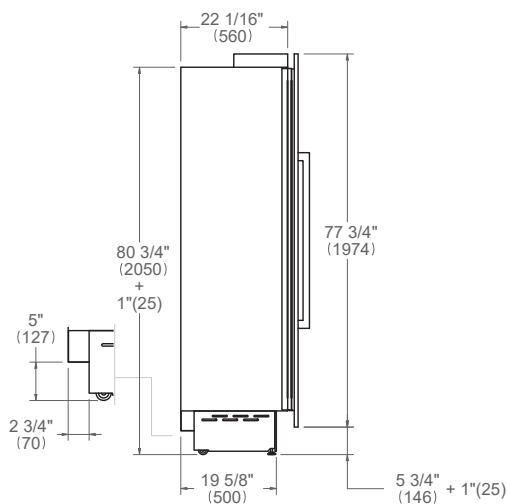
TOP VIEW



SIDE VIEW

FRONT VIEW

TOP VIEW



\* Maximum Overall Handle Dimension  
 For detailed handle dimensions see page 74

Dimensions in parentheses are millimeters unless otherwise specified.

# 24" Wine Column Panel Installed

## Installation requirements



### INSTALLATION

All Bertazzoni columns can be installed in a standard 25" depth cutout.  
 Finish the edges of the opening because they may be visible when the door is open.  
 For a built-in installation, to cover gaps between the appliance and the adjacent cabinets, special side profiles are factory-installed and covering frames are provided with the product.

**For instructions of product combinations please see the Multiple Installation Section (page 59).**

### CABINET REQUIREMENT

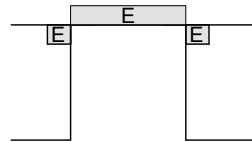
Installation of the appliance must be performed in accordance with the provisions of applicable legislation.  
 Be sure that support of this appliance is perpendicular to the front facing of the wall or cabinet before you perform the installation.  
 The floor must be flat and must be capable of supporting the weight of the appliance when in use.

<b>Required floor support</b>	992 lb (450 kg)
-------------------------------	-----------------

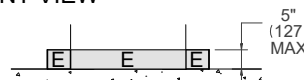
### ELECTRICAL REQUIREMENT

The installation must comply with all applicable electrical codes. A properly-grounded horizontally-mounted electrical receptacle should be installed.  
 Place the electrical supply flush with the back wall and within the shaded area shown in the illustrations.  
 Placement within the opening may require additional cabinet depth.

#### TOP VIEW



#### FRONT VIEW



A separate circuit breaker servicing only this appliance is recommended.

<b>Electrical supply</b>	115 V 60 Hz 152 W 1.4 Amp
<b>Service</b>	15 Amp dedicated circuit
<b>Power Connection</b>	NEMA 5-15P with 79" power cord

For detailed installation specifications consult the multiple installation requirements page or each single product installation manual.

Dimensions in parentheses are millimeters unless otherwise specified.

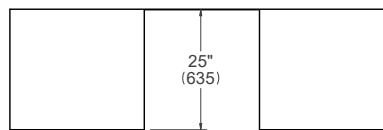


# 24" Wine Column Panel Installed

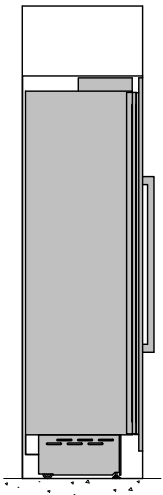
## Flush installation



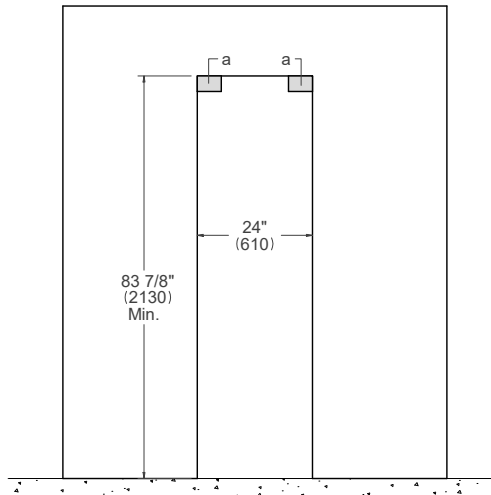
TOP VIEW<sup>b</sup>



SIDE VIEW



FRONT VIEW



(a) Area to be left clear for the anti-tipping brackets – 5 1/2" x 4" (140x100mm)

Dimensions in parentheses are millimeters unless otherwise specified.

b: depth includes kitchen cabinet front panel.

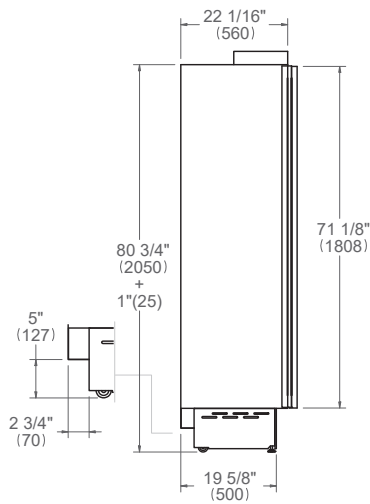
# 24" Wine Column Panel Ready

## Dimensions

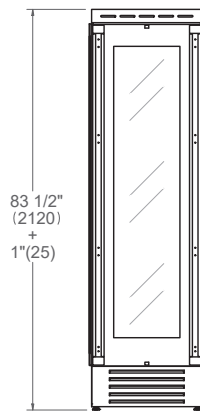


REF24WCPRL/23 left hinge  
REF24WCPRR/23 right hinge

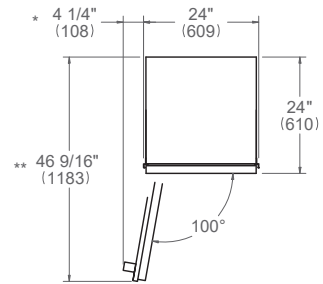
SIDE VIEW



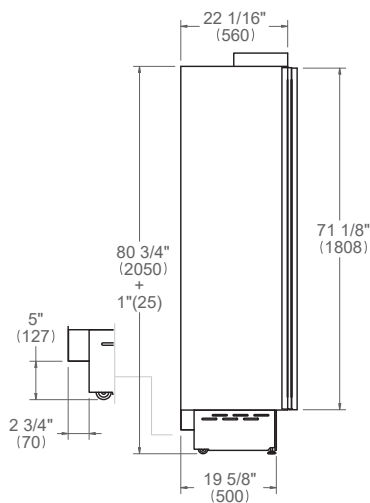
FRONT VIEW



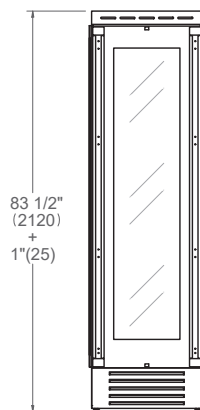
TOP VIEW



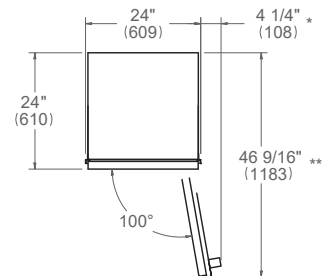
SIDE VIEW



FRONT VIEW



TOP VIEW



\* Maximum Overall Handle Dimension  
\*\* 3/4" (19mm) Door Panel thickness  
For custom panel dimensions see page 72  
For detailed handle dimensions see page 74

Dimensions in parentheses are millimeters unless otherwise specified.  
For custom panel dimensions and window cutout see page 69.  
A matching Carbonio panel kit is available - SKU # SP24WCC

# 24" Wine Column Panel Ready

## Installation requirements



### INSTALLATION

All Bertazzoni columns can be installed in a standard 25" depth cutout.

Finish the edges of the opening because they may be visible when the door is open.

For a built-in installation, to cover gaps between the appliance and the adjacent cabinets, special side profiles are factory-installed and covering frames are provided with the product.

For panel ready columns, do not exceed the maximum weight of 75 pounds (34 kg) for door panel. Panel can have thickness ranging between 3/4" (19 mm) and 1 1/8" (28 mm).

**For instructions of product combinations please see the Multiple Installation Section (page 59).**

### CABINET REQUIREMENT

Installation of the appliance must be performed in accordance with the provisions of applicable legislation.

Be sure that support of this appliance is perpendicular to the front facing of the wall or cabinet before you perform the installation.

The floor must be flat and must be capable of supporting the weight of the appliance when in use.

<b>Required floor support</b>	992 lb (450 kg)
-------------------------------	-----------------

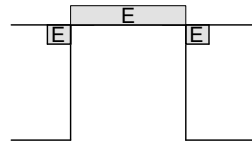
### ELECTRICAL REQUIREMENT

The installation must comply with all applicable electrical codes. A properly-grounded horizontally-mounted electrical receptacle should be installed.

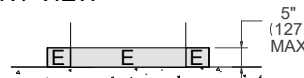
Place the electrical supply flush with the back wall and within the shaded area shown in the illustrations.

Placement within the opening may require additional cabinet depth.

#### TOP VIEW



#### FRONT VIEW



A separate circuit breaker servicing only this appliance is recommended.

<b>Electrical supply</b>	115 V 60 Hz 152 W 1.4 Amp
<b>Service</b>	15 Amp dedicated circuit
<b>Power Connection</b>	NEMA 5-15P with 79" power cord

For detailed installation specifications consult the multiple installation requirements page or each single product installation manual.

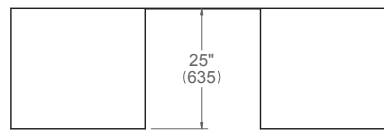
Dimensions in parentheses are millimeters unless otherwise specified.

# 24" Wine Column Panel Ready

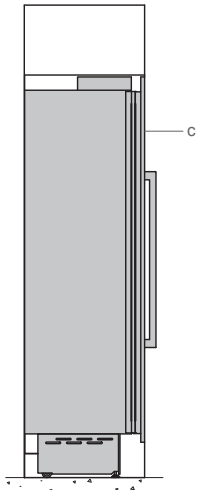
## Flush installation



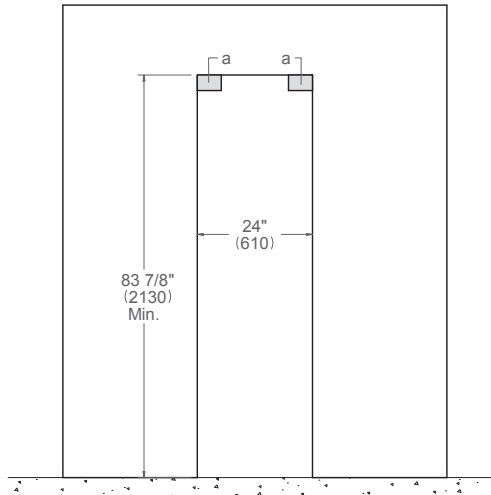
TOP VIEW <sup>b</sup>



SIDE VIEW



FRONT VIEW



- (a) Area to be left clear for the anti-tipping brackets – 5 1/2" x 4" (140x100mm)
- (c) Panel dimensions available on Built-in Food Preservation Design Guide or Installation Manual

Dimensions in parentheses are millimeters unless otherwise specified.

b: depth includes kitchen cabinet front panel.

# 18" Wine Column Panel Installed

## Dimensions



REF18WCPIXL/23 left hinge  
REF18WCPIXR/23 right hinge

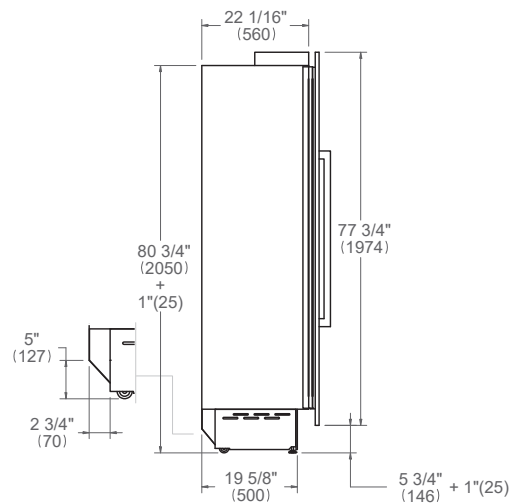
### Handle choices

Professional Series: PROHKCOL

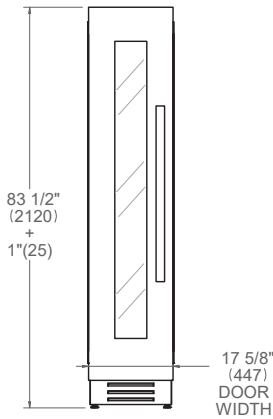
Master series: MASHKCOL

Heritage Series: HERHKCOL

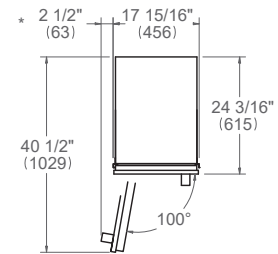
SIDE VIEW



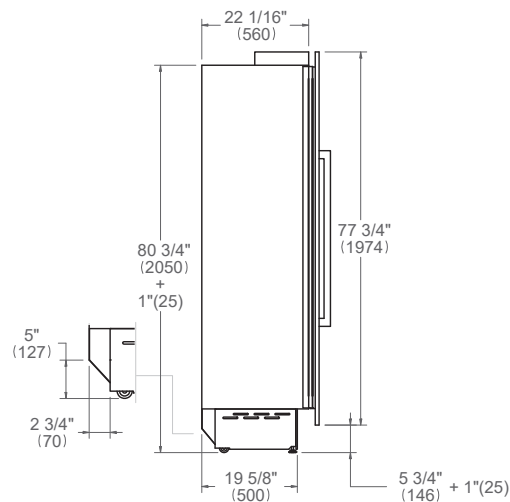
FRONT VIEW



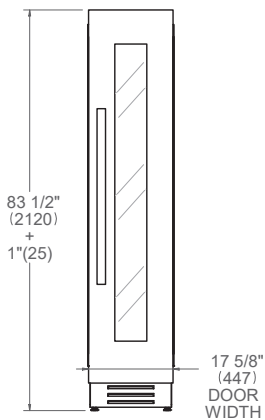
TOP VIEW



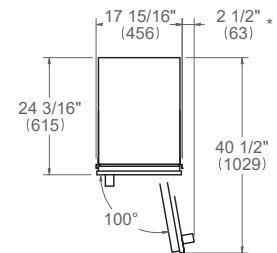
SIDE VIEW



FRONT VIEW



TOP VIEW



\* Maximum Overall Handle Dimension  
For detailed handle dimensions see page 74

Dimensions in parentheses are millimeters unless otherwise specified.

# 18" Wine Column Panel Installed

## Installation requirements



### INSTALLATION

All Bertazzoni columns can be installed in a standard 25" depth cutout.  
 Finish the edges of the opening because they may be visible when the door is open.  
 For a built-in installation, to cover gaps between the appliance and the adjacent cabinets, special side profiles are factory-installed and covering frames are provided with the product.

**For instructions of product combinations please see the Multiple Installation Section (page 59).**

### CABINET REQUIREMENT

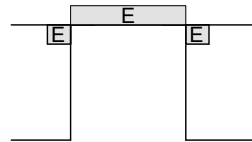
Installation of the appliance must be performed in accordance with the provisions of applicable legislation.  
 Be sure that support of this appliance is perpendicular to the front facing of the wall or cabinet before you perform the installation.  
 The floor must be flat and must be capable of supporting the weight of the appliance when in use.

<b>Required floor support</b>	694 lb (315 kg)
-------------------------------	-----------------

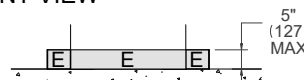
### ELECTRICAL REQUIREMENT

The installation must comply with all applicable electrical codes. A properly-grounded horizontally-mounted electrical receptacle should be installed.  
 Place the electrical supply flush with the back wall and within the shaded area shown in the illustrations.  
 Placement within the opening may require additional cabinet depth.

#### TOP VIEW



#### FRONT VIEW



A separate circuit breaker servicing only this appliance is recommended.

<b>Electrical supply</b>	115 V 60 Hz 152 W 1.4 Amp
<b>Service</b>	15 Amp dedicated circuit
<b>Power Connection</b>	NEMA 5-15P with 79" power cord

For detailed installation specifications consult the multiple installation requirements page or each single product installation manual.

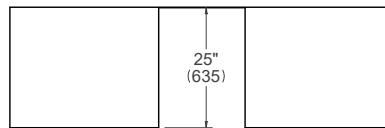
Dimensions in parentheses are millimeters unless otherwise specified.

# 18" Wine Column Panel Installed

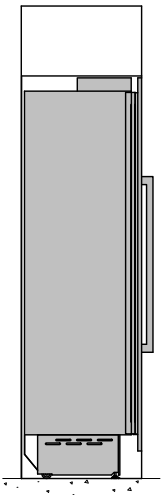
## Flush installation



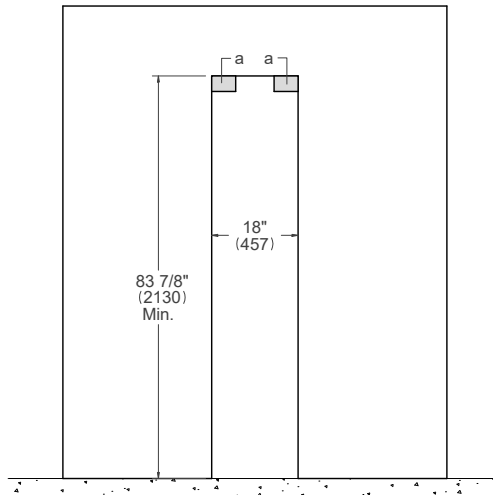
TOP VIEW<sup>b</sup>



SIDE VIEW



FRONT VIEW



(a) Area to be left clear for the anti-tipping brackets – 5 1/2" x 4" (140x100mm)

Dimensions in parentheses are millimeters unless otherwise specified.

b: depth includes kitchen cabinet front panel.

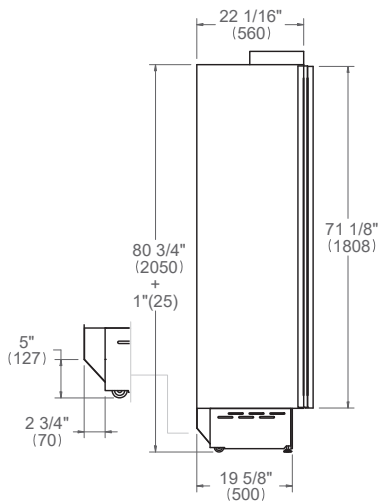
# 18" Wine Column Panel Ready

## Dimensions

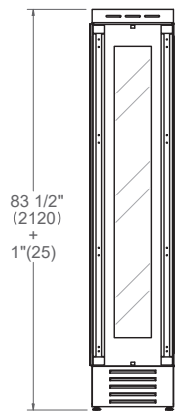


REF18WCPRL/23 left hinge  
 REF18WCPRR/23 right hinge

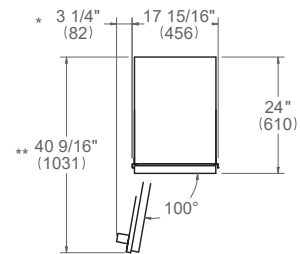
SIDE VIEW



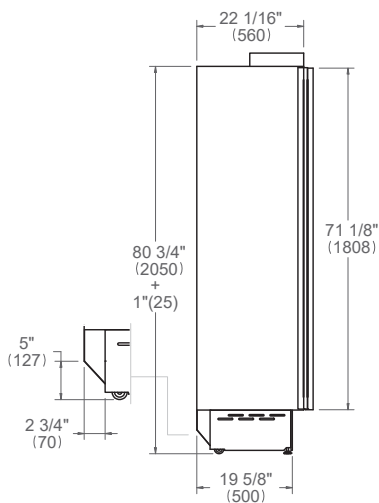
FRONT VIEW



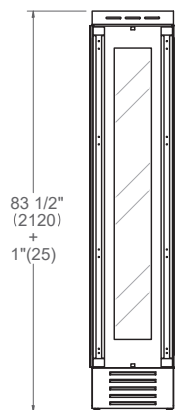
TOP VIEW



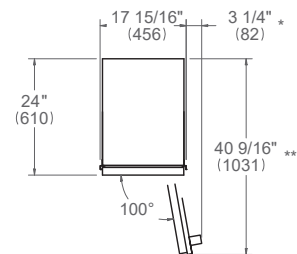
SIDE VIEW



FRONT VIEW



TOP VIEW



\* Maximum Overall Handle Dimension  
 \*\* 3/4" (19mm) Door Panel thickness  
 For custom panel dimensions see page 72  
 For detailed handle dimensions see page 74

Dimensions in parentheses are millimeters unless otherwise specified.  
 For custom panel dimensions and window cutout see page 69.  
 A matching Carbonio panel kit is available - SKU # SP18WCC.



# 18" Wine Column Panel Ready

## Installation requirements



### INSTALLATION

All Bertazzoni columns can be installed in a standard 25" depth cutout.  
 Finish the edges of the opening because they may be visible when the door is open.  
 For a built-in installation, to cover gaps between the appliance and the adjacent cabinets, special side profiles are factory-installed and covering frames are provided with the product.  
 For panel ready columns, do not exceed the maximum weight of 75 pounds (34 kg) for door panel. Panel can have thickness ranging between 3/4" (19 mm) and 1 1/8" (28 mm).

**For instructions of product combinations please see the Multiple Installation Section (page 59).**

### CABINET REQUIREMENT

Installation of the appliance must be performed in accordance with the provisions of applicable legislation.  
 Be sure that support of this appliance is perpendicular to the front facing of the wall or cabinet before you perform the installation.  
 The floor must be flat and must be capable of supporting the weight of the appliance when in use.

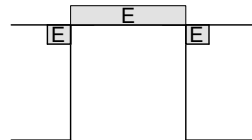
<b>Required floor support</b>	694 lb (315 kg)
-------------------------------	-----------------

For detailed installation specifications consult the multiple installation requirements page or each single product installation manual.

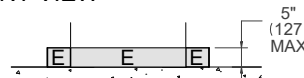
### ELECTRICAL REQUIREMENT

The installation must comply with all applicable electrical codes. A properly-grounded horizontally-mounted electrical receptacle should be installed.  
 Place the electrical supply flush with the back wall and within the shaded area shown in the illustrations.  
 Placement within the opening may require additional cabinet depth.

#### TOP VIEW



#### FRONT VIEW



A separate circuit breaker servicing only this appliance is recommended.

<b>Electrical supply</b>	115 V 60 Hz 152 W 1.4 Amp
<b>Service</b>	15 Amp dedicated circuit
<b>Power Connection</b>	NEMA 5-15P with 79" power cord

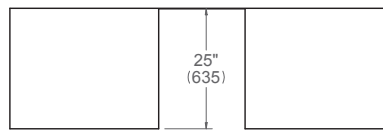
Dimensions in parentheses are millimeters unless otherwise specified.

# 18" Wine Column Panel Ready

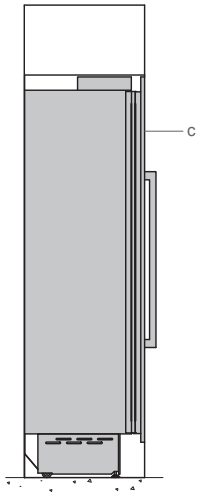
## Flush installation



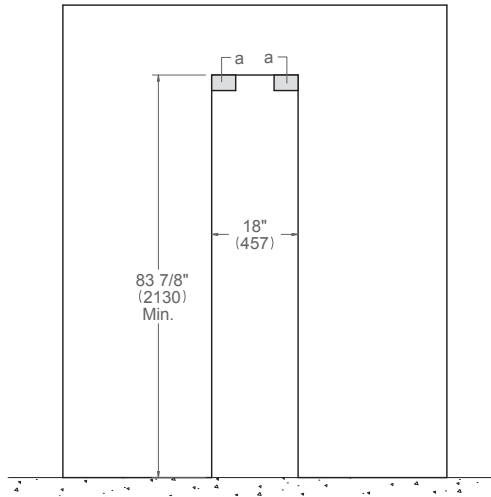
TOP VIEW<sup>b</sup>



SIDE VIEW



FRONT VIEW



- (a) Area to be left clear for the anti-tipping brackets – 5 1/2" x 4" (140x100mm)
- (c) Panel dimensions available on Built-in Food Preservation Design Guide or Installation Manual

Dimensions in parentheses are millimeters unless otherwise specified.

b: depth includes kitchen cabinet front panel.

---

# COLUMNS MULTIPLE INSTALLATIONS





# Multiple installations

## Installation requirements



### INSTALLATION

All Bertazzoni columns can be installed in a standard 25" depth cutout.

Finish the edges of the opening because they may be visible when the door is open.

For a built-in installation, to cover gaps between the appliances and the adjacent cabinets, special side profiles are factory-installed and covering frames are provided with the product.

For panel ready columns, do not exceed the maximum weight of 75 pounds (34 kg) for door panel. Panel can have thickness ranging between 3/4" (19 mm) and 1 1/8" (28 mm).

**For instructions of product combinations please see the Multiple Installation Section (page 59).**

### CABINET REQUIREMENT

Installation of the appliances must be performed in accordance with the provisions of applicable legislation. Be sure that support of these appliances is perpendicular to the front facing of the wall or cabinet before you perform the installation.

The floor must be flat and must be capable of supporting the weight of all the appliances when in use. Please see any single product installation manual for required floor support.

### ELECTRICAL REQUIREMENT

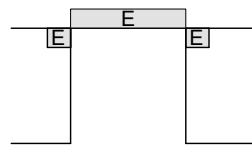
The installation must comply with all applicable electrical codes. A properly-grounded horizontally-mounted electrical receptacle should be installed.

Place the electrical supply flush with the back wall and within the shaded area shown in the illustrations.

Placement within the opening may require additional cabinet depth.

For detailed installation specifications consult the multiple installation requirements page or each single product installation manual.

### TOP VIEW



### FRONT VIEW



A separate 10 Amp circuit breaker servicing only these appliances is recommended.

### PLUMBING REQUIREMENTS

Bertazzoni Freezer Columns are provided with a water filter assembly which must be mounted outside the unit. The appliance must be connected only to a potable water supply system.

To connect to water supply system (for appliances equipped with ice maker) a 1/4" waterline with accessible shut-off valve must be supplied.

The solenoid connection on the appliance is 3/4" diameter but is metric threaded (NPT).

The system pressure must be between from 8 PSI to 75 PSI (between 0.5 bar and 5 bar). Different pressures can cause malfunctions or leaks in the water system.

For information on how to purchase the water filter, please see Use and Maintenance Manual.

Dimensions in parentheses are millimeters unless otherwise specified.

# 42" Double Configurations

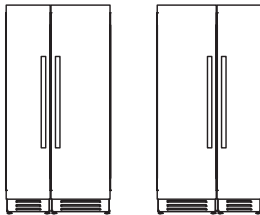
## Flush installation



### POSSIBLE COMBINATIONS <sup>c</sup>

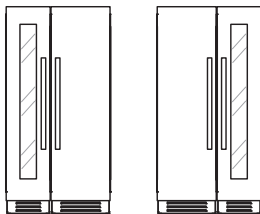
REF24RCPIX(L/R)/23  
REF18FCPIX(L/R)/23

REF24RCPR(L/R)/23  
REF18FCIPR(L/R)/23

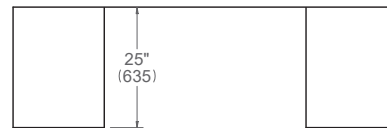


REF24RCPIX(L/R)/23  
REF18WCPIX(L/R)/23

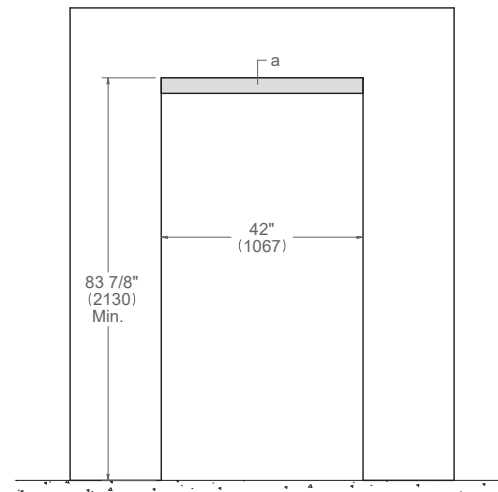
REF24RCPR(L/R)/23  
REF18FCIPR(L/R)/23



### TOP VIEW <sup>b</sup>



### FRONT VIEW



(a) Area to be left clear for the anti-tipping brackets – 42"x4" (1067x100mm)

All Freezer and Wine Columns are supplied with a vertical connector trim for multiple columns installations. No additional accessories are needed.

Dimensions in parentheses are millimeters unless otherwise specified.

b: depth includes kitchen cabinet front panel.

c: Optional 42 inch bridge toe kick accessory is available.

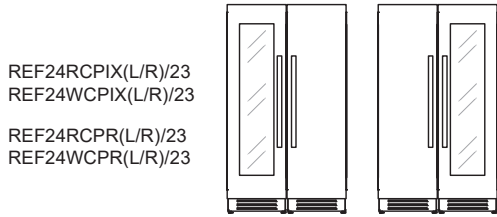
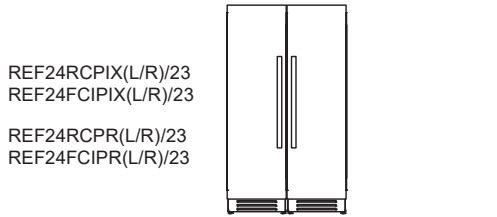
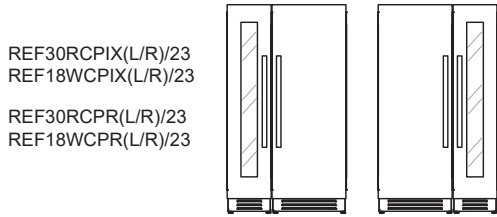
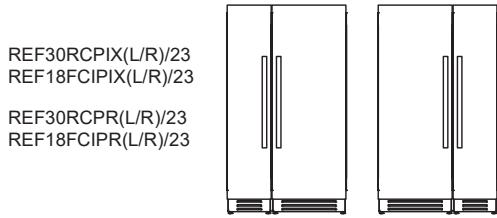
For details see page 75

# 48" Double Configurations

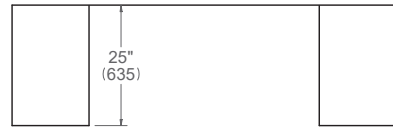
## Flush installation



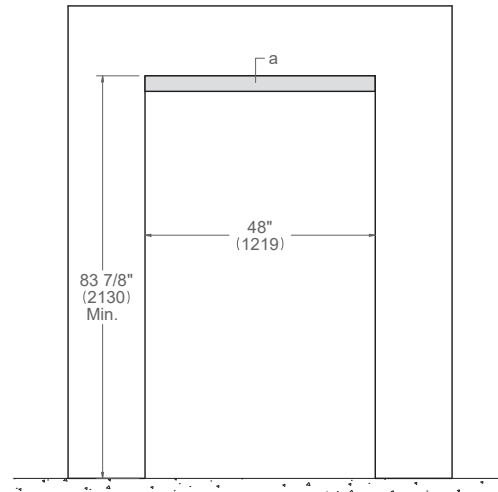
### POSSIBLE COMBINATIONS <sup>c</sup>



### TOP VIEW <sup>b</sup>



### FRONT VIEW



- a: Area to be left clear for the anti-tipping brackets – 48"x4" (1219x100mm)
- b: Depth includes kitchen cabinet front panel.
- c: Optional 48 inch bridge toe kick accessory is available. For details see page 75

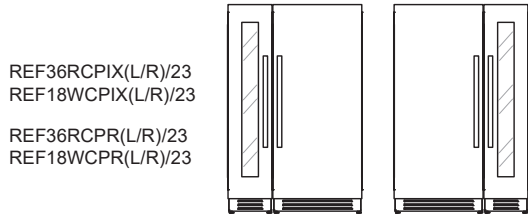
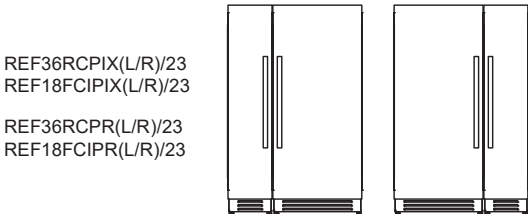
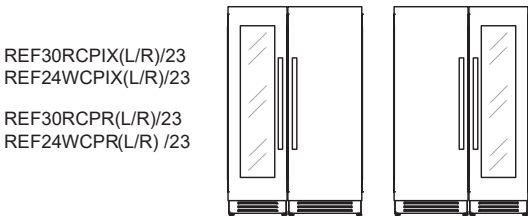
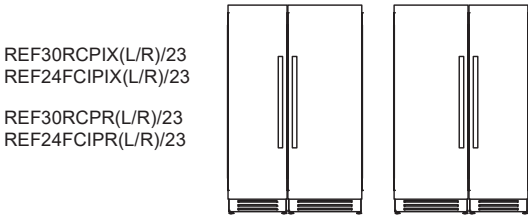
Dimensions in parentheses are millimeters unless otherwise specified.  
All Freezer and Wine Columns are supplied with a vertical connector trim for multiple columns installations.  
No additional accessories are needed.

# 54" Double Configurations

## Flush installation



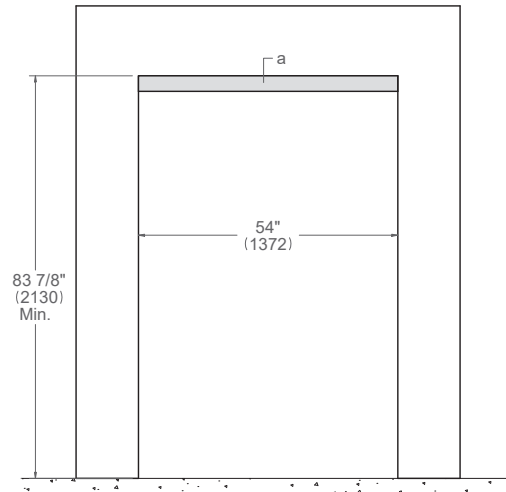
### POSSIBLE COMBINATIONS



### TOP VIEW<sup>b</sup>



### FRONT VIEW



a: Area to be left clear for the anti-tipping brackets – 54"x4" (1372x100mm)

b: Depth includes kitchen cabinet front panel.

Dimensions in parentheses are millimeters unless otherwise specified.

All Freezer and Wine Columns are supplied with a vertical connector trim for multiple columns installations. No additional accessories are needed.



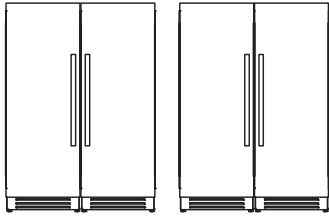
# 60" Double Configurations

## Flush installation

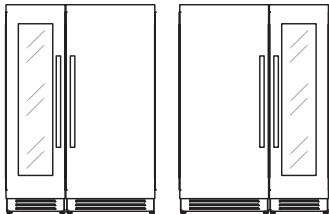


### POSSIBLE COMBINATIONS

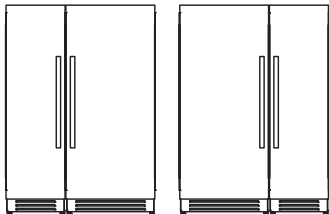
REF30RCPIX(L/R)/23  
REF30FCPIX(L/R)/23  
REF30RCPR(L/R)/23  
REF30FCIPR(L/R)/23



REF36RCPIX(L/R)/23  
REF24WCPIX(L/R)/23  
REF36RCPR(L/R)/23  
REF24WCPR(L/R)/23



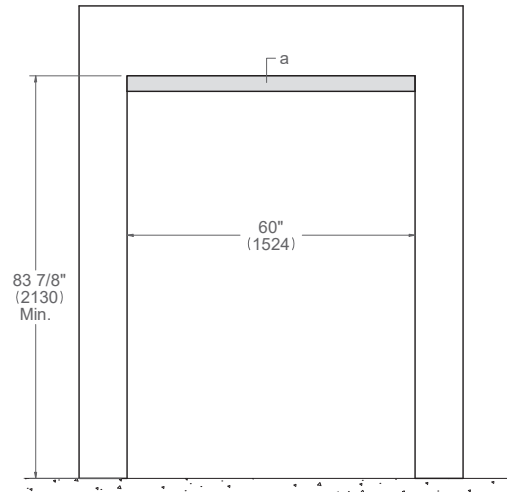
REF36RCPIX(L/R)/23  
REF24FCPIX(L/R)/23  
REF36RCPR(L/R)/23  
REF24FCIPR(L/R)/23



### TOP VIEW<sup>b</sup>



### FRONT VIEW



a: Area to be left clear for the anti-tipping brackets – 60"x4" (1524x100mm)

b: Depth includes kitchen cabinet front panel.

Dimensions in parentheses are millimeters unless otherwise specified.

All Freezer and Wine Columns are supplied with a vertical connector trim for multiple columns installations.

No additional accessories are needed.

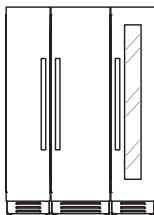
# 60" Triple Configurations

## Flush installation

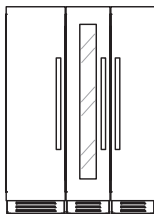
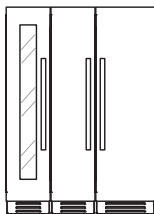
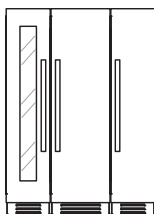


### POSSIBLE COMBINATIONS

REF24RCPIX(L/R)/23  
 REF18FCPIX(L/R)/23  
 REF18WCPIX(L/R)/23



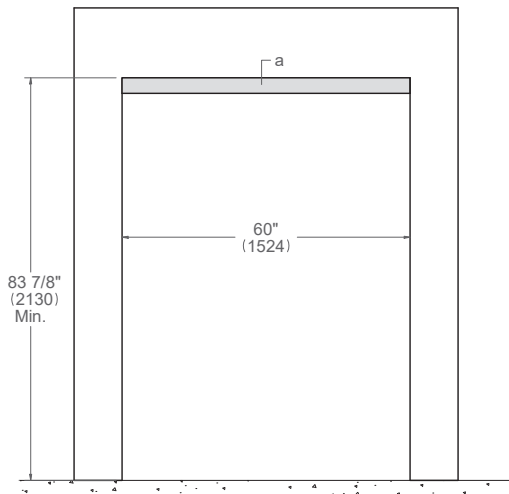
REF24RCPR(L/R)/23  
 REF18FCIPR(L/R)/23  
 REF18WCPR(L/R)/23



### TOP VIEW<sup>b</sup>



### FRONT VIEW



a: Area to be left clear for the anti-tipping brackets – 60"x4" (1524x100mm)

b: Depth includes kitchen cabinet front panel.

Dimensions in parentheses are millimeters unless otherwise specified.

All Freezer and Wine Columns are supplied with a vertical connector trim for multiple columns installations. No additional accessories are needed.

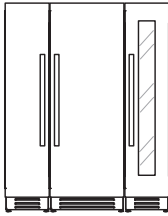
# 66" Triple Configurations

## Flush installation

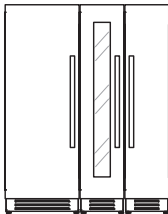
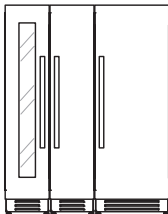
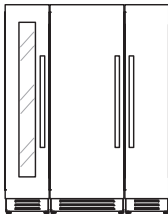


### POSSIBLE COMBINATIONS

REF30RCPIX(L/R)/23  
 REF18FCPIX(L/R)/23  
 REF18WCPIX(L/R)/23



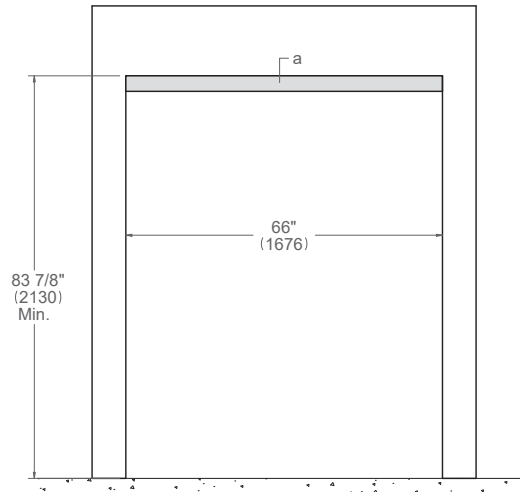
REF30RCPR(L/R)/23  
 REF18FCIPR(L/R)/23  
 REF18WCPR(L/R)/23



### TOP VIEW<sup>b</sup>



### FRONT VIEW



a: Area to be left clear for the anti-tipping brackets – 66"x4" (1676x100mm)

b: Depth includes kitchen cabinet front panel.

Dimensions in parentheses are millimeters unless otherwise specified.

All Freezer and Wine Columns are supplied with a vertical connector trim for multiple columns installations.

No additional accessories are needed.

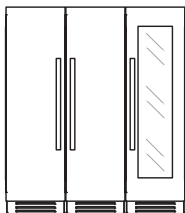
# 72" Triple Configurations

## Flush installation

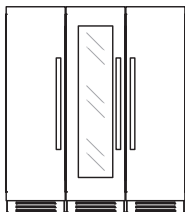
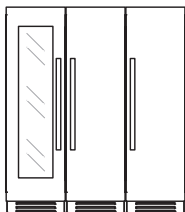
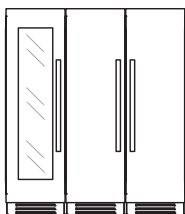


### POSSIBLE COMBINATIONS

REF24RCPIX(L/R)/23  
 REF24FCPIX(L/R)/23  
 REF24WCPIX(L/R)/23



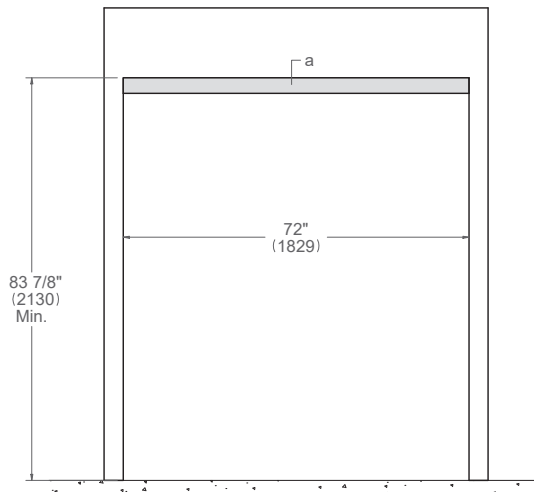
REF24RCPR(L/R)/23  
 REF24FCIPR(L/R)/23  
 REF24WCPR(L/R)/23



### TOP VIEW<sup>b</sup>



### FRONT VIEW



a: Area to be left clear for the anti-tipping brackets – 72"x4" (1829x100mm)

b: Depth includes kitchen cabinet front panel.

Dimensions in parentheses are millimeters unless otherwise specified.

All Freezer and Wine Columns are supplied with a vertical connector trim for multiple columns installations. No additional accessories are needed.

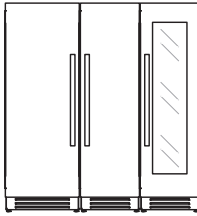
# 78" Triple Configurations

## Flush installation

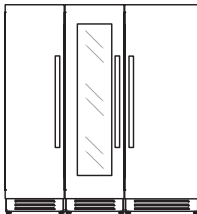
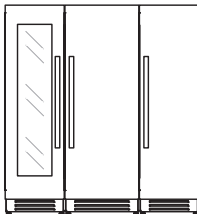
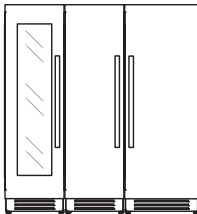


### POSSIBLE COMBINATIONS

REF30RCPIX(L/R)/23  
 REF24FCPIX(L/R)/23  
 REF24WCPIX(L/R)/23



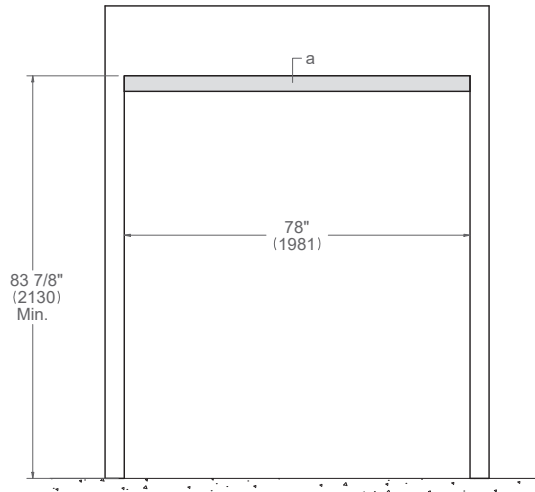
REF30RCPR(L/R)/23  
 REF24FCIPR(L/R)/23  
 REF24WCPR(L/R)/23



### TOP VIEW<sup>b</sup>



### FRONT VIEW



a: Area to be left clear for the anti-tipping brackets – 78"x4" (1981x100mm)

b: Depth includes kitchen cabinet front panel.

Dimensions in parentheses are millimeters unless otherwise specified.

All Freezer and Wine Columns are supplied with a vertical connector trim for multiple columns installations. No additional accessories are needed.

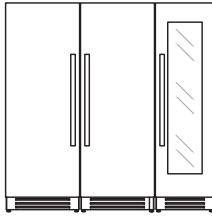
# 84" Triple Configurations

## Flush installation



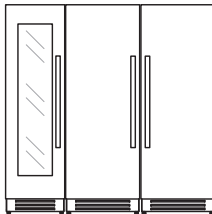
### POSSIBLE COMBINATIONS

REF36RCPIX(L/R)/23  
REF30FCPIX(L/R)/23  
REF18WCPIX(L/R)/23



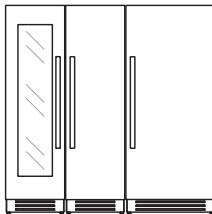
REF36RCPR(L/R)/23  
REF30FCIPR(L/R)/23  
REF18WCPR(L/R)/23

REF30RCPIX(L/R)/23  
REF30FCPIX(L/R)/23  
REF24WCPIX(L/R)/23

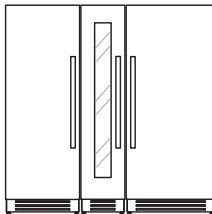


REF30RCPR(L/R)/23  
REF30FCIPR(L/R)/23  
REF24WCPR(L/R)/23

REF36RCPIX(L/R)/23  
REF24FCPIX(L/R)/23  
REF24WCPIX(L/R)/23



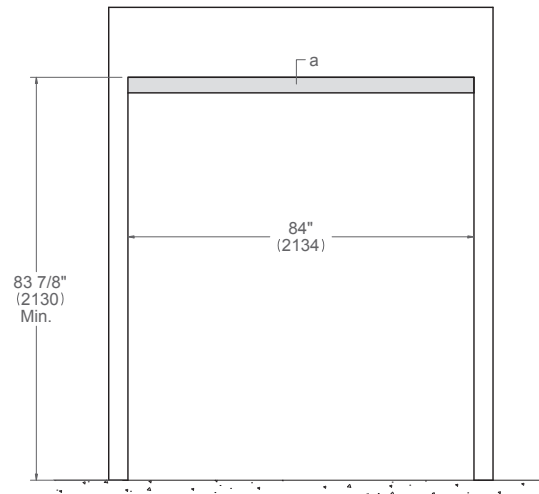
REF36RCPR(L/R)/23  
REF24FCIPR(L/R)/23  
REF24WCPR(L/R)/23



### TOP VIEW <sup>b</sup>



### FRONT VIEW



a: Area to be left clear for the anti-tipping brackets – 84"x4" (2134x100mm)

b: Depth includes kitchen cabinet front panel.

Dimensions in parentheses are millimeters unless otherwise specified.

All Freezer and Wine Columns are supplied with a vertical connector trim for multiple columns installations. No additional accessories are needed.

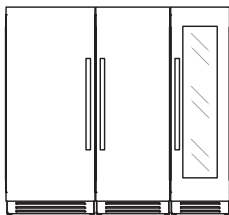
# 90" Triple Configurations

## Flush installation

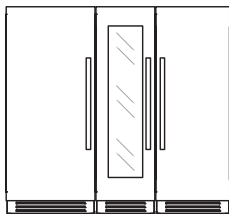
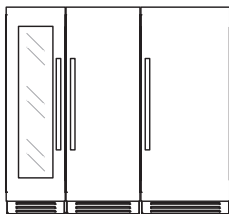
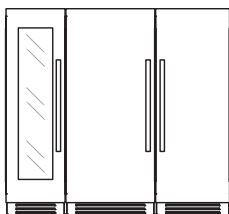


### POSSIBLE COMBINATIONS <sup>c</sup>

REF36RCPIX(L/R)/23  
 REF30FCPIX(L/R)/23  
 REF24WCPIX(L/R)/23



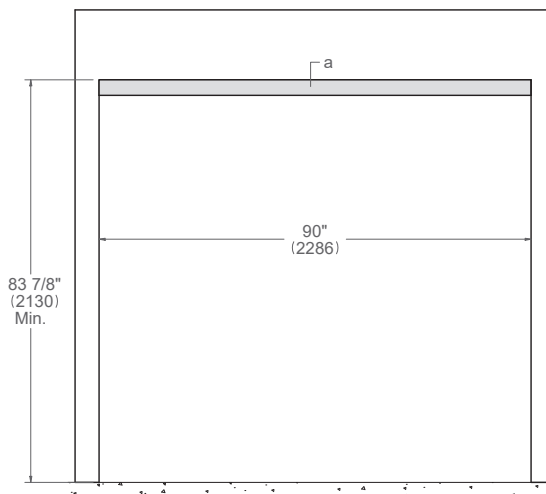
REF36RCPR(L/R)/23  
 REF30FCIPR(L/R)/23  
 REF24WCPR(L/R)/23



### TOP VIEW <sup>b</sup>



### FRONT VIEW



- a: Area to be left clear for the anti-tipping brackets – 90"x4" (2286x100mm)
- b: Depth includes kitchen cabinet front panel.
- c: Optional 42 inch bridge toe kick accessory is available. For details see page 75

Dimensions in parentheses are millimeters unless otherwise specified.  
 All Freezer and Wine Columns are supplied with a vertical connector trim for multiple columns installations.  
 No additional accessories are needed.

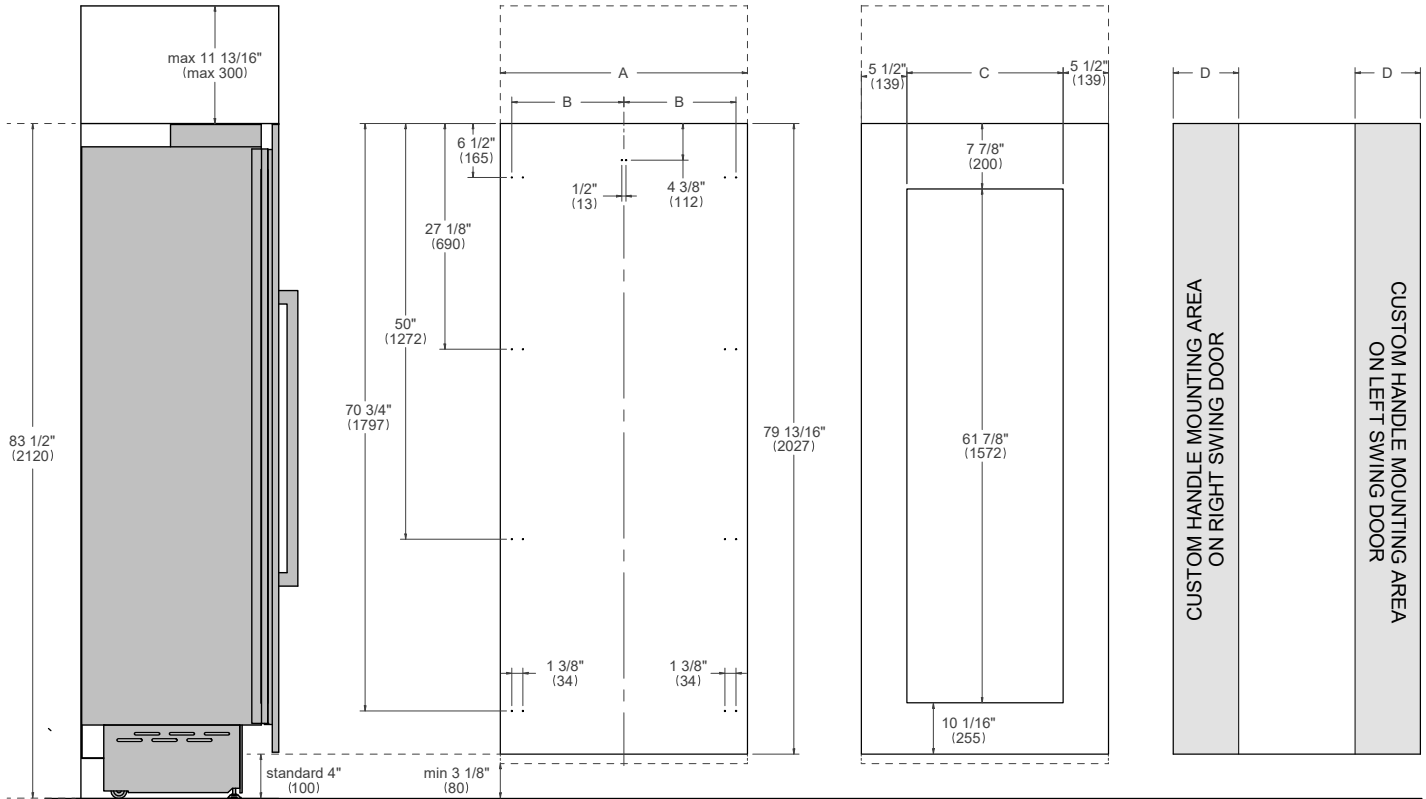
# Custom Door Panel



## REAR PANEL DRILLING

## WINE COLUMN DOOR WINDOW DIMENSIONS

## CUSTOM HANDLES MOUNTING AREA



	36"	30"	24"	18"
<b>A</b>	35 3/4" (908)	29 3/4" (756)	23 3/4" (604)	17 3/4" (451)
<b>B</b>	16 1/2" (418)	13 1/2" (343)	10 7/8" (275)	7 7/8" (200)
<b>C</b>	-	-	12 7/8" (327)	6 7/8" (177)
<b>D</b>	7 1/8" (182)	6" (152)	4 3/4" (121)	3 5/8" (92)

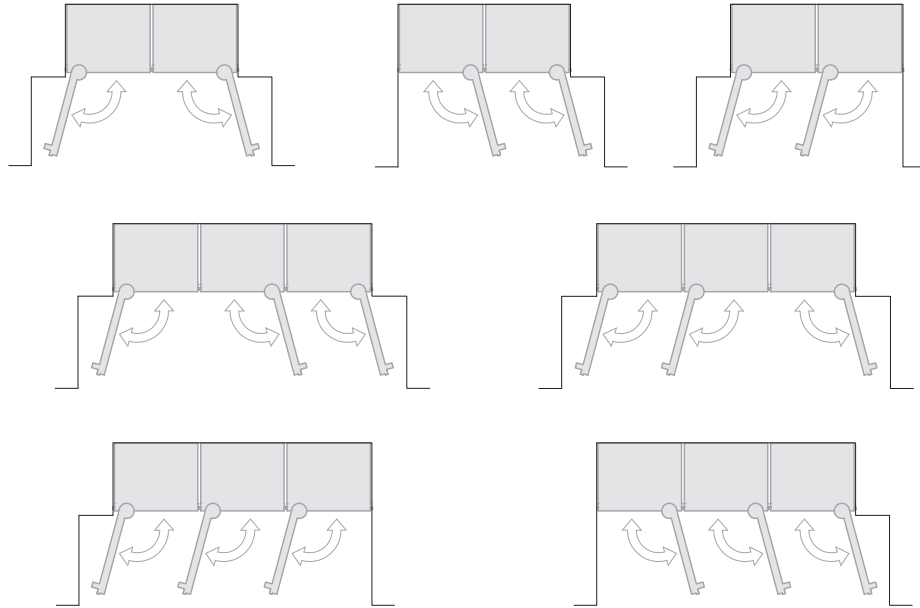
Dimensions in parentheses are millimeters unless otherwise specified.  
 Minimum gap between custom door panels and adjacent cabinetry is 1/8" (3).



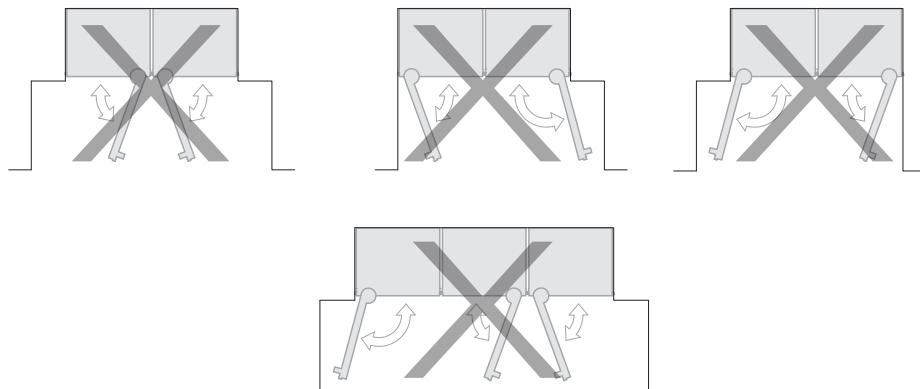
# Recommended Installations



## RECOMMENDED INSTALLATIONS



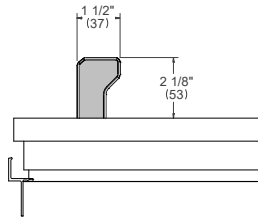
## NOT RECOMMENDED INSTALLATIONS



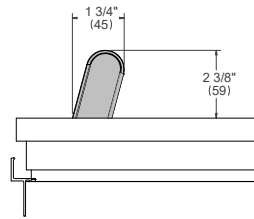
# Refrigeration Handles



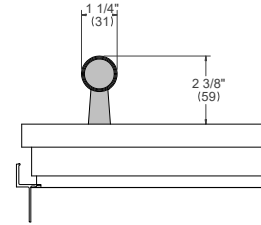
**PROFESSIONAL SERIES  
PROHKCOL  
PROHKCOLT**



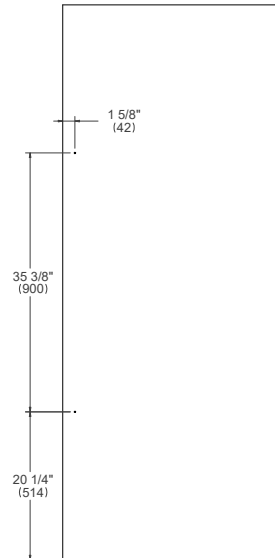
**MASTER SERIES  
MASHKCOL**



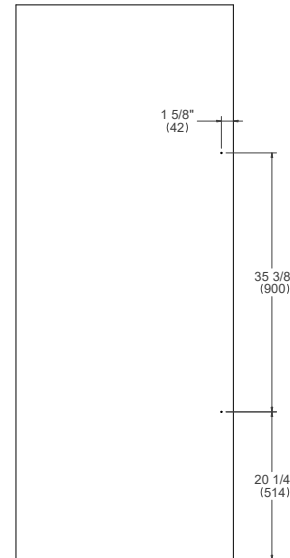
**HERITAGE SERIES  
HERHKCOL**



**BERTAZZONI HANDLES  
DRILLING ON RIGHT SWING DOOR**



**BERTAZZONI HANDLES  
DRILLING ON LEFT SWING DOOR**



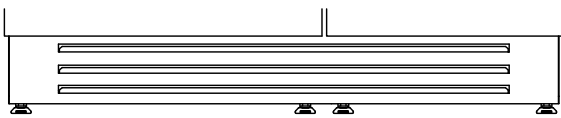
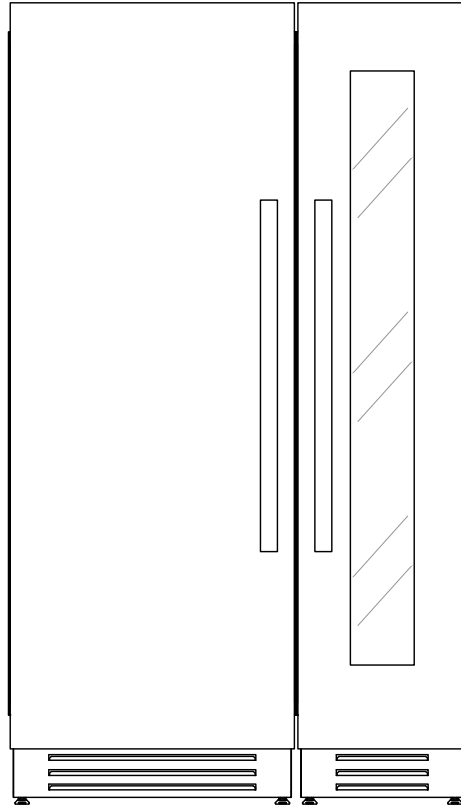
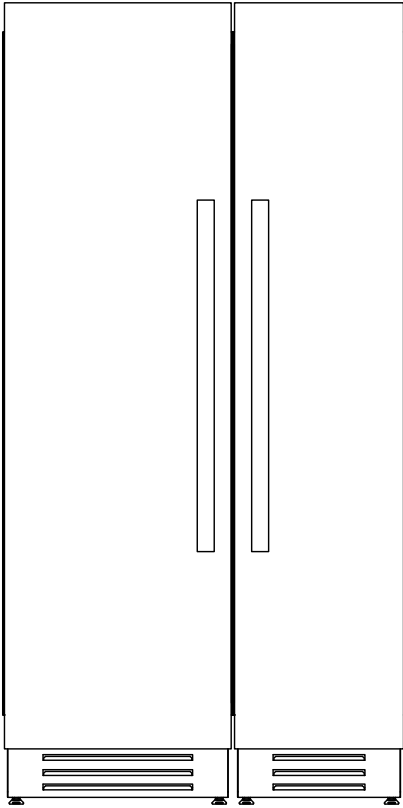
## HANDLE INSTALLATION ON CUSTOM PANELS

In case a custom panel is to be mounted on any of the models listed below with Bertazzoni handles, it will be necessary to install M5 x 0.8 mm brass tapping inserts in order to secure the handle properly on the custom panel. Recommended drill bit size to drill the pilot hole is 3/8". Suitable inserts can be ordered at [www.encompass.com](http://www.encompass.com)

Part Number: 95631A100, contains n°4 M5 brass hardwood inserts and 1 M5 installation bit. Do not use a power tool to mount the inserts. Installation of the inserts with improperly calibrated power tools risk damaging the panels.

Dimensions in parentheses are millimeters unless otherwise specified.

# Toekick Panel



**Part number 901560**

**Part number 901561**

Installation of multiple column units with a continuous cabinet toe kick are possible. Details are provided in the Bertazzoni Columns installation manual.

---

# BUILT-IN BOTTOM MOUNT REFRIGERATORS



These refrigerators from the T tier are masterpieces of design, styled to reflect Bertazzoni's meticulous attention to detail. They are practical, too - incorporating the latest technology to retain the nutritional value, vitamins, minerals, and texture of your food for longer. Designed for true flush installation in a standard depth cabinet, they are available in both stainless steel and panel-ready models for a seamless installation with any adjacent cabinetry and can be installed side-by-side, doubling your refrigerator space.

Add the finishing touch with Professional, Master, or Heritage Series handles to match the other appliances in your kitchen.

The side-by-side installation kit lets you create clean lines in your kitchen. "Lift and swing" hinges are available on 36" and 30" models to allow a minimal vertical gap of 1/8" between adjacent front cabinet panels.

---

36"  
Panel Installed and  
Panel Ready



---

30"  
Panel Installed and  
Panel Ready





# 36" Bottom Mount Panel Installed

## Dimensions



REF36BMBIXLT left hinge  
REF36BMBIXRT right hinge

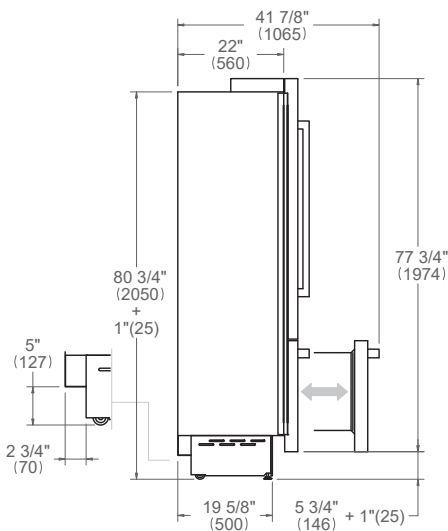
### Handle choices

Professional Series: PROHK36PI

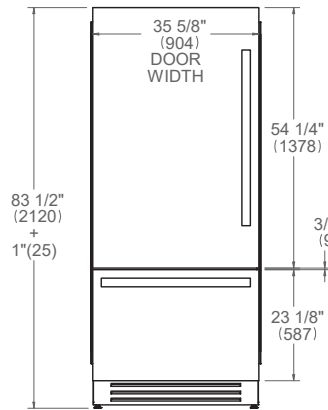
Master series: MASHK36PI

Heritage Series: HERHK36PI

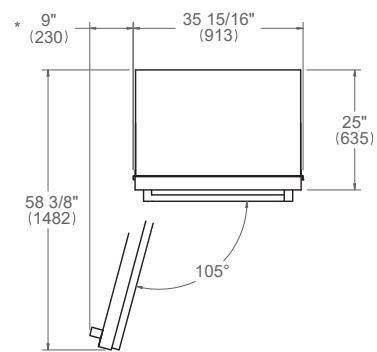
SIDE VIEW



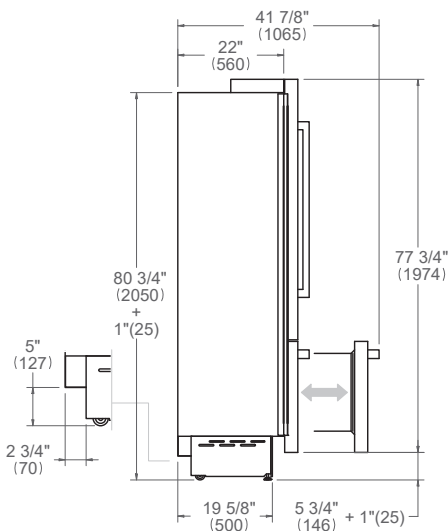
FRONT VIEW



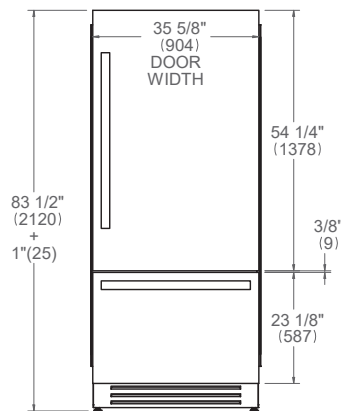
TOP VIEW



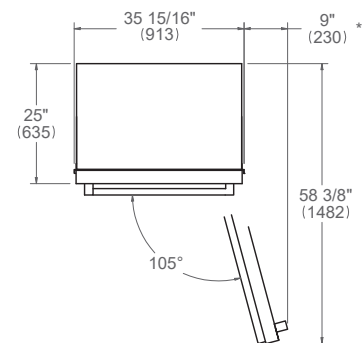
SIDE VIEW



FRONT VIEW



TOP VIEW



\* Maximum Overall Handle Dimension  
For detailed handle dimensions see page 100

Dimensions in parentheses are millimeters unless otherwise specified.

# 36" Bottom Mount Panel Installed

## Installation requirements



### CABINET REQUIREMENT

Installation of the appliance must be performed in accordance with the provisions of applicable legislation.

Be sure that support of this appliance is perpendicular to the front facing of the wall or cabinet before you perform the installation.

The floor must be flat and must be capable of supporting the weight of the appliance when in use.

<b>Required floor support</b>	1532 lb (695 kg)
-------------------------------	------------------

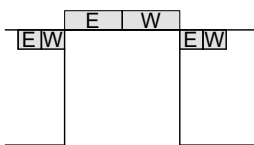
### ELECTRICAL REQUIREMENT

The installation must comply with all applicable electrical codes. A properly-grounded horizontally-mounted electrical receptacle should be installed.

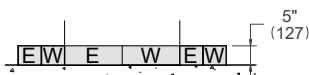
Place the electrical supply flush with the back wall and within the shaded area shown in the illustrations.

Placement within the opening may require additional cabinet depth.

#### TOP VIEW



#### FRONT VIEW



A separate circuit breaker servicing only this appliance is recommended.

<b>Electrical supply</b>	115 V 60 Hz 550 W 4.8 Amp
<b>Service</b>	15 Amp dedicated circuit
<b>Power Connection</b>	NEMA 5-15P with 98" power cord

### PLUMBING REQUIREMENT

Bertazzoni Bottom Mount refrigerators are provided with a water filter assembly which must be mounted inside the unit. The appliance must be connected only to a potable water supply system.

To connect to water supply system (for appliances equipped with ice maker) a 1/4" waterline with accessible shut-off valve must be supplied.

The solenoid connection on the appliance is 3/4" diameter but is metric threaded (NPT).

The system pressure must be between from 8 PSI to 75 PSI (between 0.5 bar and 5 bar). Different pressures can cause malfunctions or leaks in the water system.

For detailed installation specifications consult the multiple installation requirements page or each single product installation manual.

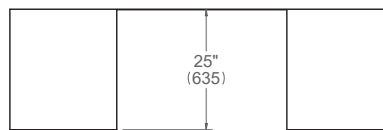
Dimensions in parentheses are millimeters unless otherwise specified.

# 36" Bottom Mount Panel Installed

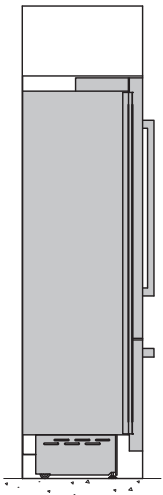
## Flush installation



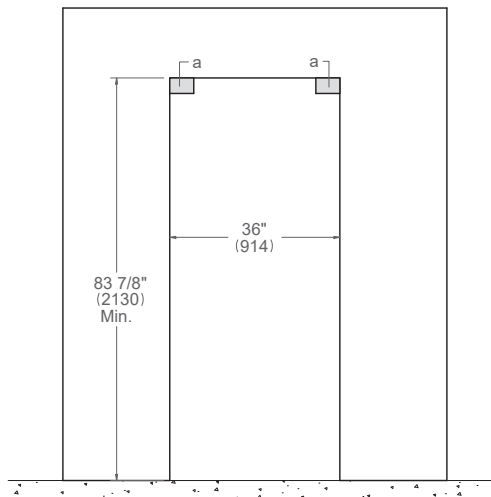
TOP VIEW<sup>b</sup>



SIDE VIEW



FRONT VIEW



(a) Area to be left clear for the anti-tipping brackets – 5 1/2" x 4" (140x100 mm)

Dimensions in parentheses are millimeters unless otherwise specified.

b: depth includes kitchen cabinet front panel.



# 36" Bottom Mount Panel Ready

## Dimensions



REF36BMBIPLT left hinge  
REF36BMBIPRT right hinge

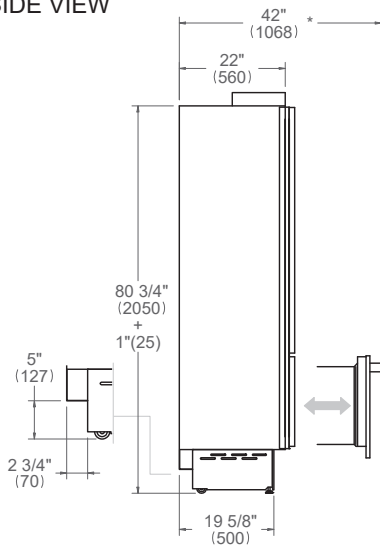
### Handle choices

Professional Series: PROHK36PI

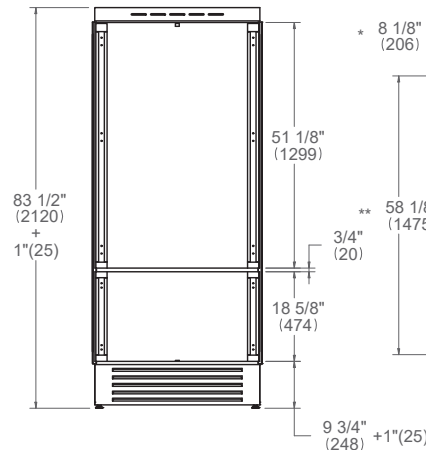
Master series: MASHK36PI

Heritage Series: HERHK36PI

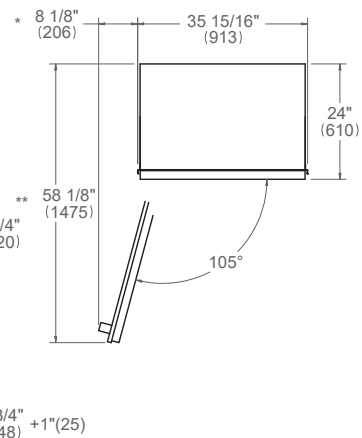
SIDE VIEW



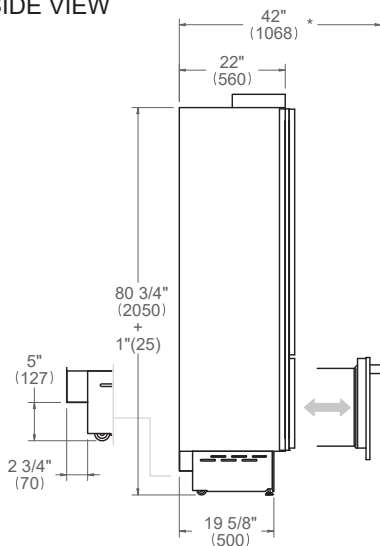
FRONT VIEW



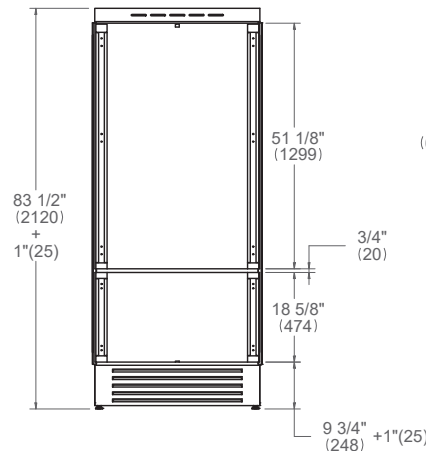
TOP VIEW



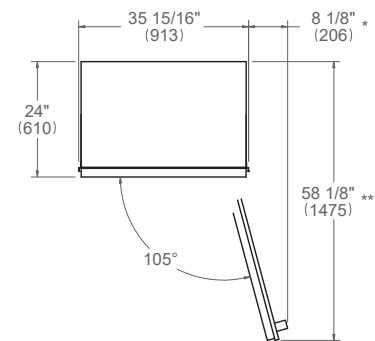
SIDE VIEW



FRONT VIEW



TOP VIEW



\* Maximum Overall Handle Dimension

\*\* 3/4" (19mm) Door Panel thickness

For custom panel dimensions see page 99

For detailed handle dimensions see page 100

Dimensions in parentheses are millimeters unless otherwise specified.

# 36" Bottom Mount Panel Ready

## Installation requirements



### CABINET REQUIREMENT

Installation of the appliance must be performed in accordance with the provisions of applicable legislation.

Be sure that support of this appliance is perpendicular to the front facing of the wall or cabinet before you perform the installation.

The floor must be flat and must be capable of supporting the weight of the appliance when in use.

<b>Required floor support</b>	1532 lb (695 kg)
-------------------------------	------------------

For panel ready bottom mount, do not exceed the maximum weight of 51 pounds (23 kg) for door panel and 25 pounds (11 kg) for drawer panel.

Panel can have thickness ranging between 3/4" (19 mm) and 1 1/8" (28 mm).

### ELECTRICAL REQUIREMENT

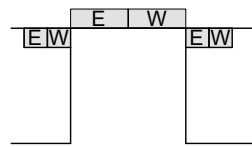
The installation must comply with all applicable electrical codes. A properly-grounded horizontally-mounted electrical receptacle should be installed.

Place the electrical supply flush with the back wall and within the shaded area shown in the illustrations.

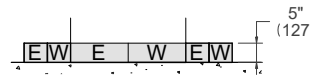
Placement within the opening may require additional cabinet depth.

For detailed installation specifications consult the multiple installation requirements page or each single product installation manual.

### TOP VIEW



### FRONT VIEW



A separate circuit breaker servicing only this appliance is recommended.

<b>Electrical supply</b>	115 V 60 Hz 550 W 4.8 Amp
<b>Service</b>	15 Amp dedicated circuit
<b>Power Connection</b>	NEMA 5-15P with 98" power cord

### PLUMBING REQUIREMENT

Bertazzoni Bottom Mount refrigerators are provided with a water filter assembly which must be mounted inside the unit. The appliance must be connected only to a potable water supply system.

To connect to water supply system (for appliances equipped with ice maker) a 1/4" waterline with accessible shut-off valve must be supplied.

The solenoid connection on the appliance is 3/4" diameter but is metric threaded (NPT).

The system pressure must be between from 8 PSI to 75 PSI (between 0.5 bar and 5 bar). Different pressures can cause malfunctions or leaks in the water system.

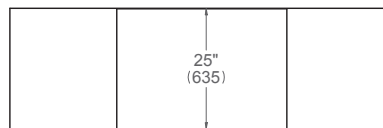
Dimensions in parentheses are millimeters unless otherwise specified.

# 36" Bottom Mount Panel Ready

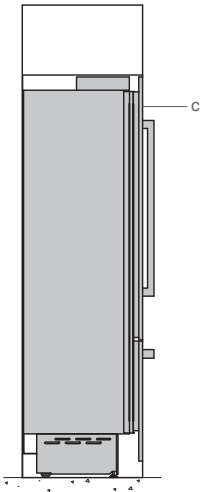
## Flush installation



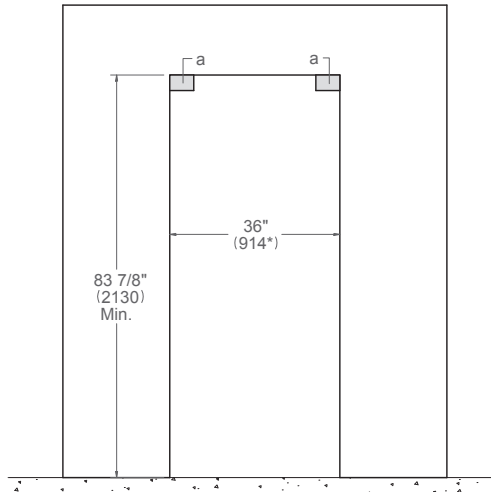
TOP VIEW<sup>b</sup>



SIDE VIEW



FRONT VIEW



- (a) Area to be left clear for the anti-tipping brackets – 5 1/2" x 4" (140x100 mm)
- (c) Panel dimensions available on Built-in Food Preservation Design Guide or Installation Manual

Dimensions in parentheses are millimeters unless otherwise specified.

b: depth includes kitchen cabinet front panel.

\* 36 1/8" (917) for framed-in installation.

# 30" Bottom Mount Panel Installed

## Dimensions



REF30BMBIXLT left hinge  
REF30BMBIXRT right hinge

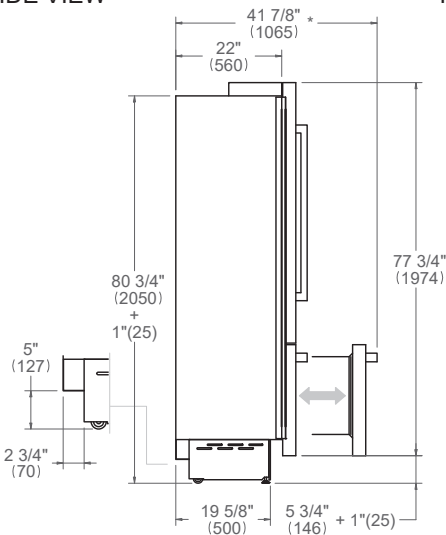
### Handle choices

Professional Series: PROHK30PI

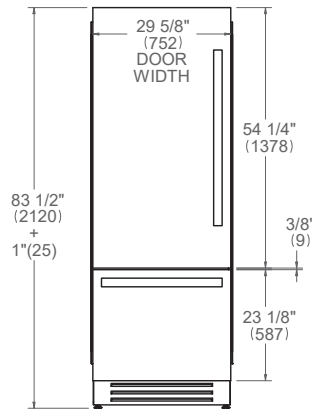
Master series: MASHK30PI

Heritage Series: HERHK30PI

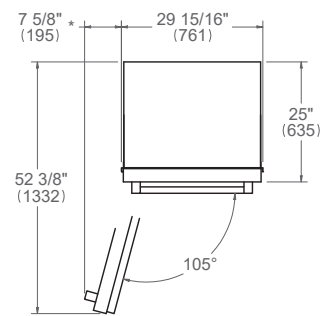
SIDE VIEW



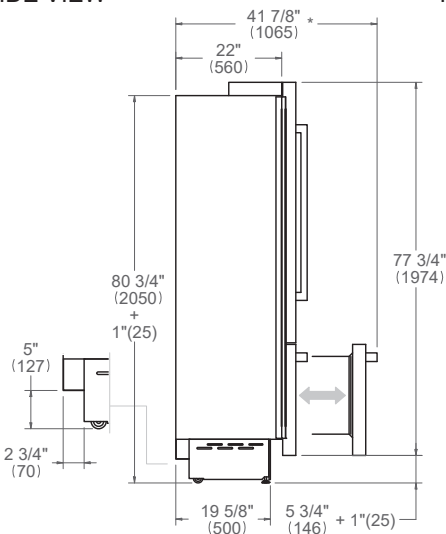
FRONT VIEW



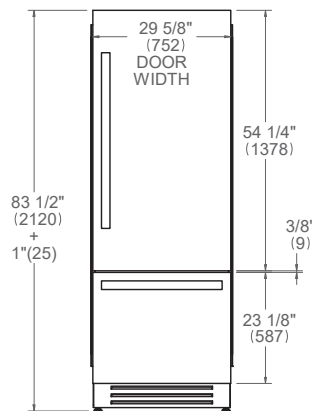
TOP VIEW



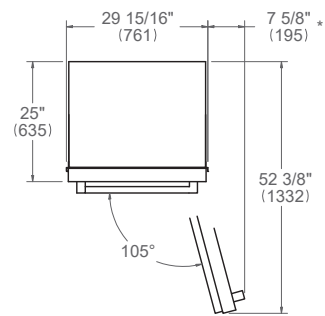
SIDE VIEW



FRONT VIEW



TOP VIEW



\* Maximum Overall Handle Dimension  
For detailed handle dimensions see page 100

Dimensions in parentheses are millimeters unless otherwise specified.

# 30" Bottom Mount Panel Installed

## Installation requirements



### CABINET REQUIREMENT

Installation of the appliance must be performed in accordance with the provisions of applicable legislation.

Be sure that support of this appliance is perpendicular to the front facing of the wall or cabinet before you perform the installation.

The floor must be flat and must be capable of supporting the weight of the appliance when in use.

<b>Required floor support</b>	1257 lb (570 kg)
-------------------------------	------------------

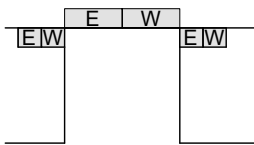
### ELECTRICAL REQUIREMENT

The installation must comply with all applicable electrical codes. A properly-grounded horizontally-mounted electrical receptacle should be installed.

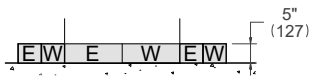
Place the electrical supply flush with the back wall and within the shaded area shown in the illustrations.

Placement within the opening may require additional cabinet depth.

#### TOP VIEW



#### FRONT VIEW



A separate circuit breaker servicing only this appliance is recommended.

<b>Electrical supply</b>	115 V 60 Hz 470 W 4.1 Amp
<b>Service</b>	15 Amp dedicated circuit
<b>Power Connection</b>	NEMA 5-15P with 98" power cord

### PLUMBING REQUIREMENT

Bertazzoni Bottom Mount refrigerators are provided with a water filter assembly which must be mounted inside the unit. The appliance must be connected only to a potable water supply system.

To connect to water supply system (for appliances equipped with ice maker) a 1/4" waterline with accessible shut-off valve must be supplied.

The solenoid connection on the appliance is 3/4" diameter but is metric threaded (NPT).

The system pressure must be between from 8 PSI to 75 PSI (between 0.5 bar and 5 bar). Different pressures can cause malfunctions or leaks in the water system.

For detailed installation specifications consult the multiple installation requirements page or each single product installation manual.

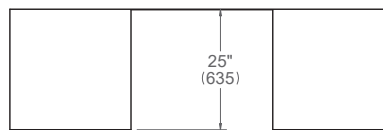
Dimensions in parentheses are millimeters unless otherwise specified.

# 30" Bottom Mount Panel Installed

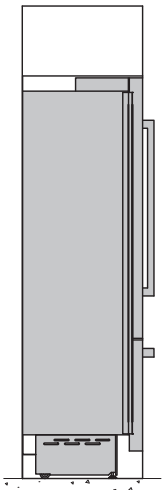
## Flush installation



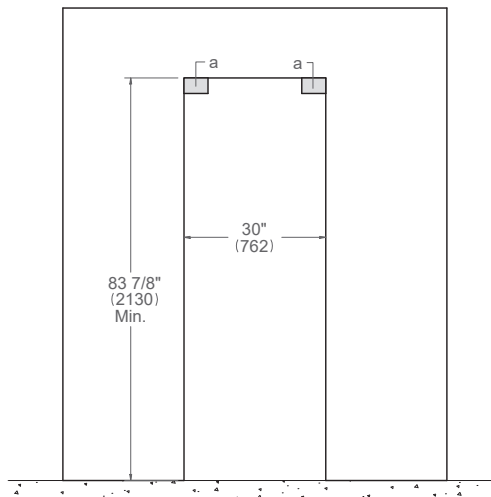
TOP VIEW<sup>b</sup>



SIDE VIEW



FRONT VIEW



(a) Area to be left clear for the anti-tipping brackets – 5 1/2" x 4" (140x100 mm)

Dimensions in parentheses are millimeters unless otherwise specified.

b: depth includes kitchen cabinet front panel.

# 30" Bottom Mount Panel Ready

## Dimensions



REF30BMBIPLT left hinge

REF30BMBIPRT right hinge

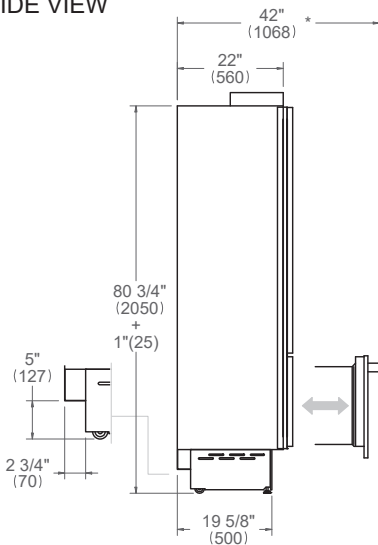
### Handle choices

Professional Series: PROHK30PI

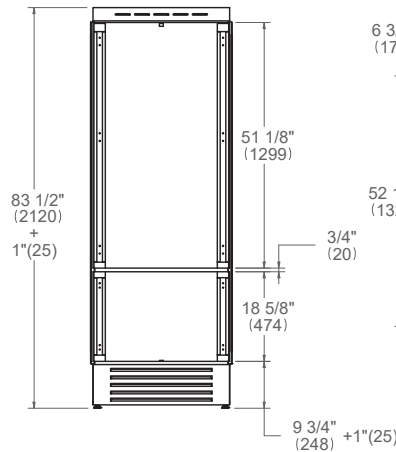
Master series: MASHK30PI

Heritage Series: HERHK30PI

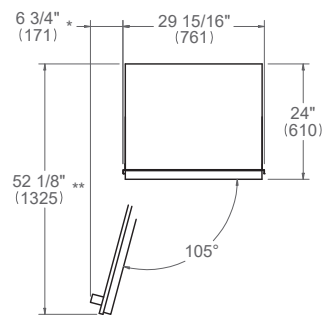
SIDE VIEW



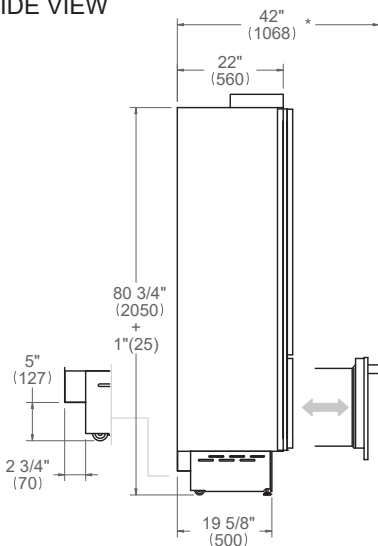
FRONT VIEW



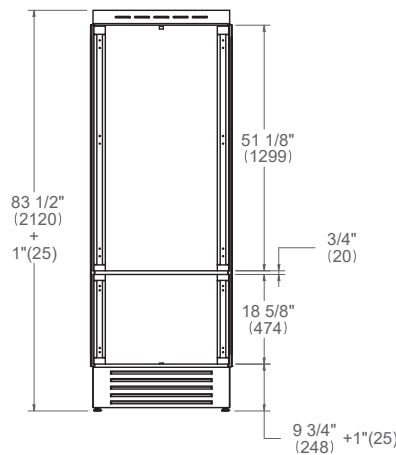
TOP VIEW



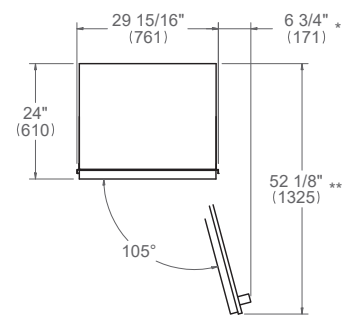
SIDE VIEW



FRONT VIEW



TOP VIEW



\* Maximum Overall Handle Dimension

\*\* 3/4" (19mm) Door Panel thickness

For custom panel dimensions see page 99

For detailed handle dimensions see page 100

Dimensions in parentheses are millimeters unless otherwise specified.

# 30" Bottom Mount Panel Ready

## Installation requirements



### CABINET REQUIREMENT

Installation of the appliance must be performed in accordance with the provisions of applicable legislation.

Be sure that support of this appliance is perpendicular to the front facing of the wall or cabinet before you perform the installation.

The floor must be flat and must be capable of supporting the weight of the appliance when in use.

<b>Required floor support</b>	1257 lb (570 kg)
-------------------------------	------------------

For panel ready bottom mount, do not exceed the maximum weight of 51 pounds (23 kg) for door panel and 25 pounds (11 kg) for drawer panel.

Panel can have thickness ranging between 3/4" (19 mm) and 1 1/8" (28 mm).

### ELECTRICAL REQUIREMENT

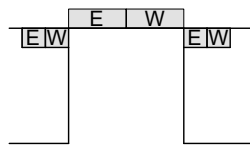
The installation must comply with all applicable electrical codes. A properly-grounded horizontally-mounted electrical receptacle should be installed.

Place the electrical supply flush with the back wall and within the shaded area shown in the illustrations.

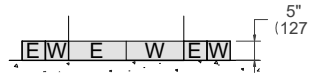
Placement within the opening may require additional cabinet depth.

For detailed installation specifications consult the multiple installation requirements page or each single product installation manual.

### TOP VIEW



### FRONT VIEW



A separate circuit breaker servicing only this appliance is recommended.

<b>Electrical supply</b>	115 V 60 Hz 470 W 4.1 Amp
<b>Service</b>	15 Amp dedicated circuit
<b>Power Connection</b>	NEMA 5-15P with 98" power cord

### PLUMBING REQUIREMENT

Bertazzoni Bottom Mount refrigerators are provided with a water filter assembly which must be mounted inside the unit. The appliance must be connected only to a potable water supply system.

To connect to water supply system (for appliances equipped with ice maker) a 1/4" waterline with accessible shut-off valve must be supplied.

The solenoid connection on the appliance is 3/4" diameter but is metric threaded (NPT).

The system pressure must be between from 8 PSI to 75 PSI (between 0.5 bar and 5 bar). Different pressures can cause malfunctions or leaks in the water system.

Dimensions in parentheses are millimeters unless otherwise specified.

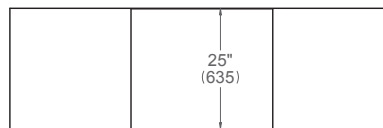


# 30" Bottom Mount Panel Ready

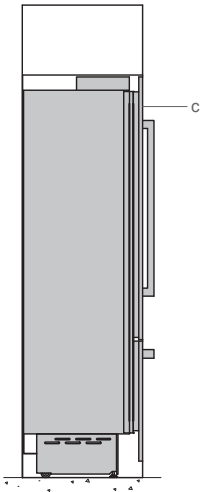
## Flush installation



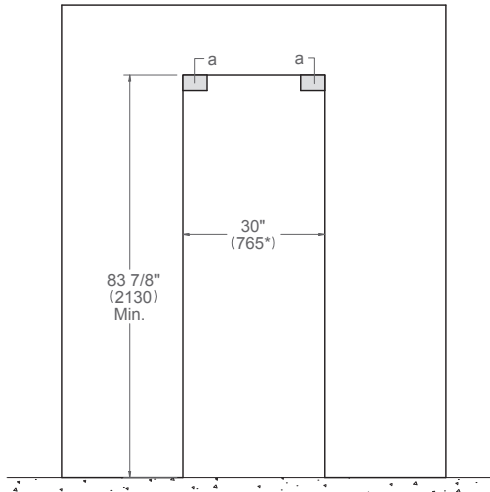
TOP VIEW<sup>b</sup>



SIDE VIEW



FRONT VIEW



- (a) Area to be left clear for the anti-tipping brackets – 5 1/2" x 4" (140x100 mm)
- (c) Panel dimensions available on Built-in Food Preservation Design Guide or Installation Manual

Dimensions in parentheses are millimeters unless otherwise specified.

b: depth includes kitchen cabinet front panel.

\* 30 1/8" (765) for framed-in installation.

---

# BOTTOM MOUNT MULTIPLE INSTALLATIONS





# Bottom Mount Multiple Installations

## Installation requirements



### CABINET REQUIREMENT

Installation of the appliance must be performed in accordance with the provisions of applicable legislation.

Be sure that support of this appliance is perpendicular to the front facing of the wall or cabinet before you perform the installation.

The floor must be flat and must be capable of supporting the weight of the appliance when in use.

For panel ready bottom mount, do not exceed the maximum weight of 51 pounds (23 kg) for door panel and 25 pounds (11 kg) for drawer panel.

Panel can have thickness ranging between 3/4" (19 mm) and 1 1/8" (28 mm).

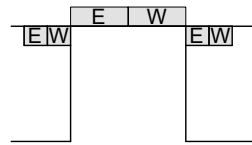
### ELECTRICAL REQUIREMENT

The installation must comply with all applicable electrical codes. A properly-grounded horizontally-mounted electrical receptacle should be installed.

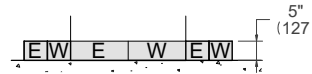
Place the electrical supply flush with the back wall and within the shaded area shown in the illustrations.

Placement within the opening may require additional cabinet depth.

### TOP VIEW



### FRONT VIEW



A separate circuit breaker servicing only these appliances is recommended.

### PLUMBING REQUIREMENT

Bertazzoni Bottom Mount refrigerators are provided with a water filter assembly which must be mounted inside the unit. The appliance must be connected only to a potable water supply system.

To connect to water supply system (for appliances equipped with ice maker) a 1/4" waterline with accessible shut-off valve must be supplied.

The solenoid connection on the appliance is 3/4" diameter but is metric threaded (NPT).

The system pressure must be between from 8 PSI to 75 PSI (between 0.5 bar and 5 bar). Different pressures can cause malfunctions or leaks in the water system.

For detailed installation specifications consult the multiple installation requirements page or each single product installation manual.

Dimensions in parentheses are millimeters unless otherwise specified.

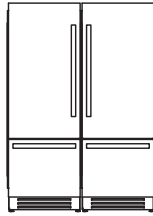
# 60" Bottom Mount Double Configurations

## Flush installation

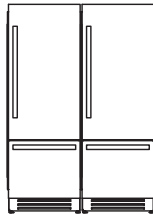


### POSSIBLE COMBINATIONS

REF30BMBIXRT  
REF30BMBIXLT

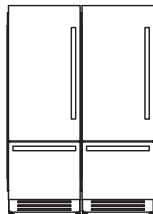


REF30BMBIPRT  
REF30BMBIPLT



REF30BMBIXRT  
REF30BMBIXRT

REF30BMBIPRT  
REF30BMBIPRT



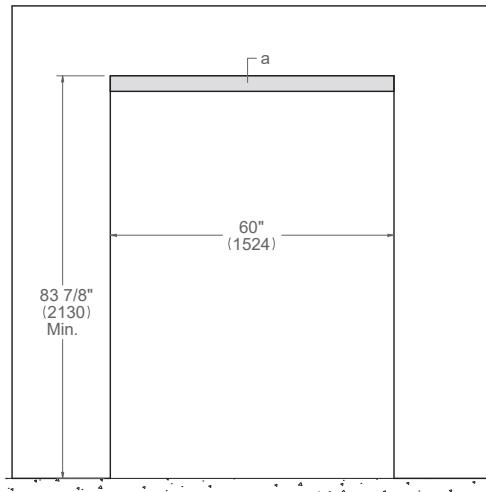
REF30BMBIXLT  
REF30BMBIXLT

REF30BMBIPLT  
REF30BMBIPLT

### TOP VIEW<sup>b</sup>



### FRONT VIEW



a Area to be left clear for the anti-tipping brackets – 60"x4" (1524x100mm)

b Depth includes kitchen cabinet front panel

Dimensions in parentheses are millimeters unless otherwise specified.

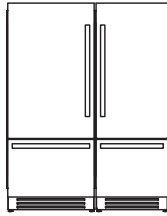
# 66" Bottom Mount Double Configurations

## Flush installation

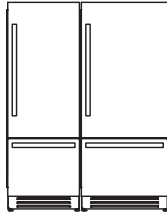


### POSSIBLE COMBINATIONS

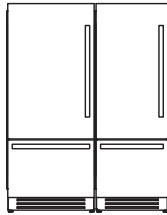
REF30BMBIXRT  
REF36BMBIXLT  
REF30BMBIXLT  
REF36BMBIXRT  
REF30BMBIPRT  
REF36BMBIPLT  
REF30BMBIPLT  
REF36BMBIPRT



REF30BMBIXRT  
REF36BMBIXRT  
REF30BMBIPRT  
REF36BMBIPRT



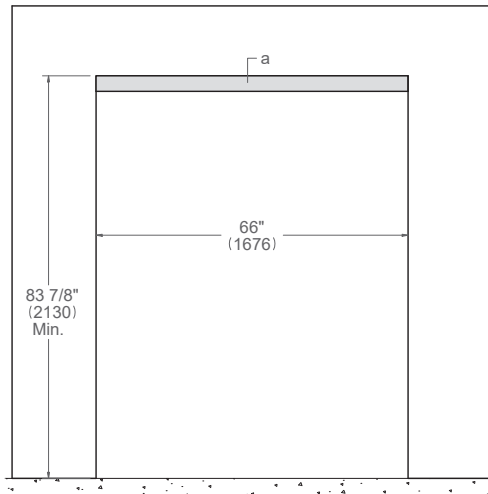
REF30BMBIXLT  
REF36BMBIXLT  
REF30BMBIPLT  
REF36BMBIPLT



### TOP VIEW<sup>b</sup>



### FRONT VIEW



a Area to be left clear for the anti-tipping brackets – 66"x4" (1676x100mm)

b Depth includes kitchen cabinet front panel

Dimensions in parentheses are millimeters unless otherwise specified.

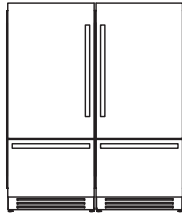
# 72" Bottom Mount Double Configurations

## Flush installation

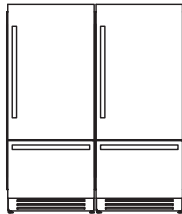


### POSSIBLE COMBINATIONS

REF36BMBIXRT  
REF36BMBIXLT

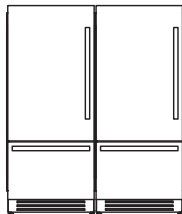


REF36BMBIPRT  
REF36BMBIPLT



REF36BMBIXRT  
REF36BMBIXRT

REF36BMBIPRT  
REF36BMBIPRT



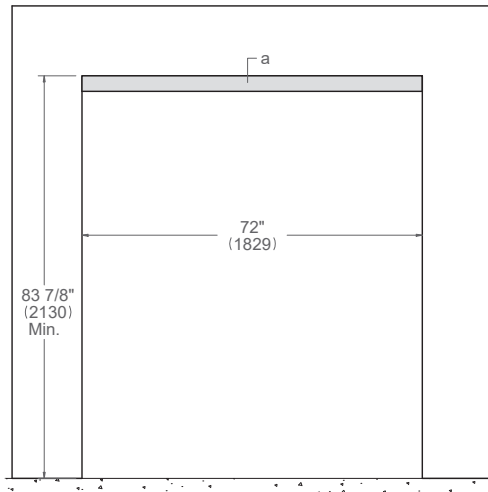
REF36BMBIXLT  
REF36BMBIXLT

REF36BMBIPLT  
REF36BMBIPLT

TOP VIEW<sup>b</sup>



FRONT VIEW



a Area to be left clear for the anti-tipping brackets – 72"x4" (1829x100mm)

b Depth includes kitchen cabinet front panel

Dimensions in parentheses are millimeters unless otherwise specified.

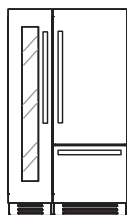
# 48" Double Configurations\*

## Flush installation

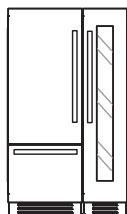


### POSSIBLE COMBINATIONS <sup>c</sup>

REF30BMBIPRT  
REF18WCPRL



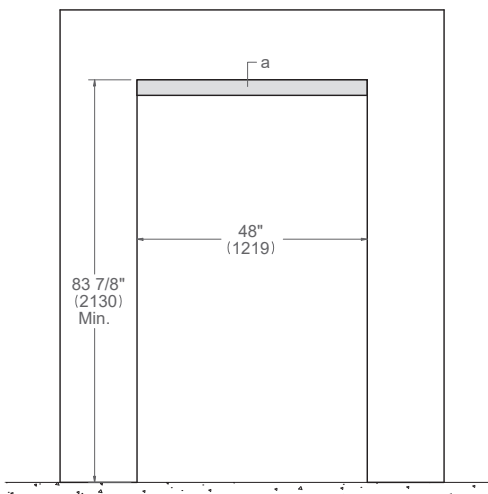
REF30BMBIPLT  
REF18WCPRR



### TOP VIEW <sup>b</sup>



### FRONT VIEW



- a: Area to be left clear for the anti-tipping brackets – 48"x4" (1219x100mm)
- b: Depth includes kitchen cabinet front panel.
- c: Optional 48 inch bridge toe kick accessory is available. For details see page 75

Dimensions in parentheses are millimeters unless otherwise specified.  
\* The combination of bottom mount and wine column is only available for panel ready models.

All Freezer and Wine Columns are supplied with a vertical connector trim for multiple columns installations. No additional accessories are needed.



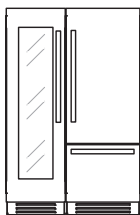
# 54" Double Configurations\*

## Flush installation

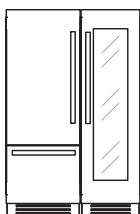


### POSSIBLE COMBINATIONS

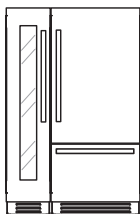
REF30BMBIPRT  
REF24WCPRL



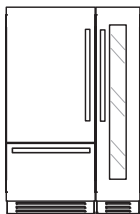
REF30BMBIPLT  
REF24WCPRR



REF36BMBIPRT  
REF18WCPRL



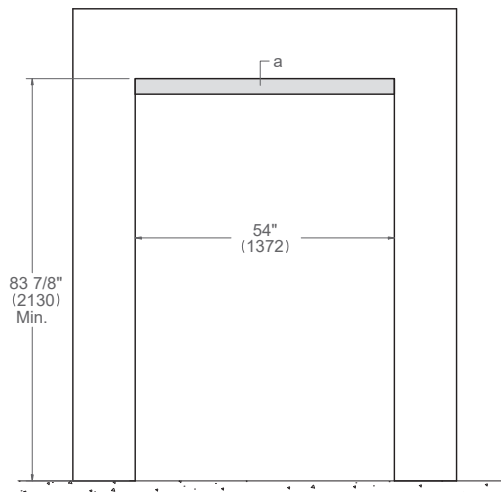
REF36BMBIPLT  
REF18WCPRR



### TOP VIEW<sup>b</sup>



### FRONT VIEW



a Area to be left clear for the anti-tipping brackets – 54"x4" (1372x100mm)

b Depth includes kitchen cabinet front panel

Dimensions in parentheses are millimeters unless otherwise specified.

\* The combination of bottom mount and wine column is only available for panel ready models.

All Freezer and Wine Columns are supplied with a vertical connector trim for multiple columns installations. No additional accessories are needed.

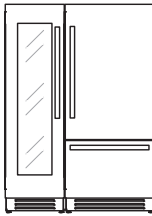
# 60" Double Configurations\*

## Flush installation

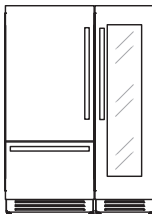


### POSSIBLE COMBINATIONS

REF36BMBIPRT  
REF24WCPRL



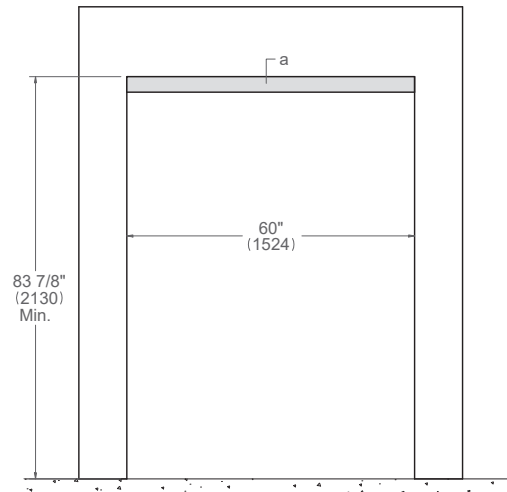
REF36BMBIPLT  
REF24WCPRR



### TOP VIEW<sup>b</sup>



### FRONT VIEW



a: Area to be left clear for the anti-tipping brackets – 60"x4" (1524x100mm)

b: Depth includes kitchen cabinet front panel.

Dimensions in parentheses are millimeters unless otherwise specified.

\* The combination of bottom mount and wine column is only available for panel ready models.

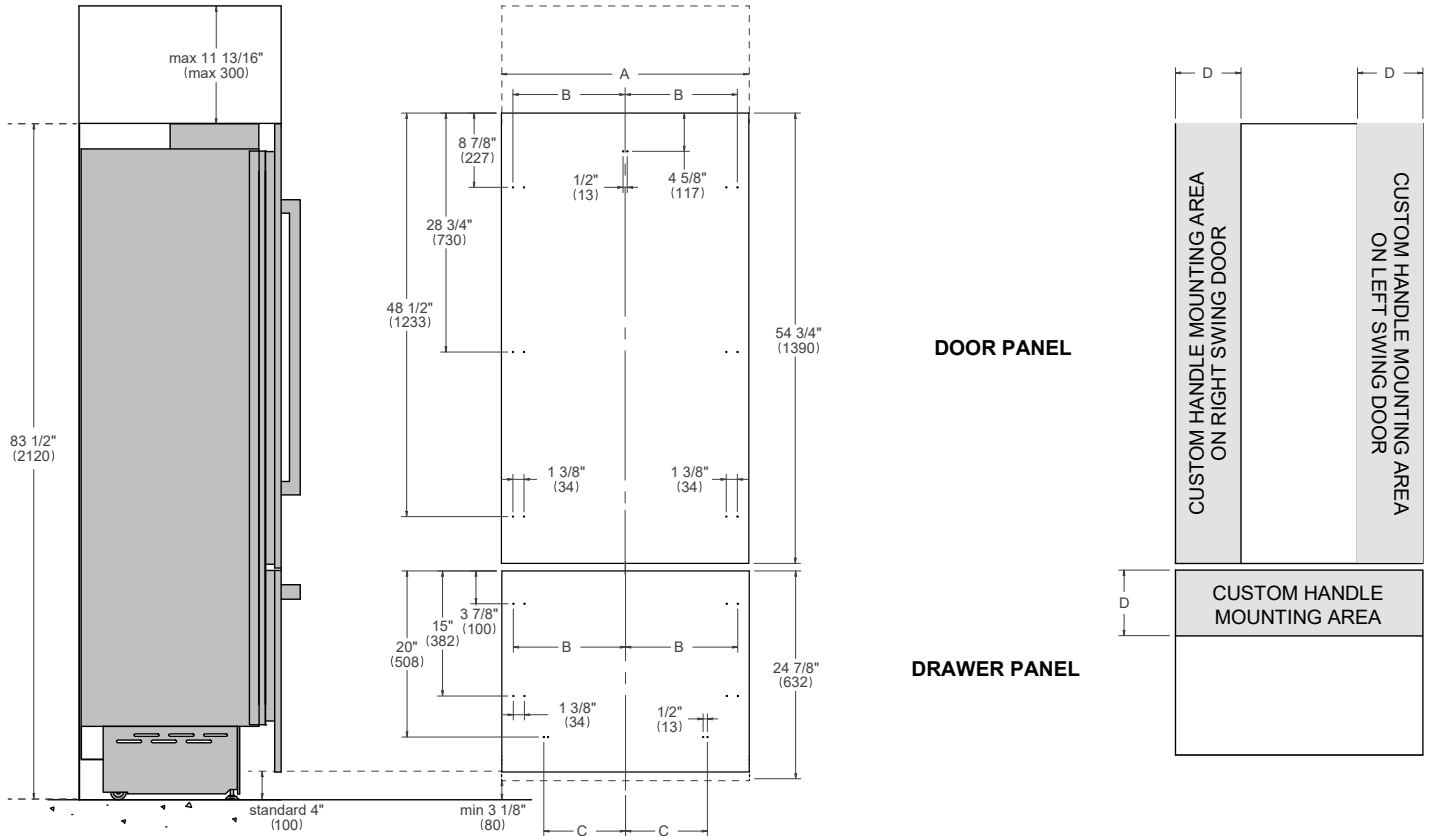
All Freezer and Wine Columns are supplied with a vertical connector trim for multiple columns installations. No additional accessories are needed.

# Custom Door Panel



## REARPANELDRILLING

## CUSTOM HANDLES MOUNTING AREA



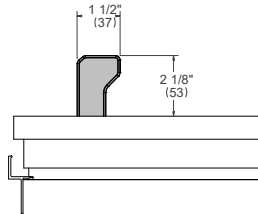
	36"	30"
<b>A</b>	35 3/4" (908)	29 3/4" (756)
<b>B</b>	16 1/2" (418)	13 1/2" (343)
<b>C</b>	14" (354.5)	11" (279.5)
<b>D</b>	7 1/8" (182)	6" (152)

Dimensions in parentheses are millimeters unless otherwise specified.  
 Minimum gap between custom door panels and adjacent cabinetry is 1/8" (3).

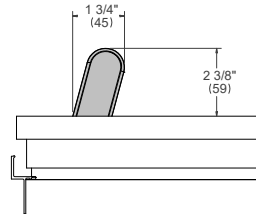
# Bottom Mount Refrigeration Handles



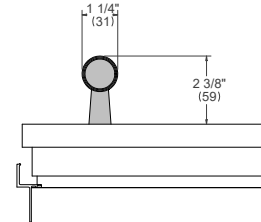
**PROFESSIONAL SERIES**  
**PROHK36PI**  
**PROHK30PI**



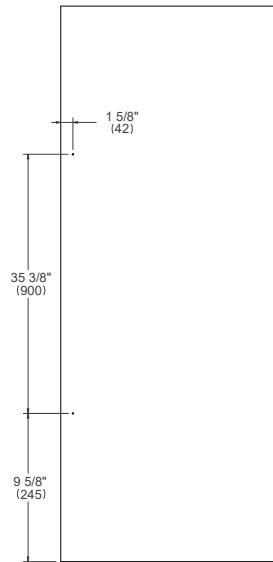
**MASTER SERIES**  
**MASHK36PI**  
**MASHK30PI**



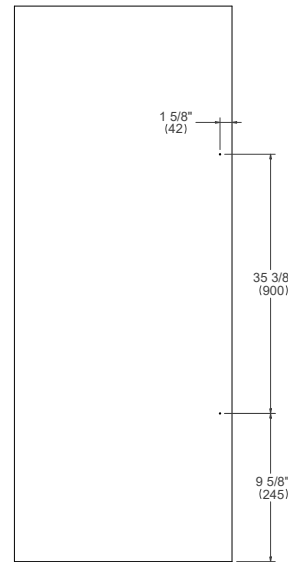
**HERITAGE SERIES**  
**HERHK36PI**  
**HERHK30PI**



**BERTAZZONI HANDLES**  
**DRILLING ON RIGHT SWING DOOR**



**BERTAZZONI HANDLES**  
**DRILLING ON LEFT SWING DOOR**



## HANDLE INSTALLATION ON CUSTOM PANELS

In case a custom panel is to be mounted on any of the models listed below with Bertazzoni handles, it will be necessary to install M5 x 0.8 mm brass tapping inserts in order to secure the handle properly on the custom panel. Recommended drill bit size to drill the pilot hole is 3/8". Suitable inserts can be ordered at [www.encompass.com](http://www.encompass.com)

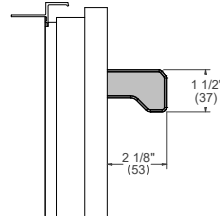
Part Number: 95631A100, contains n°4 M5 brass hardwood inserts and 1 M5 installation bit. Do not use a power tool to mount the inserts. Installation of the inserts with improperly calibrated power tools risk damaging the panels.

Dimensions in parentheses are millimeters unless otherwise specified.

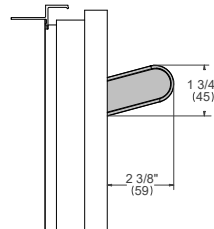
# Bottom Mount Refrigeration Handles



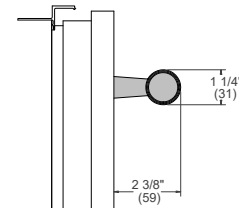
**PROFESSIONAL SERIES**  
**PROHK36PI**  
**PROHK30PI**



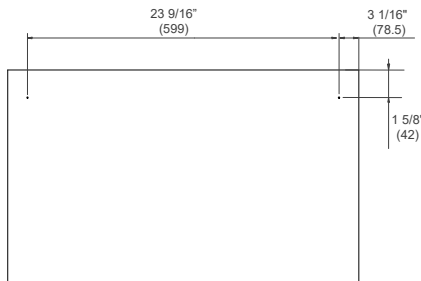
**MASTER SERIES**  
**MASHK36PI**  
**MASHK30PI**



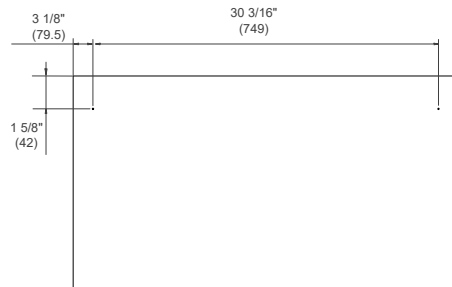
**HERITAGE SERIES**  
**HERHK36PI**  
**HERHK30PI**



**BERTAZZONI HANDLES**  
**DRILLING ON 30" (75CM) FREEZER DRAWER**



**BERTAZZONI HANDLES**  
**DRILLING ON 36" (90CM) FREEZER DRAWER**



## HANDLE INSTALLATION ON CUSTOM PANELS

In case a custom panel is to be mounted on any of the models listed below with Bertazzoni handles, it will be necessary to install M5 x 0.8 mm brass tapping inserts in order to secure the handle properly on the custom panel. Recommended drill bit size to drill the pilot hole is 3/8". Suitable inserts can be ordered at [www.encompass.com](http://www.encompass.com)

Part Number: 95631A100, contains n°4 M5 brass hardwood inserts and 1 M5 installation bit. Do not use a power tool to mount the inserts. Installation of the inserts with improperly calibrated power tools risk damaging the panels.

Dimensions in parentheses are millimeters unless otherwise specified.

---

# V TIER LINE UP



---

# BUILT-IN REFRIGERATOR COLUMNS



## BUILT-IN COLUMNS

Experience the ultimate design and technology with Bertazzoni's V tier columns. These masterpieces of style boast high-quality materials and attention to detail in all respects.

The reversible panel-ready doors<sup>(\*)</sup> are mounted on cutting-edge Hettich hinges, providing a seamless and weightless range of motion. With versatile installation options, you can create elegant configurations of the refrigerator, freezer and wine columns.

You can also customize your columns with optional stainless panels, handles, and finishes, available for every Series.

---

30"-24"  
Panel Ready



---

(\*) Exept 18" models.





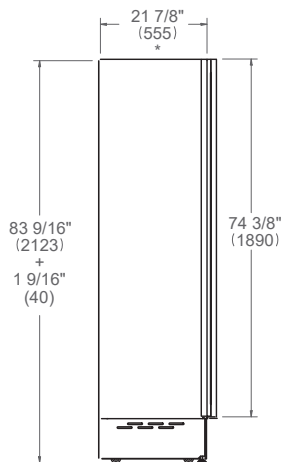
# 30" Refrigerator Column Panel Ready

## Dimensions

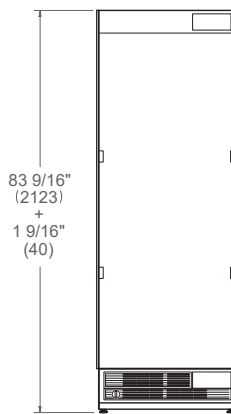


REF30RCBPNV reversible hinges

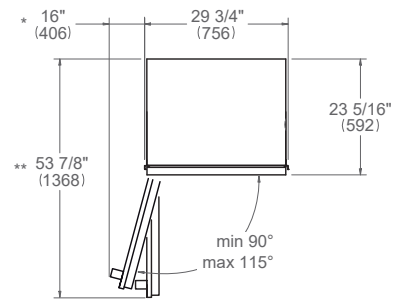
SIDE VIEW



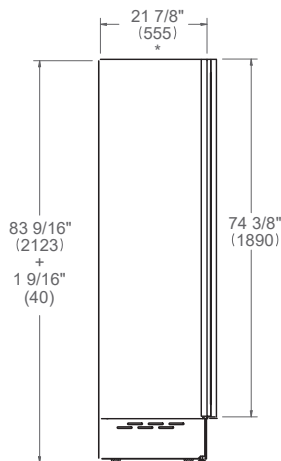
FRONT VIEW



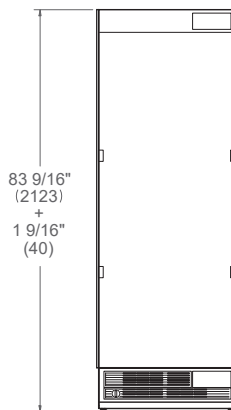
TOP VIEW



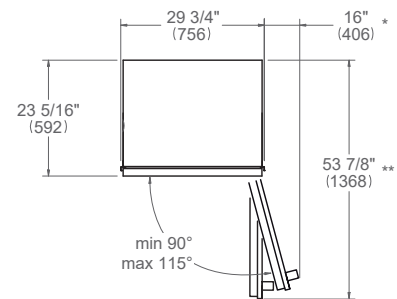
SIDE VIEW



FRONT VIEW



TOP VIEW



\* Depth without door  
 \*\* Maximum Overall Handle Dimension, 3/4" (19) Door Panel thickness  
 For custom panel dimensions see page 116  
 For detailed handle dimensions see page 118

Dimensions in parentheses are millimeters unless otherwise specified.  
 A matching stainless steel panel kit is available – SKU # SP30CX.  
 A matching Carbonio panel kit is available - SKU # SP30CC.

# 30" Refrigerator Column Panel Ready

## Installation requirements



### INSTALLATION

All Bertazzoni columns can be installed in a standard 25" depth cutout. Finish the edges of the opening because they may be visible when the door is open.

For a built-in installation, to cover gaps between the appliance and the adjacent cabinets, special side profiles are factory-installed and covering frames are provided with the product.

For panel ready columns, do not exceed the maximum weight of 66 pounds (30 kg) for door panel. Panels can have a thickness ranging between 3/4" (19 mm) and 1 1/2" (38 mm). For a flush installation in 25" deep cabinets, custom door panels should not be thicker than 15/16" (24 mm).

**For instructions of product combinations please see the Multiple Installation Section (page 112).**

### CABINET REQUIREMENT

Installation of the appliance must be performed in accordance with the provisions of applicable legislation.

Be sure that support of this appliance is perpendicular to the front facing of the wall or cabinet before you perform the installation.

The floor must be flat and must be capable of supporting the weight of the appliance when in use.

<b>Required floor support</b>	1200 lb (544 kg)
-------------------------------	------------------

### ELECTRICAL REQUIREMENT

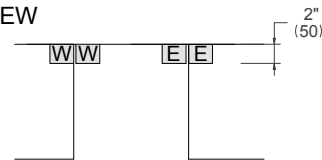
The installation must comply with all applicable electrical codes. A properly-grounded horizontally-mounted electrical receptacle should be installed.

Place the electrical supply flush with the back wall and within the shaded area shown in the illustrations.

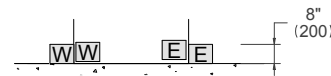
Placement within the opening may require additional cabinet depth.

For detailed installation specifications consult the multiple installation requirements page or each single product installation manual.

TOP VIEW



FRONT VIEW



A separate circuit breaker servicing only this appliance is recommended.

<b>Electrical supply</b>	115 V 60 Hz 112 W 2 Amp
<b>Service</b>	15 Amp dedicated circuit
<b>Power Connection</b>	NEMA 5-15P with 90" power cord

### PLUMBING REQUIREMENT

Bertazzoni Refrigerator Columns are provided with a water filter assembly which must be mounted on the bottom part of the unit. The appliance must be connected only to a potable water supply system.

To connect to water supply system (for appliances equipped with water dispenser), use a 1/4" waterline with accessible shut-off valve.

The system pressure must be between from 25 PSI to 80 PSI (between 1.7 and 5.5 Bar). Different pressures can cause malfunctions or leaks in the water system.

For information on how to purchase the water filter, please see the product spec sheet.

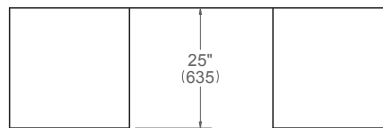
Dimensions in parentheses are millimeters unless otherwise specified.

# 30" Refrigerator Column Panel Ready

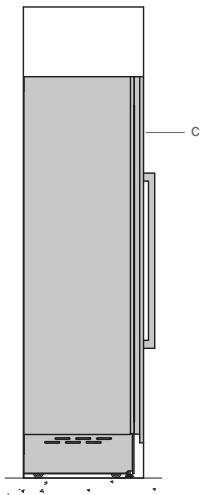
## Flush installation



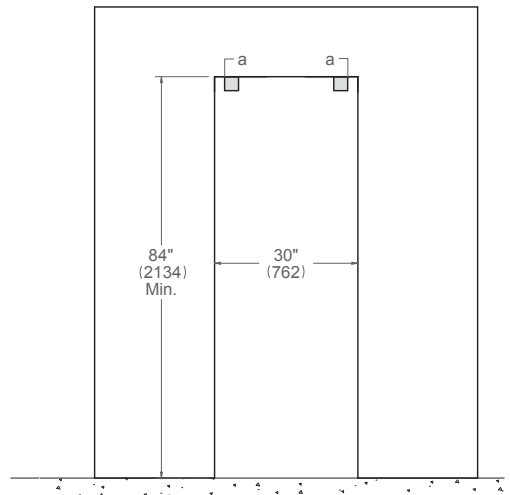
TOP VIEW<sup>b</sup>



SIDE VIEW



FRONT VIEW



- (a) Anti-tipping brackets included with appliance – 4"x3/16"
- (c) Panel dimensions available on Door Panel Specs, Built-in Food Preservation Design Guide or Installation Manual

Dimensions in parentheses are millimeters unless otherwise specified.

b: depth includes kitchen cabinet front panel.

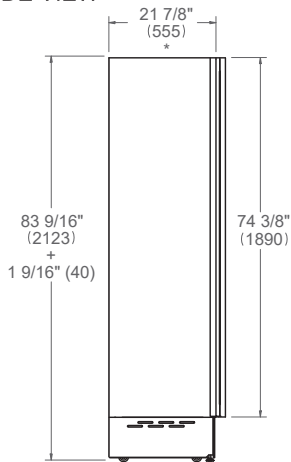
# 24" Refrigerator Column Panel Ready

## Dimensions

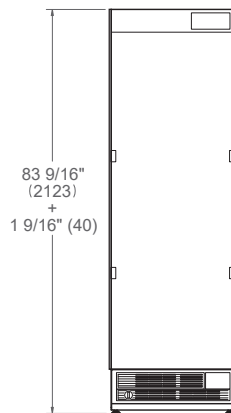


REF24RCBPNV reversible hinges

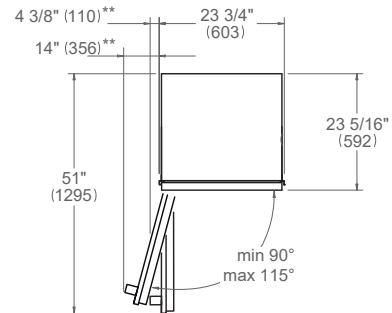
SIDE VIEW



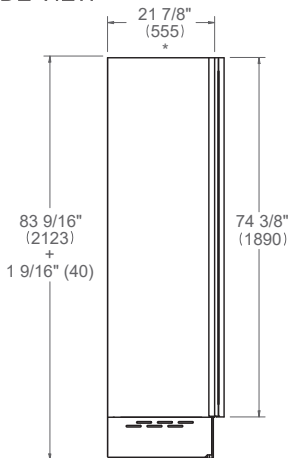
FRONT VIEW



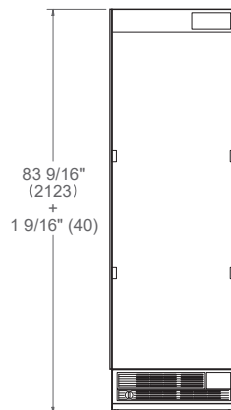
TOP VIEW



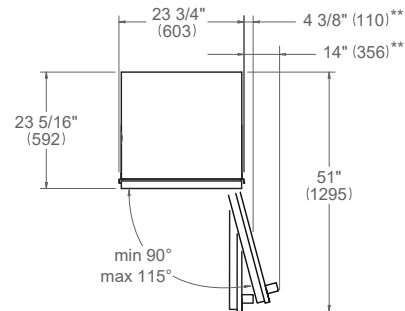
SIDE VIEW



FRONT VIEW



TOP VIEW



\* Depth without door

\*\* Maximum Overall Handle Dimension, 3/4" (19) Door Panel thickness

For custom panel dimensions see page 137

For detailed handle dimensions see page 139

Dimensions in parentheses are millimeters unless otherwise specified.

A matching stainless steel panel kit is available – SKU # SP24CX.

A matching Carbonio panel kit is available - SKU # SP24CC.

# 24" Refrigerator Column Panel Ready

## Installation requirements



### INSTALLATION

All Bertazzoni columns can be installed in a standard 25" depth cutout. Finish the edges of the opening because they may be visible when the door is open.

For a built-in installation, to cover gaps between the appliance and the adjacent cabinets, special side profiles are factory-installed and covering frames are provided with the product.

For panel ready columns, do not exceed the maximum weight of 66 pounds (30 kg) for door panel. Panels can have a thickness ranging between 3/4" (19 mm) and 1 1/2" (38 mm). For a flush installation in 25" deep cabinets, custom door panels should not be thicker than 15/16" (24 mm).

**For instructions of product combinations please see the Multiple Installation Section (page 112).**

### CABINET REQUIREMENT

Installation of the appliance must be performed in accordance with the provisions of applicable legislation.

Be sure that support of this appliance is perpendicular to the front facing of the wall or cabinet before you perform the installation.

The floor must be flat and must be capable of supporting the weight of the appliance when in use.

<b>Required floor support</b>	1200 lb (544 kg)
-------------------------------	------------------

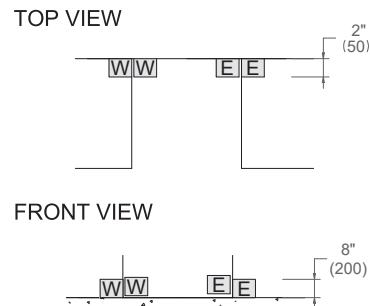
### ELECTRICAL REQUIREMENT

The installation must comply with all applicable electrical codes. A properly-grounded horizontally-mounted electrical receptacle should be installed.

Place the electrical supply flush with the back wall and within the shaded area shown in the illustrations.

Placement within the opening may require additional cabinet depth.

For detailed installation specifications consult the multiple installation requirements page or each single product installation manual.



A separate circuit breaker servicing only this appliance is recommended.

<b>Electrical supply</b>	115 V 60 Hz 112 W 2 Amp
<b>Service</b>	15 Amp dedicated circuit
<b>Power Connection</b>	NEMA 5-15P with 90" power cord

### PLUMBING REQUIREMENT

Bertazzoni Refrigerator Columns are provided with a water filter assembly which must be mounted on the bottom part of the unit. The appliance must be connected only to a potable water supply system.

To connect to water supply system (for appliances equipped with water dispenser), use a 1/4" waterline with accessible shut-off valve.

The system pressure must be between from 25 PSI to 80 PSI (between 1.7 and 5.5 Bar). Different pressures can cause malfunctions or leaks in the water system.

For information on how to purchase the water filter, please see the product spec sheet.

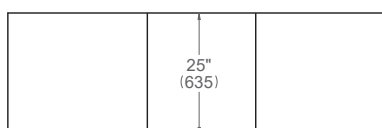
Dimensions in parentheses are millimeters unless otherwise specified.

# 24" Refrigerator Column Panel Ready

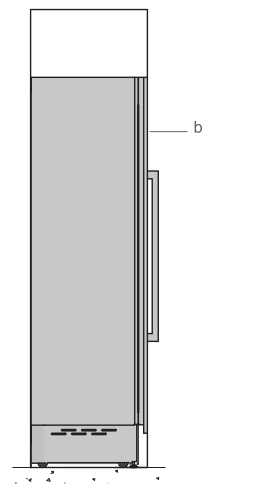
## Flush installation



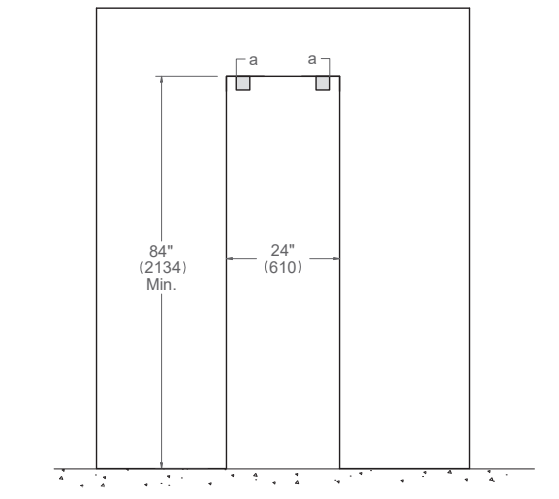
TOP VIEW<sup>b</sup>



SIDE VIEW



FRONT VIEW



- (a) Anti-tipping brackets included with appliance – 4"x3/16"
- (c) Panel dimensions available on Door Panel Specs, Built-in Food Preservation Design Guide or Installation Manual

Dimensions in parentheses are millimeters unless otherwise specified.

b: depth includes kitchen cabinet front panel.

---

# BUILT-IN FREEZER COLUMNS



---

24"-18"  
Panel Ready







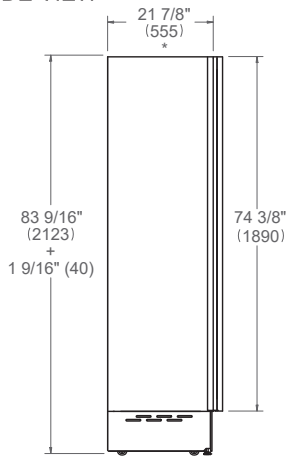
# 24" Freezer Column Panel Ready

## Dimensions

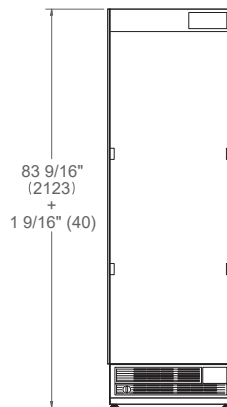


REF24FCBIPNV

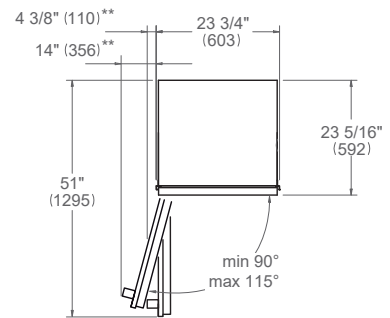
SIDE VIEW



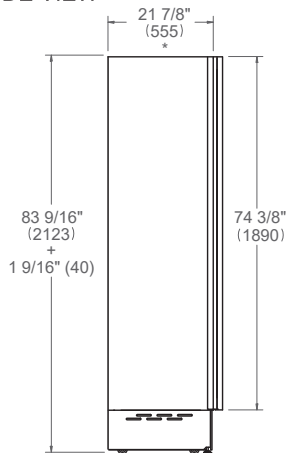
FRONT VIEW



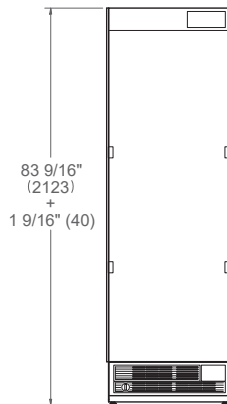
TOP VIEW



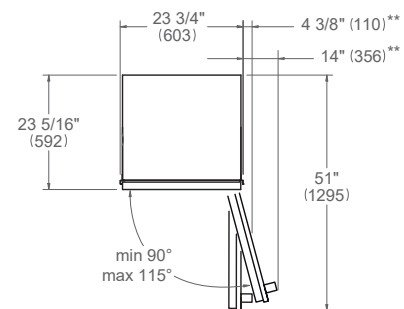
SIDE VIEW



FRONT VIEW



TOP VIEW



\* Depth without door

\*\* Maximum Overall Handle Dimension, 3/4" (19) Door Panel thickness

For custom panel dimensions see page 137

For detailed handle dimensions see page 139

Dimensions in parentheses are millimeters unless otherwise specified.

A matching stainless steel panel kit is available – SKU # SP24CX.

A matching Carbonio panel kit is available - SKU # SP24CC.

# 24" Freezer Column Panel Ready

## Installation requirements



### INSTALLATION

All Bertazzoni columns can be installed in a standard 25" depth cutout. Finish the edges of the opening because they may be visible when the door is open.

For a built-in installation, to cover gaps between the appliance and the adjacent cabinets, special side profiles are factory-installed and covering frames are provided with the product.

For panel ready columns, do not exceed the maximum weight of 66 pounds (30 kg) for door panel. Panels can have a thickness ranging between 3/4" (19 mm) and 1 1/2" (38 mm). For a flush installation in 25" deep cabinets, custom door panels should not be thicker than 15/16" (24 mm).

**For instructions of product combinations please see the Multiple Installation Section (page 112).**

### CABINET REQUIREMENT

Installation of the appliance must be performed in accordance with the provisions of applicable legislation.

Be sure that support of this appliance is perpendicular to the front facing of the wall or cabinet before you perform the installation.

The floor must be flat and must be capable of supporting the weight of the appliance when in use.

<b>Required floor support</b>	1200 lb (544 kg)
-------------------------------	------------------

### ELECTRICAL REQUIREMENT

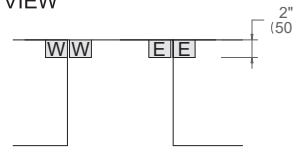
The installation must comply with all applicable electrical codes. A properly-grounded horizontally-mounted electrical receptacle should be installed.

Place the electrical supply flush with the back wall and within the shaded area shown in the illustrations.

Placement within the opening may require additional cabinet depth.

For detailed installation specifications consult the multiple installation requirements page or each single product installation manual.

TOP VIEW



FRONT VIEW



A separate circuit breaker servicing only this appliance is recommended.

<b>Electrical supply</b>	115 V 60 Hz 160 W 2 Amp
<b>Service</b>	15 Amp dedicated circuit
<b>Power Connection</b>	NEMA 5-15P with 90" power cord

### PLUMBING REQUIREMENTS

Bertazzoni Freezer Columns are provided with a water filter assembly which must be mounted on the bottom part of the unit.

The appliance must be connected only to a potable water supply system.

To connect to water supply system (for appliances equipped with water dispenser), use a 1/4" waterline with accessible shut-off valve.

The system pressure must be between from 25 PSI to 80 PSI (between 1.7 and 5.5 Bar). Different pressures can cause malfunctions or leaks in the water system.

For information on how to purchase the water filter, please see the product spec sheet.

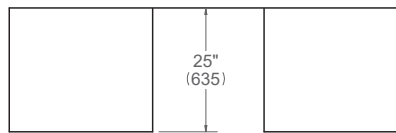
Dimensions in parentheses are millimeters unless otherwise specified.

# 24" Freezer Column Panel Ready

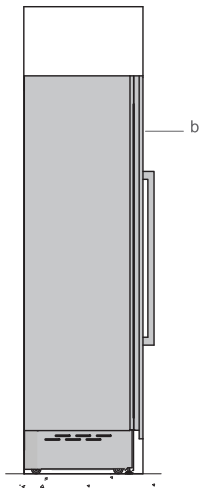
## Flush installation



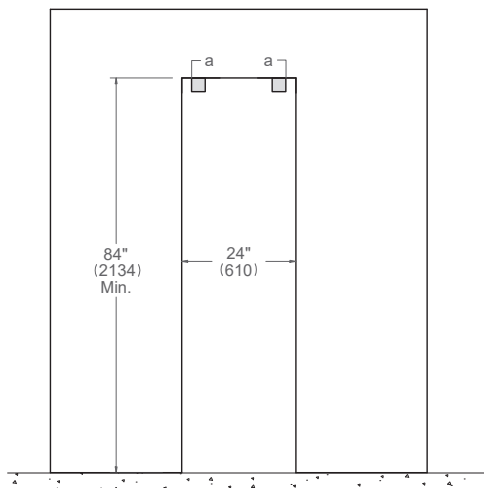
TOP VIEW<sup>b</sup>



SIDE VIEW



FRONT VIEW



- (a) Anti-tipping brackets included with appliance – 4"x3/16"
- (c) Panel dimensions available on Door Panel Specs, Built-in Food Preservation Design Guide or Installation Manual

Dimensions in parentheses are millimeters unless otherwise specified.

b: depth includes kitchen cabinet front panel.

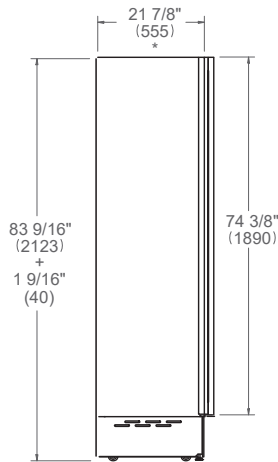
# 18" Freezer Column Panel Ready

## Dimensions

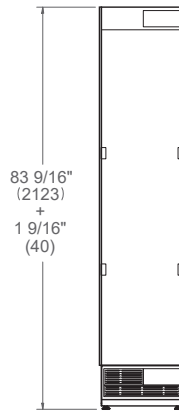


REF18FCBIPRV left hinge  
REF18FCBIPRV right hinge

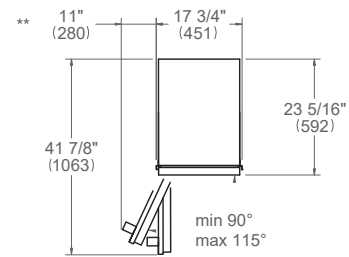
SIDE VIEW



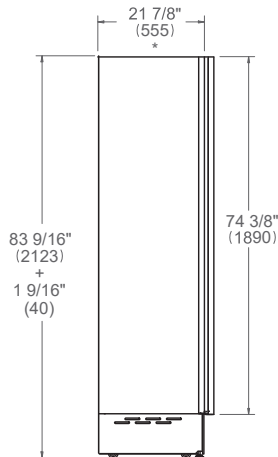
FRONT VIEW



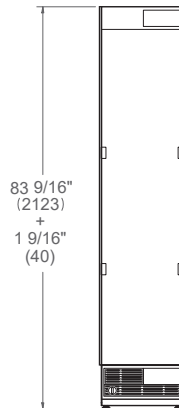
TOP VIEW



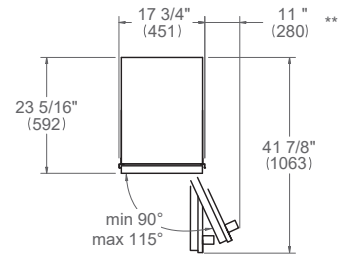
SIDE VIEW



FRONT VIEW



TOP VIEW



\* Depth without door  
\*\* Maximum Overall Handle Dimension, 3/4" (19) Door Panel thickness  
For custom panel dimensions see page 116  
For detailed handle dimensions see page 118

Dimensions in parentheses are millimeters unless otherwise specified.  
A matching stainless steel panel kit is available – SKU # SP18CX.  
A matching Carbonio panel kit is available - SKU # SP18CC.

# 18" Freezer Column Panel Ready

## Installation requirements



### INSTALLATION

All Bertazzoni columns can be installed in a standard 25" depth cutout. Finish the edges of the opening because they may be visible when the door is open.

For a built-in installation, to cover gaps between the appliance and the adjacent cabinets, special side profiles are factory-installed and covering frames are provided with the product.

For panel ready columns, do not exceed the maximum weight of 66 pounds (30 kg) for door panel. Panels can have a thickness ranging between 3/4" (19 mm) and 1 1/2" (38 mm). For a flush installation in 25" deep cabinets, custom door panels should not be thicker than 15/16" (24 mm).

**For instructions of product combinations please see the Multiple Installation Section (page 112).**

### CABINET REQUIREMENT

Installation of the appliance must be performed in accordance with the provisions of applicable legislation.

Be sure that support of this appliance is perpendicular to the front facing of the wall or cabinet before you perform the installation.

The floor must be flat and must be capable of supporting the weight of the appliance when in use.

<b>Required floor support</b>	1200 lb (544 kg)
-------------------------------	------------------

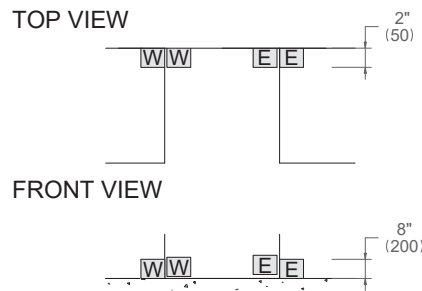
### ELECTRICAL REQUIREMENT

The installation must comply with all applicable electrical codes. A properly-grounded horizontally-mounted electrical receptacle should be installed.

Place the electrical supply flush with the back wall and within the shaded area shown in the illustrations.

Placement within the opening may require additional cabinet depth.

For detailed installation specifications consult the multiple installation requirements page or each single product installation manual.



A separate circuit breaker servicing only this appliance is recommended.

<b>Electrical supply</b>	115 V 60 Hz 160 W 2 Amp
<b>Service</b>	15 Amp dedicated circuit
<b>Power Connection</b>	NEMA 5-15P with 90" power cord

### PLUMBING REQUIREMENTS

Bertazzoni Freezer Columns are provided with a water filter assembly which must be mounted on the bottom part of the unit.

The appliance must be connected only to a potable water supply system.

To connect to water supply system (for appliances equipped with water dispenser), use a 1/4" waterline with accessible shut-off valve.

The system pressure must be between from 25 PSI to 80 PSI (between 1.7 and 5.5 Bar). Different pressures can cause malfunctions or leaks in the water system.

For information on how to purchase the water filter, please see the product spec sheet.

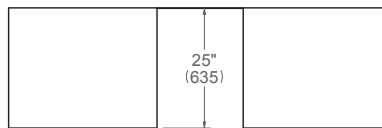
Dimensions in parentheses are millimeters unless otherwise specified.

# 18" Freezer Column Panel Ready

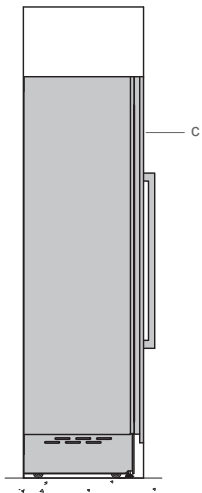
## Flush installation



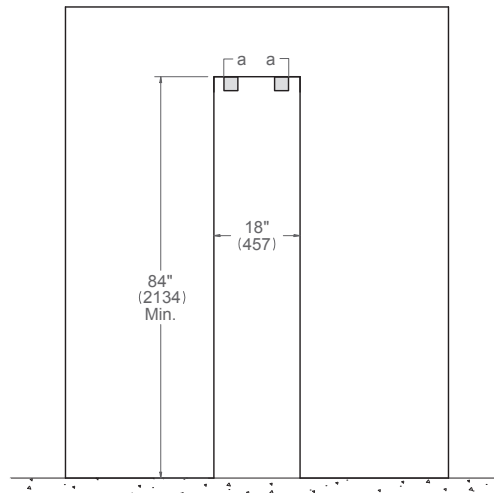
TOP VIEW<sup>b</sup>



SIDE VIEW



FRONT VIEW



- (a) Anti-tipping brackets included with appliance – 4"x3/16"
- (c) Panel dimensions available on Door Panel Specs, Built-in Food Preservation Design Guide or Installation Manual

Dimensions in parentheses are millimeters unless otherwise specified.

b: depth includes kitchen cabinet front panel.

---

# BUILT-IN WINE COLUMNS



---

24" - 18"  
Panel Ready







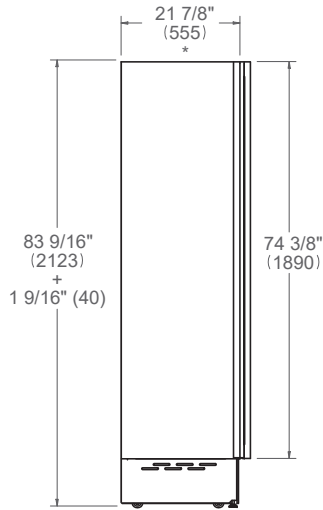
# 24" Wine Column Panel Ready

## Dimensions

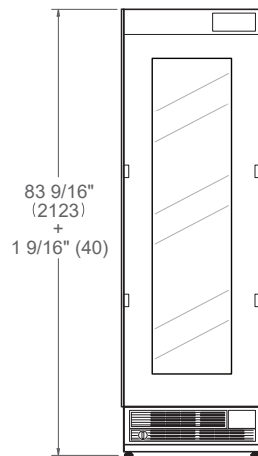


REF24WCBPNV

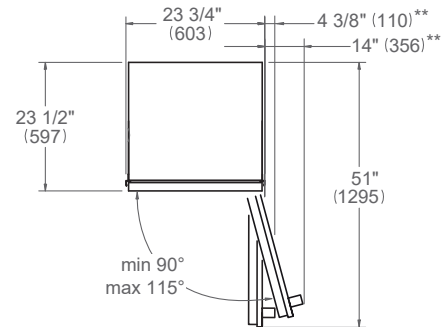
SIDE VIEW



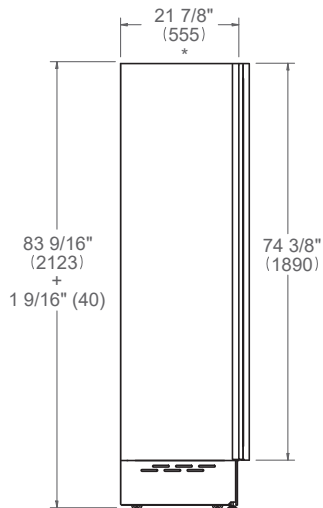
FRONT VIEW



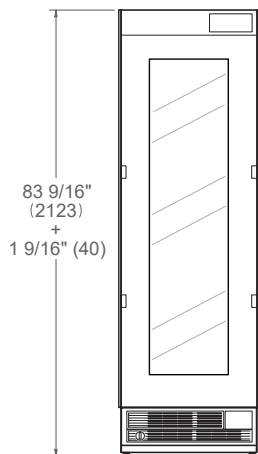
TOP VIEW



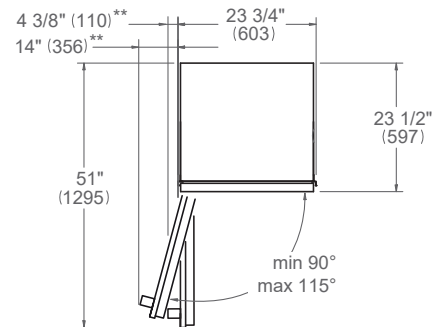
SIDE VIEW



FRONT VIEW



TOP VIEW



\* Maximum Overall Handle Dimension

\*\* 3/4" (19mm) Door Panel thickness

For custom panel dimensions see page 137

For detailed handle dimensions see page 139

Dimensions in parentheses are millimeters unless otherwise specified.

A matching stainless steel panel kit is available – SKU #SP24WXV.

A matching Carbonio panel kit is available - SKU # SP24WCC.

# 24" Wine Column Panel Ready

## Installation requirements



### INSTALLATION

All Bertazzoni columns can be installed in a standard 25" depth cutout.

Finish the edges of the opening because they may be visible when the door is open.

For a built-in installation, to cover gaps between the appliance and the adjacent cabinets, special side profiles are factory-installed and covering frames are provided with the product.

For panel ready columns, do not exceed the maximum weight of 66 pounds (30 kg) for door panel. Panels can have a thickness ranging between 3/4" (19 mm) and 1 1/2" (38 mm). For a flush installation in 25" deep cabinets, custom door panels should not be thicker than 3/4" (19 mm).

**For instructions of product combinations please see the Multiple Installation Section (page 59).**

### CABINET REQUIREMENT

Installation of the appliance must be performed in accordance with the provisions of applicable legislation.

Be sure that support of this appliance is perpendicular to the front facing of the wall or cabinet before you perform the installation.

The floor must be flat and must be capable of supporting the weight of the appliance when in use.

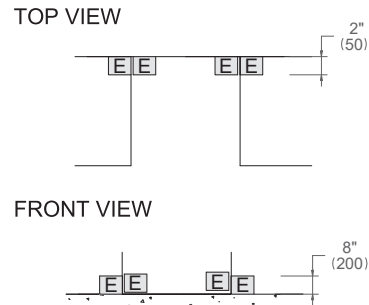
<b>Required floor support</b>	1200 lb (544 kg)
-------------------------------	------------------

### ELECTRICAL REQUIREMENT

The installation must comply with all applicable electrical codes. A properly-grounded horizontally-mounted electrical receptacle should be installed.

Place the electrical supply flush with the back wall and within the shaded area shown in the illustrations.

Placement within the opening may require additional cabinet depth.



A separate circuit breaker servicing only this appliance is recommended.

<b>Electrical supply</b>	115 V 60 Hz 150 W 1.5 Amp
<b>Service</b>	15 Amp dedicated circuit
<b>Power Connection</b>	NEMA 5-15P with 90" power cord

For detailed installation specifications consult the multiple installation requirements page or each single product installation manual.

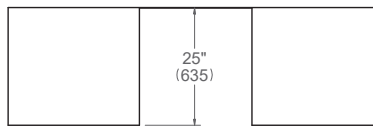
Dimensions in parentheses are millimeters unless otherwise specified.

# 24" Wine Column Panel Ready

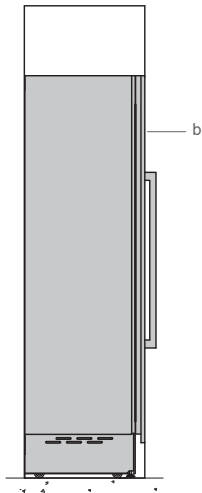
## Flush installation



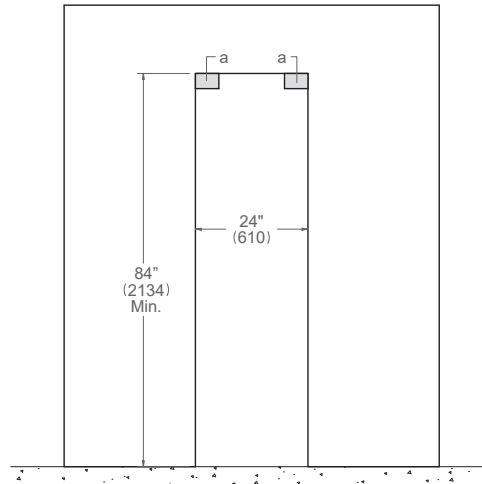
TOP VIEW<sup>b</sup>



SIDE VIEW



FRONT VIEW



- (a) Anti-tipping brackets included with appliance – 4" x 3/16"
- (c) Panel dimensions available on Built-in Food Preservation Design Guide or Installation Manual

Dimensions in parentheses are millimeters unless otherwise specified.

b: depth includes kitchen cabinet front panel.

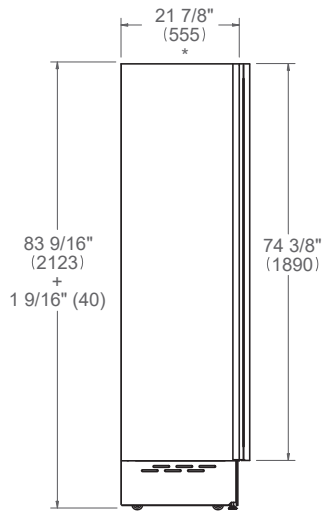
# 18" Wine Column Panel Ready

## Dimensions

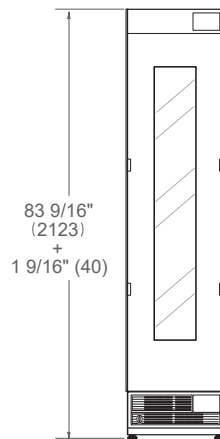


REF18WCBPLV left hinge  
REF18WCBPRV right hinge

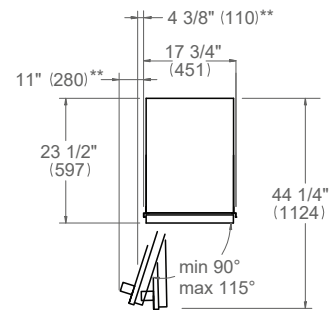
SIDE VIEW



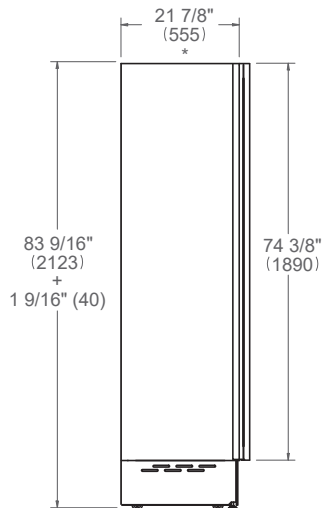
FRONT VIEW



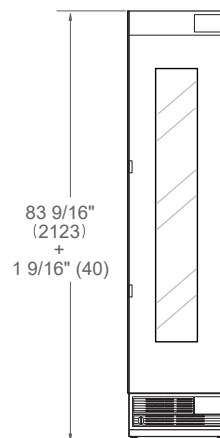
TOP VIEW



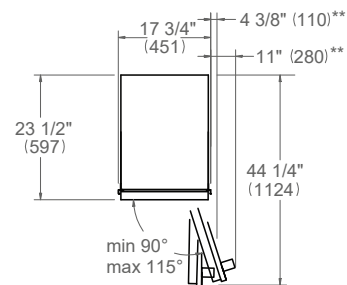
SIDE VIEW



FRONT VIEW



TOP VIEW



\* Maximum Overall Handle Dimension

\*\* 3/4" (19mm) Door Panel thickness

For custom panel dimensions see page 137

For detailed handle dimensions see page 139

Dimensions in parentheses are millimeters unless otherwise specified.

A matching stainless steel panel kit is available – SKU #SP18WXV.

A matching Carbonio panel kit is available - SKU # SP18WCC.

# 18" Wine Column Panel Ready

## Installation requirements



### INSTALLATION

All Bertazzoni columns can be installed in a standard 25" depth cutout.

Finish the edges of the opening because they may be visible when the door is open.

For a built-in installation, to cover gaps between the appliance and the adjacent cabinets, special side profiles are factory-installed and covering frames are provided with the product.

For panel ready columns, do not exceed the maximum weight of 66 pounds (30 kg) for door panel. Panels can have a thickness ranging between 3/4" (19 mm) and 1 1/2" (38 mm). For a flush installation in 25" deep cabinets, custom door panels should not be thicker than 3/4" (19 mm).

**For instructions of product combinations please see the Multiple Installation Section (page 59).**

### CABINET REQUIREMENT

Installation of the appliance must be performed in accordance with the provisions of applicable legislation.

Be sure that support of this appliance is perpendicular to the front facing of the wall or cabinet before you perform the installation.

The floor must be flat and must be capable of supporting the weight of the appliance when in use.

<b>Required floor support</b>	1200 lb (544 kg)
-------------------------------	------------------

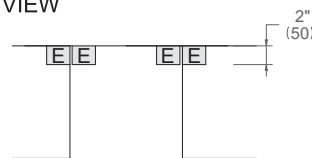
### ELECTRICAL REQUIREMENT

The installation must comply with all applicable electrical codes. A properly-grounded horizontally-mounted electrical receptacle should be installed.

Place the electrical supply flush with the back wall and within the shaded area shown in the illustrations.

Placement within the opening may require additional cabinet depth.

TOP VIEW



FRONT VIEW



A separate circuit breaker servicing only this appliance is recommended.

<b>Electrical supply</b>	115 V 60 Hz 150 W 1.5 Amp
<b>Service</b>	15 Amp dedicated circuit
<b>Power Connection</b>	NEMA 5-15P with 90" power cord

For detailed installation specifications consult the multiple installation requirements page or each single product installation manual.

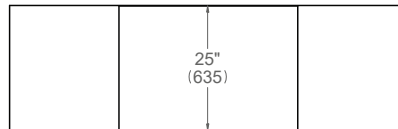
Dimensions in parentheses are millimeters unless otherwise specified.

# 18" Wine Column Panel Ready

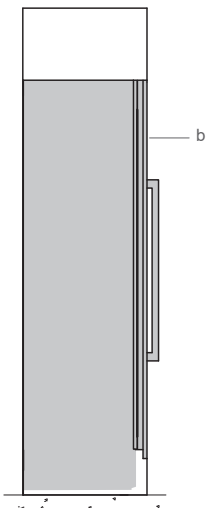
## Flush installation



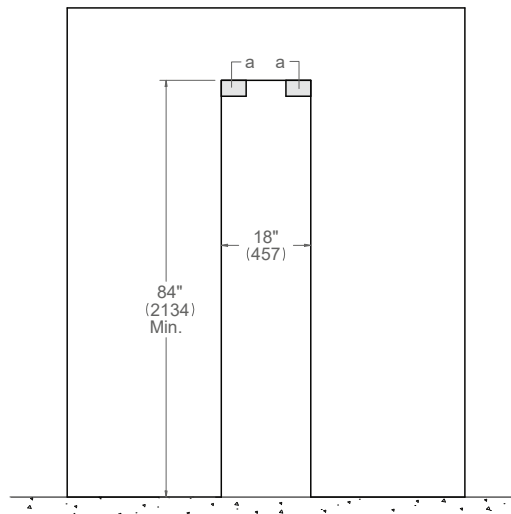
TOP VIEW <sup>b</sup>



SIDE VIEW



FRONT VIEW



- (a) Anti-tipping brackets included with appliance – 4" x 3/16"
- (c) Panel dimensions available on Built-in Food Preservation Design Guide or Installation Manual

Dimensions in parentheses are millimeters unless otherwise specified.

b: depth includes kitchen cabinet front panel.

---

# COLUMNS MULTIPLE INSTALLATIONS







# Multiple installations

## Installation requirements



### INSTALLATION

All Bertazzoni columns can be installed in a standard 25" depth cutout. Finish the edges of the opening because they may be visible when the door is open.

For a built-in installation, to cover gaps between the appliances and the adjacent cabinets, special side profiles are factory-installed and covering frames are provided with the product.

For panel ready columns, do not exceed the maximum weight of 66 pounds (30 kg) for door panel. Panels can have a thickness ranging between 3/4" (19 mm) and 1 1/2" (38 mm). For a flush installation in 25" deep cabinets, custom door panels should not be thicker than 15/16" (24mm).

**For instructions of product combinations please see the Multiple Installation Section (page 112).**

### CABINET REQUIREMENT

Installation of the appliances must be performed in accordance with the provisions of applicable legislation.

Be sure that support of these appliances is perpendicular to the front facing of the wall or cabinet before you perform the installation.

The floor must be flat and must be capable of supporting the weight of all the appliances when in use. Please see any single product installation manual for required floor support.

### ELECTRICAL REQUIREMENT

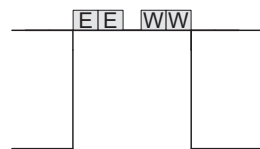
The installation must comply with all applicable electrical codes. A properly-grounded horizontally-mounted electrical receptacle should be installed.

Place the electrical supply flush with the back wall and within the shaded area shown in the illustrations.

Placement within the opening may require additional cabinet depth.

For detailed installation specifications consult the multiple installation requirements page or each single product installation manual.

### TOP VIEW



### FRONT VIEW



A separate 15 Amp circuit breaker servicing only these appliances is recommended.

### PLUMBING REQUIREMENTS

Bertazzoni Refrigerator and Freezer Columns are provided with a water filter assembly which must be mounted on the bottom part of the unit.

The appliances must be connected only to a potable water supply system.

To connect to water supply system (for appliances equipped with water dispenser), use a 1/4" waterline with accessible shut-off valve.

The system pressure must be between from 25 PSI to 80 PSI (between 1.7 and 5.5 Bar). Different pressures can cause malfunctions or leaks in the water system.

For information on how to purchase the water filter, please see the product spec sheet.

Dimensions in parentheses are millimeters unless otherwise specified.

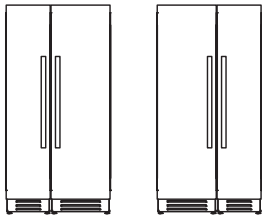
# 42" Double Configurations

## Flush installation

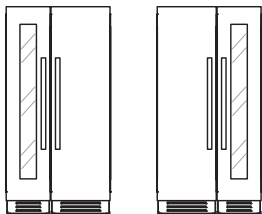


### POSSIBLE COMBINATIONS <sup>c</sup>

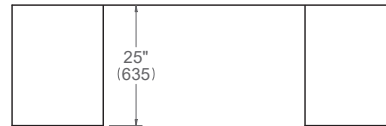
REF24RCBPNV  
REF18FCBIP(L/R)V



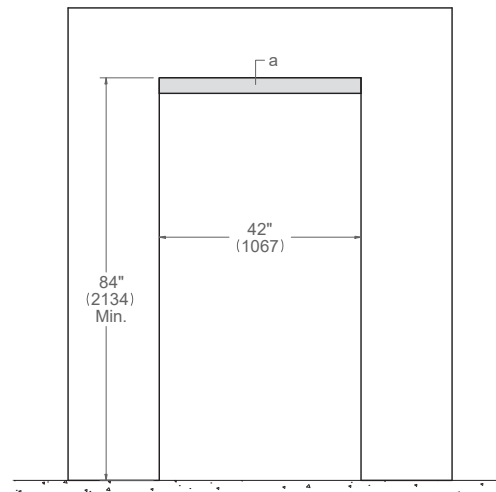
REF24RCBPNV  
REF18WCBP(L/R)V



### TOP VIEW <sup>b</sup>



### FRONT VIEW



a: Anti-tipping brackets included with appliance – 42"x3/16"  
b: Depth includes kitchen cabinet front panel.

Dimensions in parentheses are millimeters unless otherwise specified.

All Freezer and Wine Columns are supplied with a vertical connector trim for multiple columns installations.  
No additional accessories are needed.

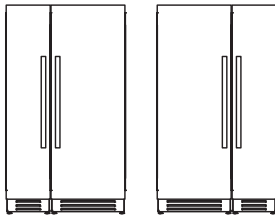
# 48" Double Configurations

## Flush installation

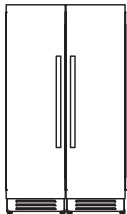


### POSSIBLE COMBINATIONS <sup>c</sup>

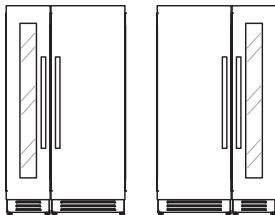
REF30RCBPNV  
REF18FCBIP(R/L)V



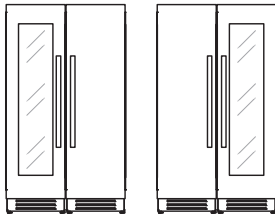
REF24RCBPNV  
REF24FCBIPNV



REF30RCBPNV  
REF18WCBP(L/R)V



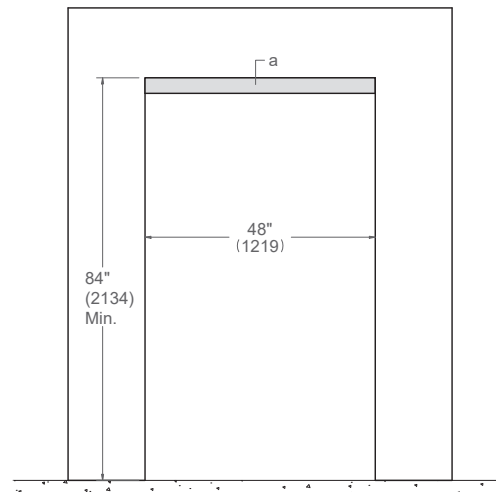
REF24RCBPNV  
REF24WCBPNV



### TOP VIEW <sup>b</sup>



### FRONT VIEW



a: Anti-tipping brackets included with appliance – 48"x3/16"

b: Depth includes kitchen cabinet front panel.

Dimensions in parentheses are millimeters unless otherwise specified.

All Freezer and Wine Columns are supplied with a vertical connector trim for multiple columns installations.

No additional accessories are needed.

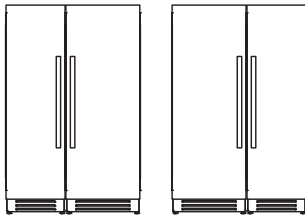
# 54" Double Configurations

## Flush installation

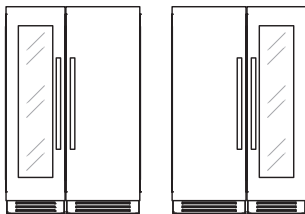


### POSSIBLE COMBINATIONS

REF30RCBPNV  
REF24FCBIPNV



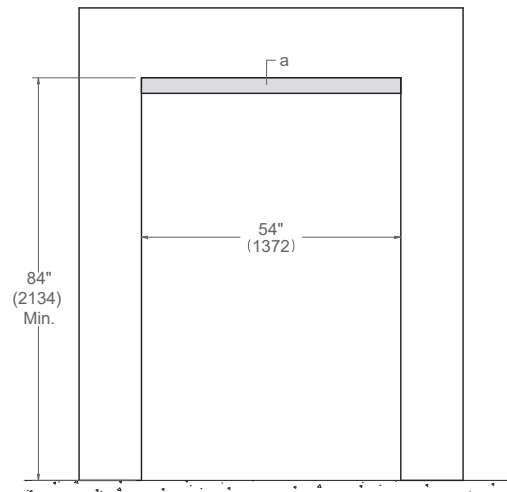
REF30RCBPNV  
REF24WCBPNV



### TOP VIEW<sup>b</sup>



### FRONT VIEW



a: Anti-tipping brackets included with appliance – 54"x3/16"

b: Depth includes kitchen cabinet front panel.

Dimensions in parentheses are millimeters unless otherwise specified.

All Freezer and Wine Columns are supplied with a vertical connector trim for multiple columns installations.

No additional accessories are needed.

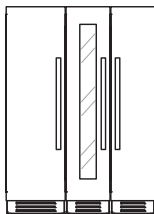
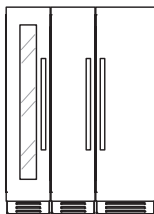
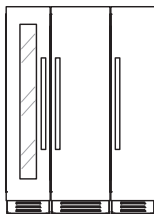
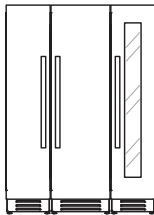
# 60" Triple Configurations

## Flush installation



### POSSIBLE COMBINATIONS

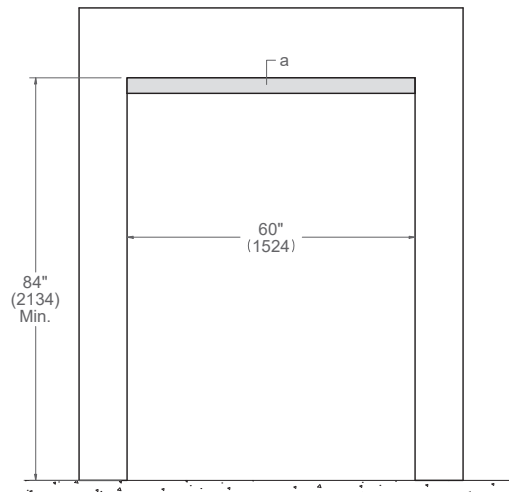
REF24RCBPNV  
REF18FCBIP(L/R)V  
REF18WCBP(L/R)V



### TOP VIEW<sup>b</sup>



### FRONT VIEW



a: Anti-tipping brackets included with appliance – 60"x3/16"

b: Depth includes kitchen cabinet front panel.

Dimensions in parentheses are millimeters unless otherwise specified.

All Freezer and Wine Columns are supplied with a vertical connector trim for multiple columns installations.

No additional accessories are needed.

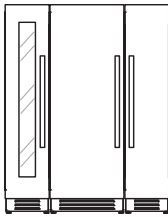
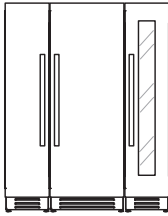
# 66" Triple Configurations

## Flush installation

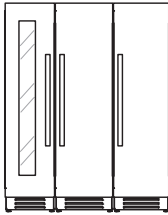


### POSSIBLE COMBINATIONS

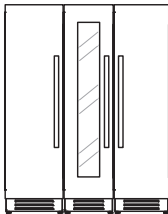
REF30RCBPNV  
REF18FCBIP(L/R)V  
REF18WCBP(L/R)V



REF24RCBPNV  
REF24FCBIPNV  
REF18WCBP(L/R)V



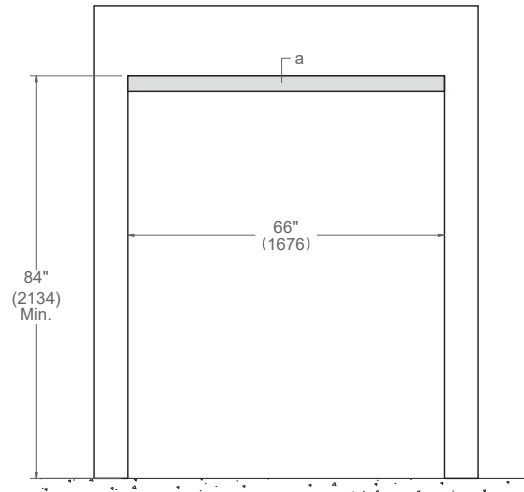
REF24RCBPNV  
REF18FCBIP(L/R)V  
REF24WCBPNV



### TOP VIEW<sup>b</sup>



### FRONT VIEW



a: Anti-tipping brackets included with appliance – 66"x3/16"

b: Depth includes kitchen cabinet front panel.

Dimensions in parentheses are millimeters unless otherwise specified.

All Freezer and Wine Columns are supplied with a vertical connector trim for multiple columns installations.

No additional accessories are needed.

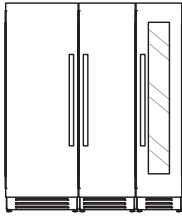
# 72" Triple Configurations

## Flush installation

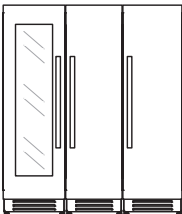
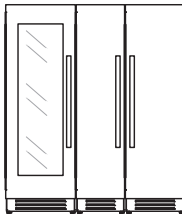


### POSSIBLE COMBINATIONS

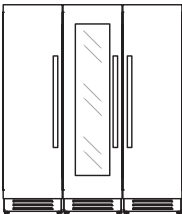
REF30RCBPNV  
REF24FCBIPNV  
REF18WCBP(L/R)V



REF30RCBPNV  
REF18FCBIP(L/R)V  
REF24WCBPNV



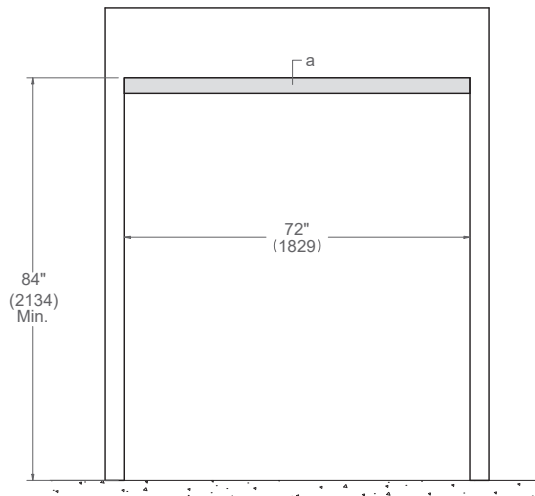
REF24RCBPNV  
REF24FCBIPNV  
REF24WCBPNV



### TOP VIEW<sup>b</sup>



### FRONT VIEW



a: Anti-tipping brackets included with appliance – 72"x3/16"

b: Depth includes kitchen cabinet front panel.

Dimensions in parentheses are millimeters unless otherwise specified.

All Freezer and Wine Columns are supplied with a vertical connector trim for multiple columns installations.

No additional accessories are needed.

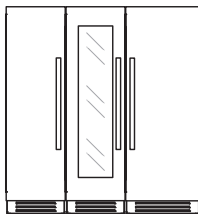
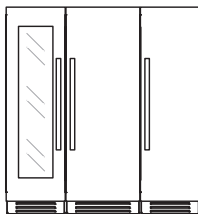
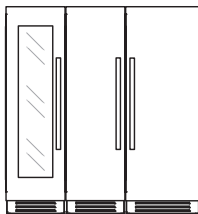
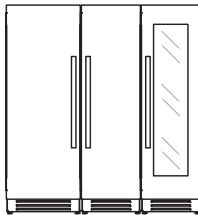
# 78" Triple Configurations

## Flush installation



### POSSIBLE COMBINATIONS

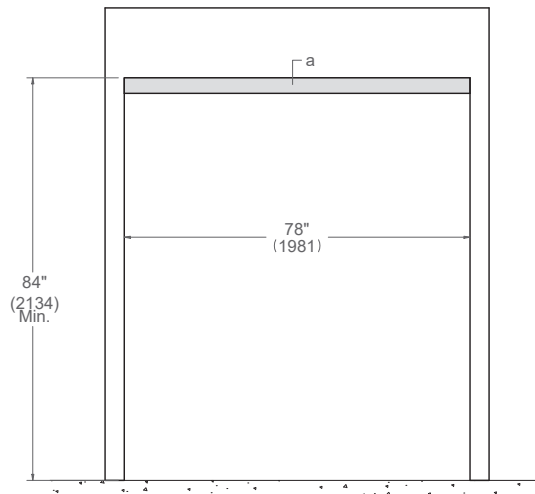
REF30RCBPNV  
REF24FCBIPNV  
REF24WCBPNV



### TOP VIEW<sup>b</sup>



### FRONT VIEW



a: Anti-tipping brackets included with appliance – 78"x3/16"

b: Depth includes kitchen cabinet front panel.

Dimensions in parentheses are millimeters unless otherwise specified.

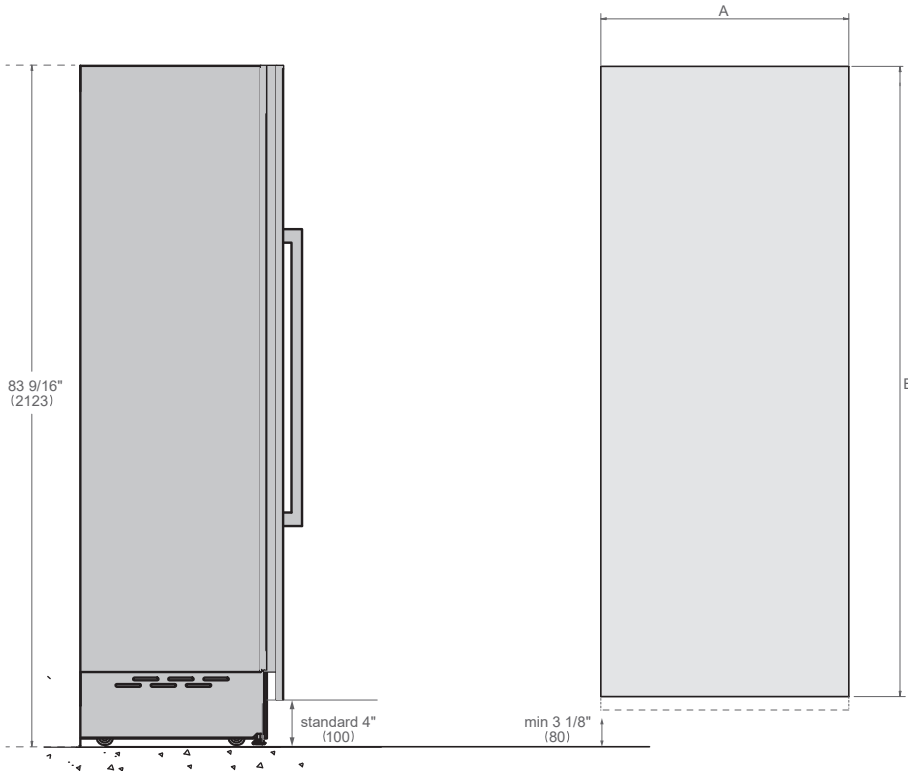
All Freezer and Wine Columns are supplied with a vertical connector trim for multiple columns installations. No additional accessories are needed.



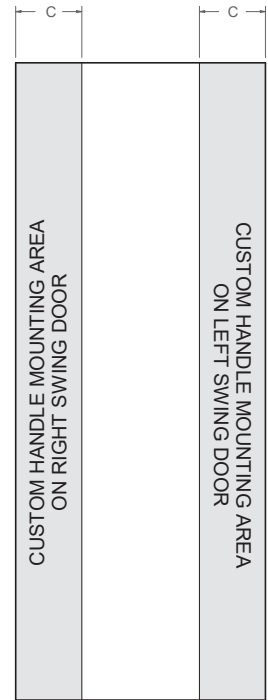
# Custom Door Panel



## COLUMNS REAR PANEL DRILLING



## CUSTOM HANDLES MOUNTING AREA



The drilling templates for the panels are included in the refrigerator packaging.

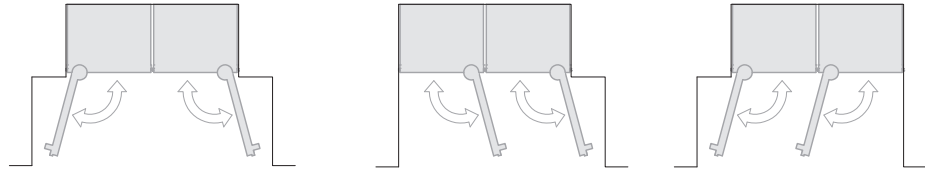
	<b>30"</b>	<b>24"</b>	<b>18"</b>
<b>A</b>	29 3/4" (756)	23 3/4" (603)	17 3/4" (451)
<b>B</b>	79 15/16" (2030)	79 15/16" (2030)	79 15/16" (2030)
<b>C</b>	6" (152)	4 3/4" (121)	3 5/8" (92)

Dimensions in parentheses are millimeters unless otherwise specified.  
Minimum gap between custom door panels and adjacent cabinetry is 1/8" (3).

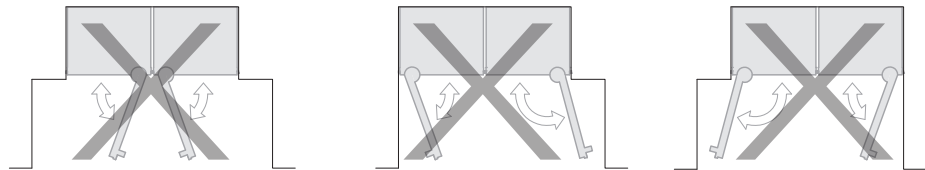
# Recommended Installations



## RECOMMENDED INSTALLATIONS



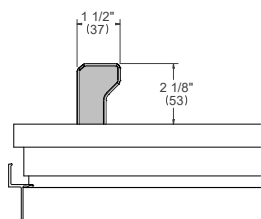
## NOT RECOMMENDED INSTALLATIONS



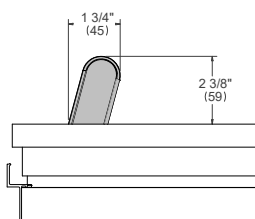
# Refrigeration Handles



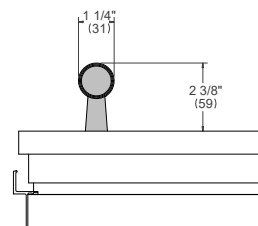
**PROFESSIONAL SERIES  
PROHKCOL  
PROHKCOLT**



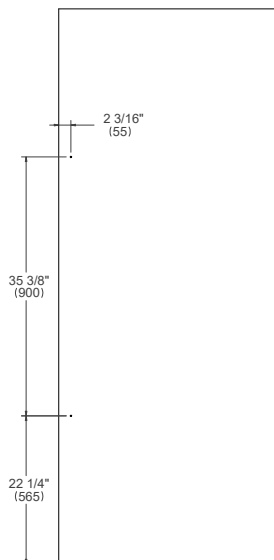
**MASTER SERIES  
MASHKCOL**



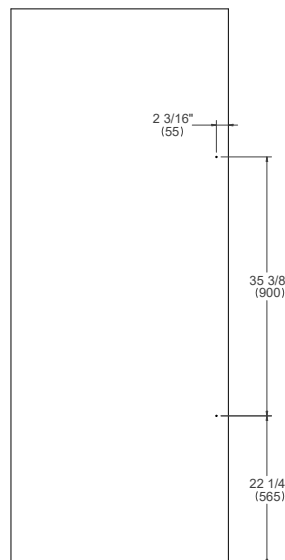
**HERITAGE SERIES  
HERHKCOL**



**BERTAZZONI HANDLES  
DRILLING ON RIGHT SWING DOOR**



**BERTAZZONI HANDLES  
DRILLING ON LEFT SWING DOOR**



## HANDLE INSTALLATION ON CUSTOM PANELS

In case a custom panel is to be mounted on any of the models listed below with Bertazzoni handles, it will be necessary to install M5 x 0.8 mm brass tapping inserts in order to secure the handle properly on the custom panel. Recommended drill bit size to drill the pilot hole is 3/8". Suitable inserts can be ordered at [www.encompass.com](http://www.encompass.com)

Part Number: 95631A100, contains n°4 M5 brass hardwood inserts and 1 M5 installation bit. Do not use a power tool to mount the inserts. Installation of the inserts with improperly calibrated power tools risk damaging the panels.

Dimensions in parentheses are millimeters unless otherwise specified.

---

# BUILT-IN BOTTOM MOUNT AND FRENCH DOOR REFRIGERATORS

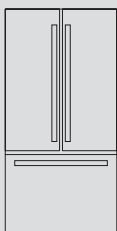


Experience the perfect combination of design and technology with Bertazzoni's Premium tier refrigerators. These masterpieces of style reflect our meticulous attention to detail and are designed to retain your food's nutritional value, vitamins, minerals, and texture for longer.

With a true flush installation in a standard depth cabinet and reversible panel-ready doors, they seamlessly integrate with any adjacent cabinetry. You can even install them side-by-side with CTXV connection kit, doubling your refrigerator space. Customize your refrigerators with optional stainless panels and Professional, Master, or Heritage Series handles to match your other kitchen appliances. Our 36" and 30" bottom-mount models and 36" French door refrigerator feature Hettich hinges that allow a minimal vertical gap of 1/8" between adjacent front cabinet panels, creating clean lines in your kitchen.

---

36"  
French Door



36"  
Panel Ready



30"  
Panel Ready





# 36" French Door Bottom Mount Panel Ready

## Dimensions



REF36FDBZPNV/24

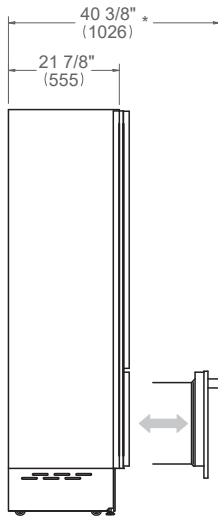
### Handle choices

Professional Series: HK36PROFDBXV

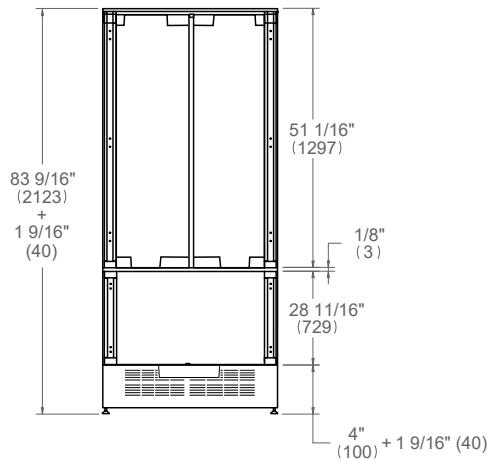
Master series: HK36MASFDBXV

Heritage Series: HK36HERFDBXV

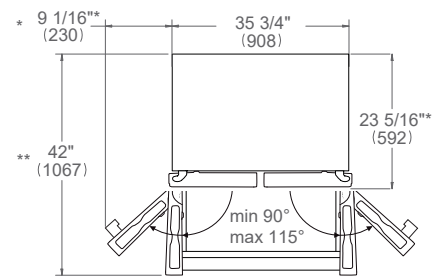
SIDE VIEW



FRONT VIEW



TOP VIEW



\* Maximum Overall Handle Dimension

\*\* 3/4" (19mm) Door Panel thickness

For custom panel dimensions see page 136

For detailed handle dimensions see page 138

Dimensions in parentheses are millimeters unless otherwise specified.

A matching stainless steel panel kit is available - SKU# SP36FDX/24.

A matching Carbonio panel kit is available - SKU # SP36FDCV

# 36" French Door Bottom Mount Panel Ready

## Installation requirements



### CABINET REQUIREMENT

Installation of the appliance must be performed in accordance with the provisions of applicable legislation.

Be sure that support of this appliance is perpendicular to the front facing of the wall or cabinet before you perform the installation.

The floor must be flat and must be capable of supporting the weight of the appliance when in use.

<b>Required floor support</b>	1200 lb (544 kg)
-------------------------------	------------------

For panel ready french door refrigerator, do not exceed the maximum weight of 44 pounds (20 kg) for door panels and 20 pounds (9 kg) for drawer panel.

Panels can have a thickness of 3/4" (19 mm). For a flush installation in 25" deep cabinets, custom door panels should not be thicker than 3/4" (19 mm).

### ELECTRICAL REQUIREMENT

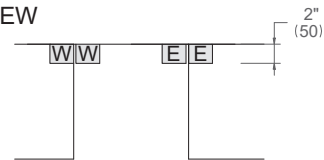
The installation must comply with all applicable electrical codes. A properly-grounded horizontally-mounted electrical receptacle should be installed.

Place the electrical supply flush with the back wall and within the shaded area shown in the illustrations.

Placement within the opening may require additional cabinet depth.

For detailed installation specifications consult the multiple installation requirements page or each single product installation manual.

TOP VIEW



FRONT VIEW



A separate circuit breaker servicing only this appliance is recommended.

<b>Electrical supply</b>	115 V 60 Hz 120 W 3 Amp
<b>Service</b>	15 Amp dedicated circuit
<b>Power Connection</b>	NEMA 5-15P with 90" power cord

### PLUMBING REQUIREMENT

Bertazzoni Bottom Mount refrigerators are provided with a water filter assembly which must be mounted inside the unit. The appliance must be connected only to a potable water supply system.

To connect to water supply system (for appliances equipped with ice maker) a 1/4" waterline with accessible shut-off valve must be supplied.

The solenoid connection on the appliance is 3/4" diameter but is metric threaded (NPT).

The system pressure must be between from 25 to 80 PSI (between 1.7 and 5.5 bar). Different pressures can cause malfunctions or leaks in the water system.

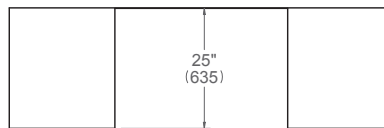
Dimensions in parentheses are millimeters unless otherwise specified.

# 36" French Door Bottom Mount Panel Ready

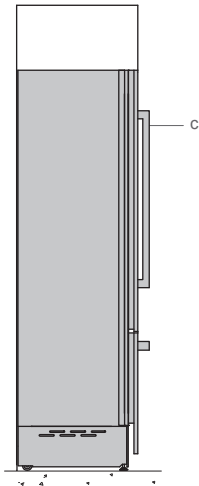
## Flush installation



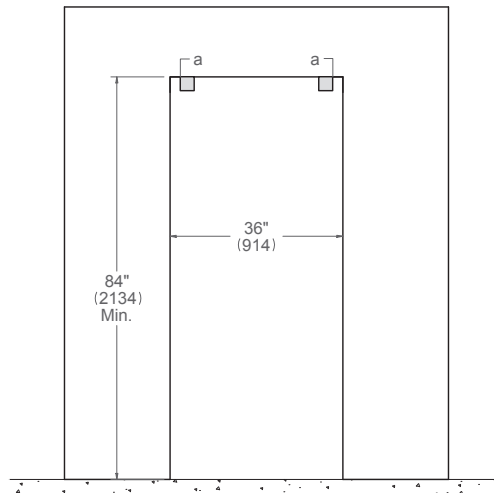
TOP VIEW<sup>b</sup>



SIDE VIEW



FRONT VIEW



- (a) Anti-tipping brackets included with appliance – 4"x3/16"
- (c) Panel dimensions available on Door Panel Specs, Built-in Food Preservation Design Guide or Installation Manual

Dimensions in parentheses are millimeters unless otherwise specified.  
b: depth includes kitchen cabinet front panel.



# 36" Bottom Mount Panel Ready

## Dimensions



REF36BMBZPNV reversible hinge

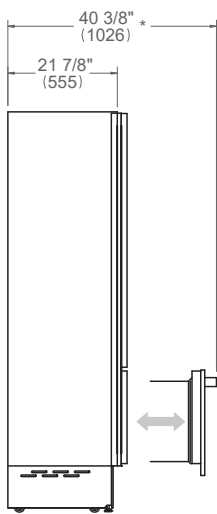
### Handle choices

Professional Series: PROHK36PI

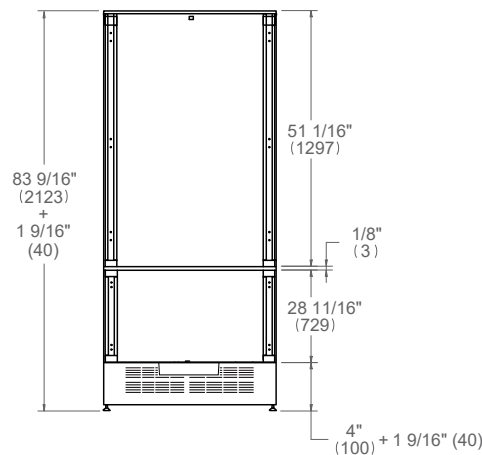
Master series: MASHK36PI

Heritage Series: HERHK36PI

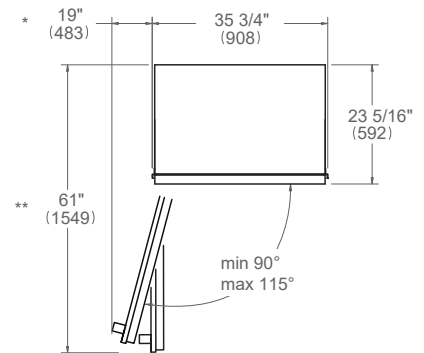
SIDE VIEW



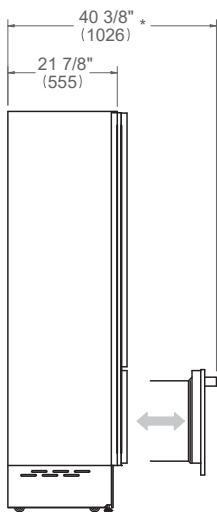
FRONT VIEW



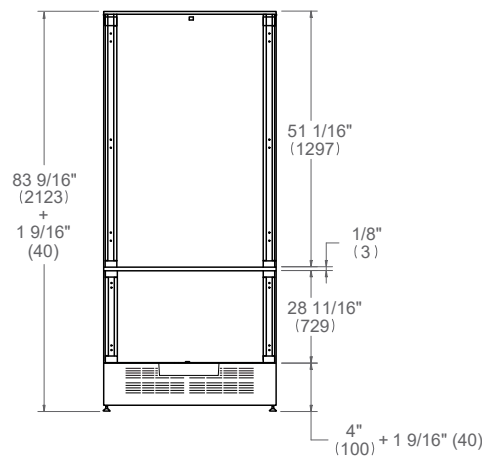
TOP VIEW



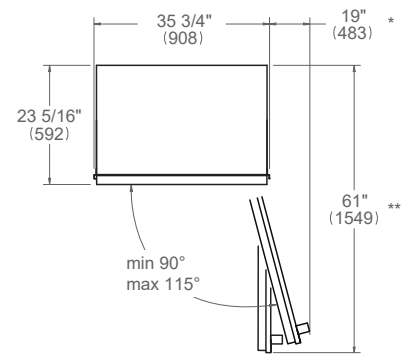
SIDE VIEW



FRONT VIEW



TOP VIEW



\* Maximum Overall Handle Dimension

\*\* 15/16" (24mm) Door Panel thickness

For custom panel dimensions see page 137

For detailed handle dimensions see page 138

Dimensions in parentheses are millimeters unless otherwise specified.

A matching stainless steel panel kit is available - SKU # SP36BMX.

# 36" Bottom Mount Panel Ready

## Installation requirements



### CABINET REQUIREMENT

Installation of the appliance must be performed in accordance with the provisions of applicable legislation.

Be sure that support of this appliance is perpendicular to the front facing of the wall or cabinet before you perform the installation.

The floor must be flat and must be capable of supporting the weight of the appliance when in use.

<b>Required floor support</b>	1200 lb (544 kg)
-------------------------------	------------------

For panel ready bottom mount refrigerator, do not exceed the maximum weight of 35 pounds (16 kg) for door panel and 20 pounds (9 kg) for drawer panel.

Panels can have a thickness ranging between 3/4" (19 mm) and 1 1/2" (38 mm). For a flush installation in 25" deep cabinets, custom door panels should not be thicker than 15/16" (24 mm).

### ELECTRICAL REQUIREMENT

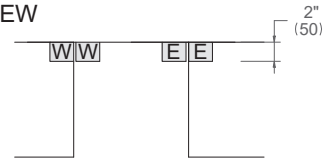
The installation must comply with all applicable electrical codes. A properly-grounded horizontally-mounted electrical receptacle should be installed.

Place the electrical supply flush with the back wall and within the shaded area shown in the illustrations.

Placement within the opening may require additional cabinet depth.

For detailed installation specifications consult the multiple installation requirements page or each single product installation manual.

TOP VIEW



FRONT VIEW



A separate circuit breaker servicing only this appliance is recommended.

<b>Electrical supply</b>	115 V 60 Hz 120 W 3 Amp
<b>Service</b>	15 Amp dedicated circuit
<b>Power Connection</b>	NEMA 5-15P with 90" power cord

### PLUMBING REQUIREMENT

Bertazzoni Bottom Mount refrigerators are provided with a water filter assembly which must be mounted inside the unit. The appliance must be connected only to a potable water supply system.

To connect to water supply system (for appliances equipped with ice maker) a 1/4" waterline with accessible shut-off valve must be supplied.

The solenoid connection on the appliance is 3/4" diameter but is metric threaded (NPT).

The system pressure must be between from 25 to 80 PSI (between 1.7 and 5.5 bar). Different pressures can cause malfunctions or leaks in the water system.

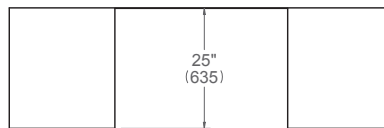
Dimensions in parentheses are millimeters unless otherwise specified.

# 36" Bottom Mount Panel Ready

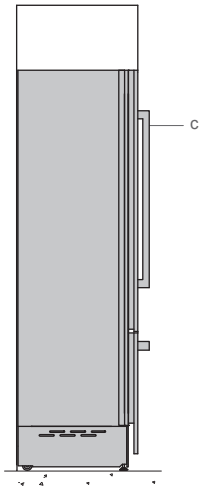
## Flush installation



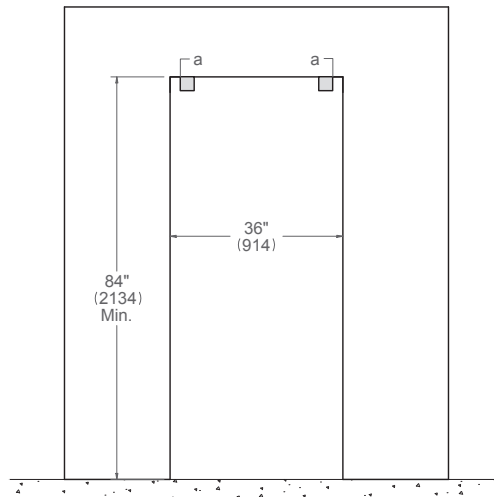
TOP VIEW<sup>b</sup>



SIDE VIEW



FRONT VIEW



- (a) Anti-tipping brackets included with appliance – 4"x3/16"
- (c) Panel dimensions available on Door Panel Specs, Built-in Food Preservation Design Guide or Installation Manual

Dimensions in parentheses are millimeters unless otherwise specified.

# 30" Bottom Mount Panel Ready

## Dimensions

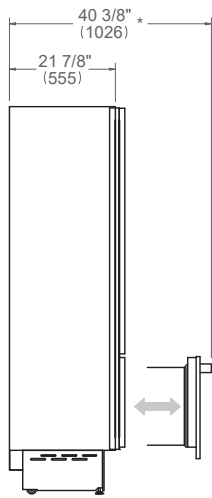


REF30BMBZPNV reversible hinge  
 REF30BMBPNB reversible hinge

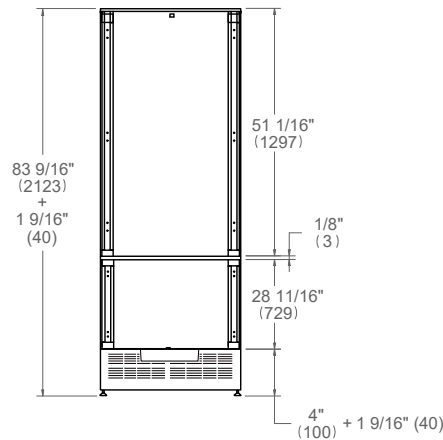
### Handle choices

Professional Series: PROHK30PI  
 Master series: MASHK30PI  
 Heritage Series: HERHK30PI

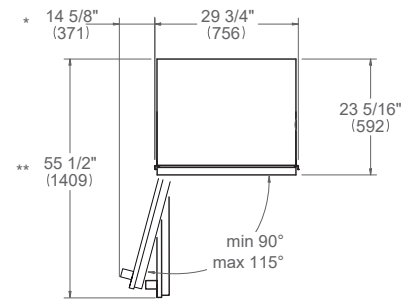
SIDE VIEW



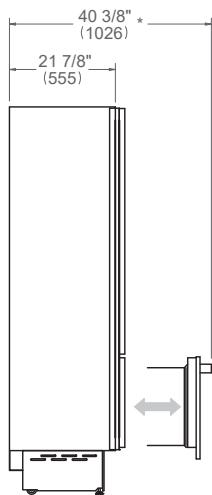
FRONT VIEW



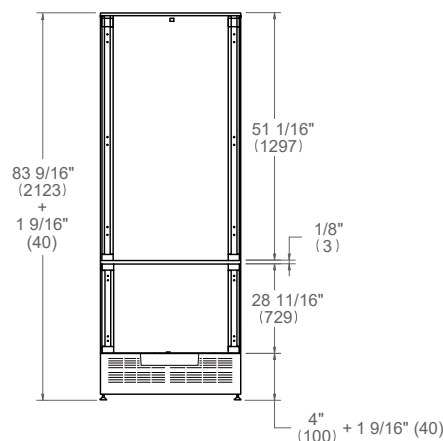
TOP VIEW



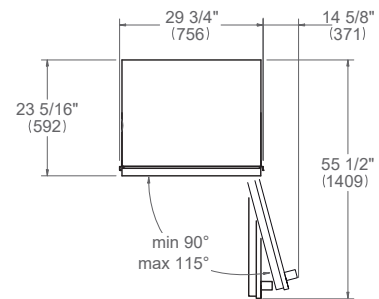
SIDE VIEW



FRONT VIEW



TOP VIEW



\* Maximum Overall Handle Dimension  
 \*\* 15/16" (24mm) Door Panel thickness  
 For custom panel dimensions see page 137  
 For detailed handle dimensions see page 138

Dimensions in parentheses are millimeters unless otherwise specified.  
 A matching stainless steel panel kit is available - SKU # SP30BMX.

# 30" Bottom Mount Panel Ready

## Installation requirements



### CABINET REQUIREMENT

Installation of the appliance must be performed in accordance with the provisions of applicable legislation.

Be sure that support of this appliance is perpendicular to the front facing of the wall or cabinet before you perform the installation.

The floor must be flat and must be capable of supporting the weight of the appliance when in use.

<b>Required floor support</b>	1200 lb (544 kg)
-------------------------------	------------------

For panel ready combi bottom mount, do not exceed the maximum weight of 35 pounds (16 kg) for door panel and 20 pounds (9 kg) for drawer panel.

For a flush installation, cabinet panels should not be thicker than 15/16" (24 mm).

### ELECTRICAL REQUIREMENT

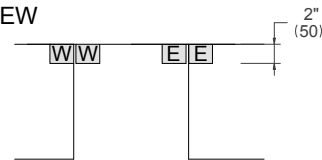
The installation must comply with all applicable electrical codes. A properly-grounded horizontally-mounted electrical receptacle should be installed.

Place the electrical supply flush with the back wall and within the shaded area shown in the illustrations.

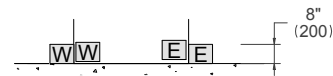
Placement within the opening may require additional cabinet depth.

For detailed installation specifications consult the multiple installation requirements page or each single product installation manual.

TOP VIEW



FRONT VIEW



A separate circuit breaker servicing only this appliance is recommended.

<b>Electrical supply</b>	115 V 60 Hz 120 W 3 Amp
<b>Service</b>	15 Amp dedicated circuit
<b>Power Connection</b>	NEMA 5-15P with 90" power cord

### PLUMBING REQUIREMENT

Bertazzoni Bottom Mount refrigerators are provided with a water filter assembly which must be mounted inside the unit. The appliance must be connected only to a potable water supply system.

To connect to water supply system (for appliances equipped with ice maker) a 1/4" waterline with accessible shut-off valve must be supplied.

The solenoid connection on the appliance is 3/4" diameter but is metric threaded (NPT).

The system pressure must be between from 25 to 80 PSI (between 1.7 and 5.5 bar). Different pressures can cause malfunctions or leaks in the water system.

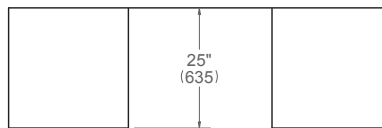
Dimensions in parentheses are millimeters unless otherwise specified.

# 30" Bottom Mount Panel Ready

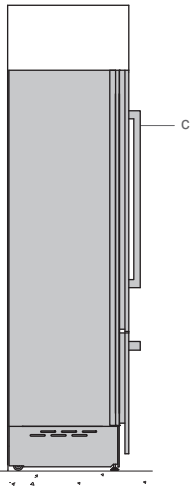
## Flush installation



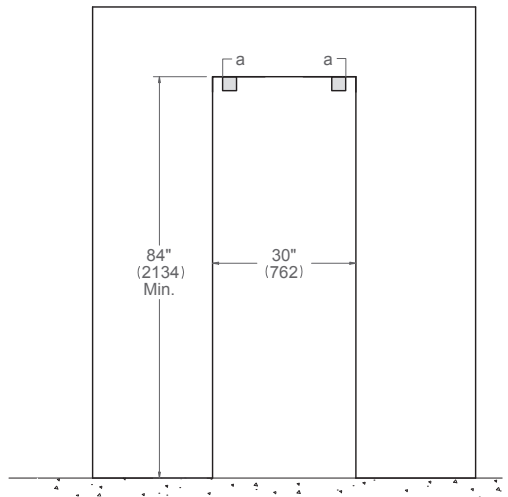
TOP VIEW<sup>b</sup>



SIDE VIEW



FRONT VIEW



- (a) Anti-tipping brackets included with appliance – 4"x3/16"
- (c) Panel dimensions available on Door Panel Specs, Built-in Food Preservation Design Guide or Installation Manual

Dimensions in parentheses are millimeters unless otherwise specified.

b: depth includes kitchen cabinet front panel.

---

# BOTTOM MOUNTS MULTIPLE INSTALLATIONS







# Bottom Mount Multiple installations

## Installation requirements



### CABINET REQUIREMENT

Installation of the appliance must be performed in accordance with the provisions of applicable legislation.

Be sure that support of this appliance is perpendicular to the front facing of the wall or cabinet before you perform the installation.

The floor must be flat and must be capable of supporting the weight of the appliance when in use.

For panel ready bottom mount, do not exceed the maximum weight of 35/44 pounds (16/20 kg) for door panel/s and 20 pounds (9 kg) for drawer panel.

Panels can have a thickness ranging between 3/4" (19 mm) and 1 1/2" (38 mm). For a flush installation in 25" deep cabinets, custom door panels should not be thicker than 15/16" (24 mm).

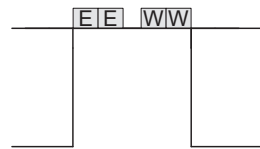
### ELECTRICAL REQUIREMENT

The installation must comply with all applicable electrical codes. A properly-grounded horizontally-mounted electrical receptacle should be installed.

Place the electrical supply flush with the back wall and within the shaded area shown in the illustrations.

Placement within the opening may require additional cabinet depth.

### TOP VIEW



### FRONT VIEW



A separate circuit breaker servicing only these appliances is recommended.

### PLUMBING REQUIREMENT

The appliances must be connected only to a potable water supply system.

To connect to water supply system (for appliances equipped with water dispenser), use a 1/4" waterline with accessible shut-off valve.

The system pressure must be between from 25 PSI to 80 PSI (between 1.7 and 5.5 Bar). Different pressures can cause malfunctions or leaks in the water system.

For information on how to purchase the water filter, please see the product spec sheet.

For detailed installation specifications consult the multiple installation requirements page or each single product installation manual.

Dimensions in parentheses are millimeters unless otherwise specified.

# 60" Bottom Mount Double Configurations

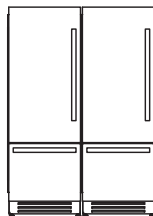
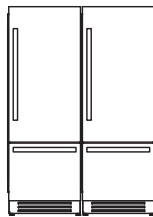
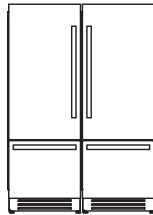
## Flush installation



### POSSIBLE COMBINATIONS

REF30BMBZPNV  
REF30BMBZPNV

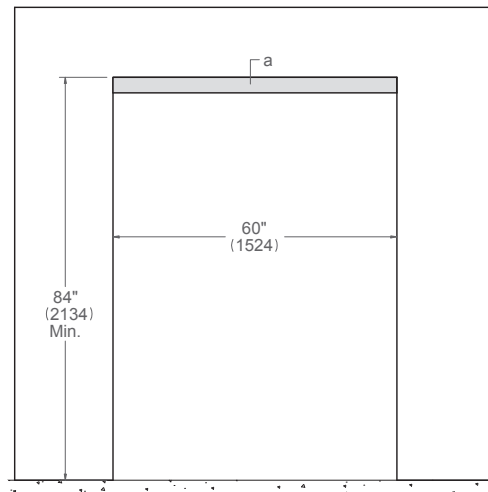
REF30BMBPNB  
REF30BMBPNB



### TOP VIEW <sup>b</sup>



### FRONT VIEW



a Anti-tipping brackets included with appliance – 60"x3/16"

b Depth includes kitchen cabinet front panel

Dimensions in parentheses are millimeters unless otherwise specified.

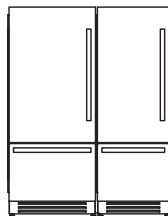
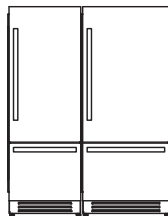
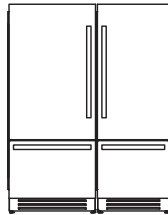
# 66" Bottom Mount Double Configurations

## Flush installation



### POSSIBLE COMBINATIONS

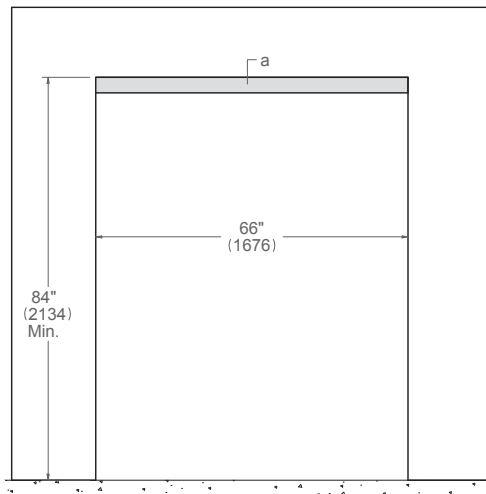
REF30BMBZPNV  
REF36BMBZPNV



### TOP VIEW<sup>b</sup>



### FRONT VIEW



a Anti-tipping brackets included with appliance – 66"x3/16"  
b Depth includes kitchen cabinet front panel

Dimensions in parentheses are millimeters unless otherwise specified.

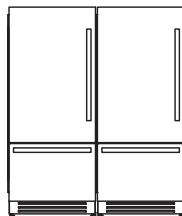
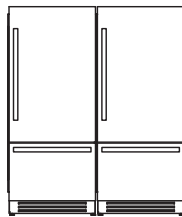
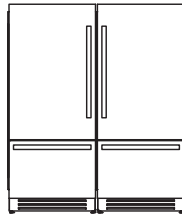
# 72" Bottom Mount Double Configurations

## Flush installation



### POSSIBLE COMBINATIONS

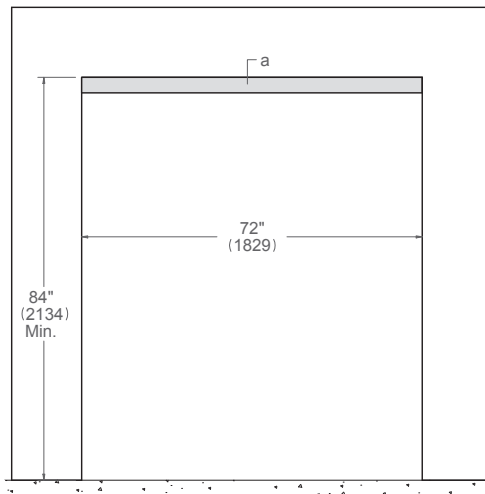
REF36BMBZPNV  
REF36BMBZPNV



### TOP VIEW <sup>b</sup>



### FRONT VIEW



a Anti-tipping brackets included with appliance – 72"x3/16"

b Depth includes kitchen cabinet front panel

Dimensions in parentheses are millimeters unless otherwise specified.

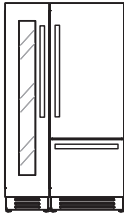
# 48" Double Configurations

## Flush installation

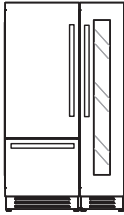


### POSSIBLE COMBINATIONS <sup>c</sup>

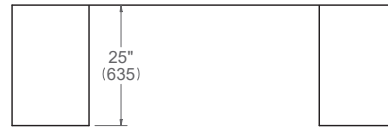
REF30BMBZPNV  
REF18WCBPLV



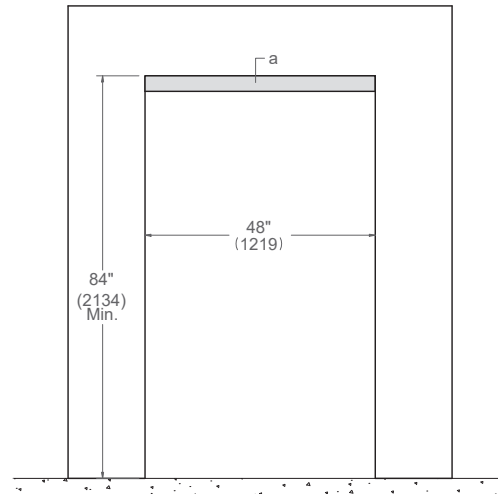
REF30BMBZPNV  
REF18WCBPRV



### TOP VIEW <sup>b</sup>



### FRONT VIEW



a: Area to be left clear for the anti-tipping brackets – 48"x 3/16"

b: Depth includes kitchen cabinet front panel.

Dimensions in parentheses are millimeters unless otherwise specified.

All Freezer and Wine Columns are supplied with a vertical connector trim for multiple columns installations.

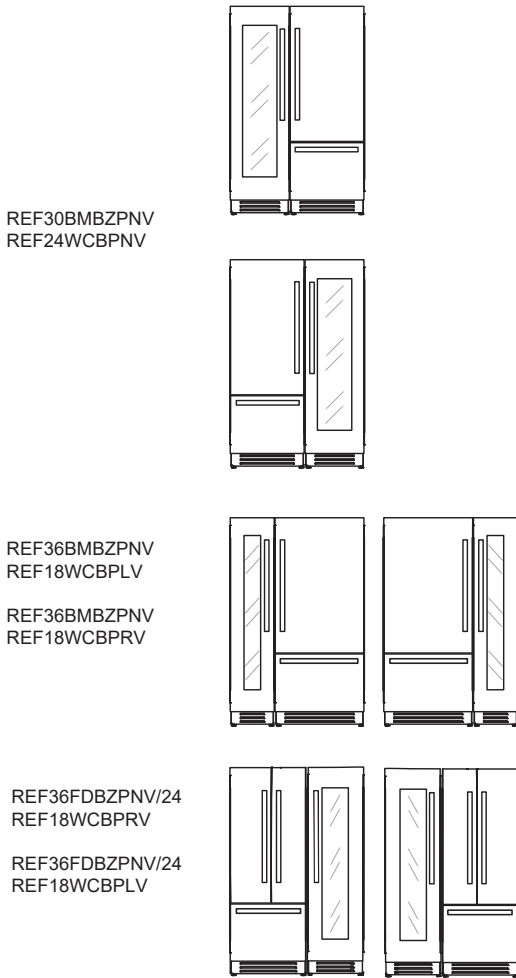
No additional accessories are needed.

# 54" Double Configurations

## Flush installation



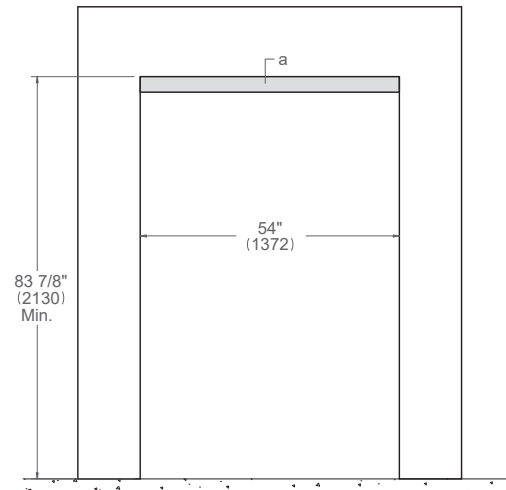
### POSSIBLE COMBINATIONS



### TOP VIEW<sup>b</sup>



### FRONT VIEW



a Area to be left clear for the anti-tipping brackets – 54"x 3/16"

b Depth includes kitchen cabinet front panel

Dimensions in parentheses are millimeters unless otherwise specified.

All Freezer and Wine Columns are supplied with a vertical connector trim for multiple columns installations.

No additional accessories are needed.

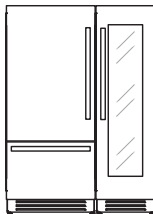
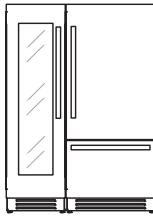
# 60" Double Configurations

## Flush installation

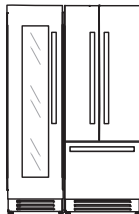
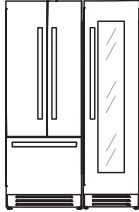


### POSSIBLE COMBINATIONS

REF36BMBZPNV  
REF24WCBPNV



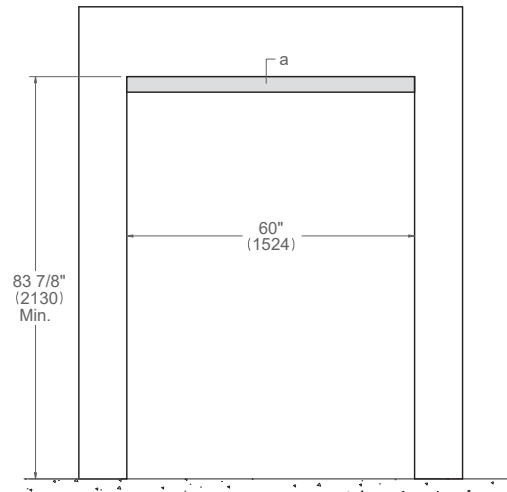
REF36FDBZPNV/24  
REF24WCBPNV



### TOP VIEW<sup>b</sup>



### FRONT VIEW



a: Area to be left clear for the anti-tipping brackets – 60"x 3/16"

b: Depth includes kitchen cabinet front panel.

Dimensions in parentheses are millimeters unless otherwise specified.

All Freezer and Wine Columns are supplied with a vertical connector trim for multiple columns installations.

No additional accessories are needed.

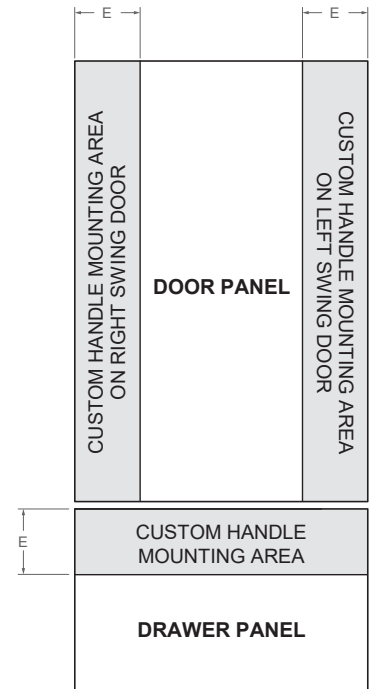
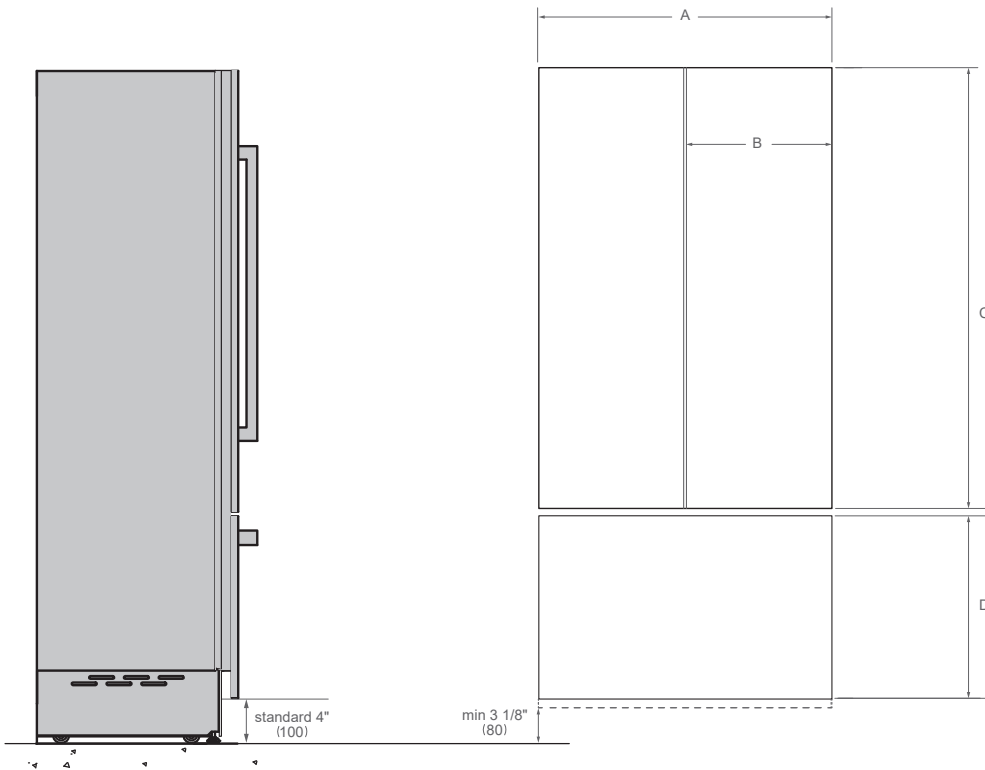
# French Door Custom Door Panel



## REARPANELDRILLING

The drilling templates for the panels are included in the refrigerator packaging.

## CUSTOM HANDLES MOUNTING AREA



	<b>36"</b>
<b>A</b>	35 11/16" (907)
<b>B</b>	17 3/4" (451)
<b>C</b>	51 1/16" (1297)
<b>D</b>	28 11/16" (729)
<b>E</b>	7 1/8" (182)

Dimensions in parentheses are millimeters unless otherwise specified.  
Minimum gap between custom door panels and adjacent cabinetry is 1/8" (3.5).



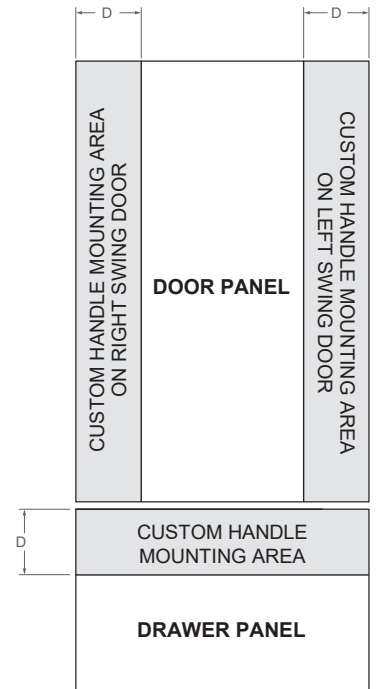
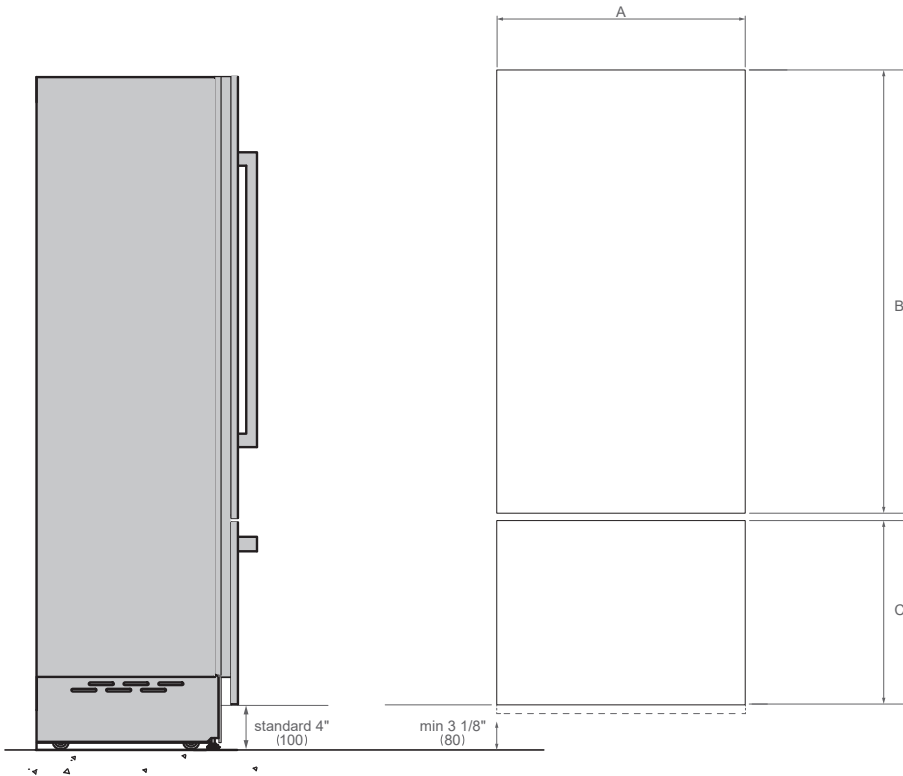
# Bottom Mount Custom Door Panel



## 36" & 30" BOTTOM MOUNT REAR PANEL DRILLING

## CUSTOM HANDLES MOUNTING AREA

The drilling templates for the panels are included in the refrigerator packaging.



	36"	30"
<b>A</b>	35 3/4" (908)	29 3/4" (756)
<b>B</b>	51 1/16" (1297)	51 1/16" (1297)
<b>C</b>	28 11/16" (729)	28 11/16" (729)
<b>D</b>	7 1/8" (182)	6" (152)

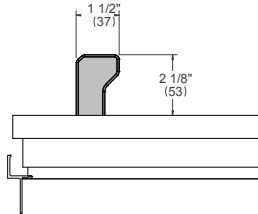
Dimensions in parentheses are millimeters unless otherwise specified.

Minimum gap between custom door panels and adjacent cabinetry is 1/8" (3).

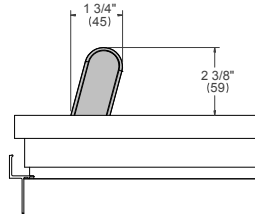
# French Door Refrigeration Handles



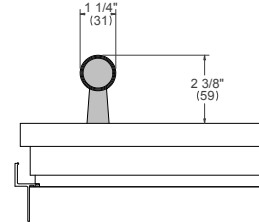
**PROFESSIONAL SERIES**  
**HK36PROFDBXV**  
**HK36PROFDBTV**



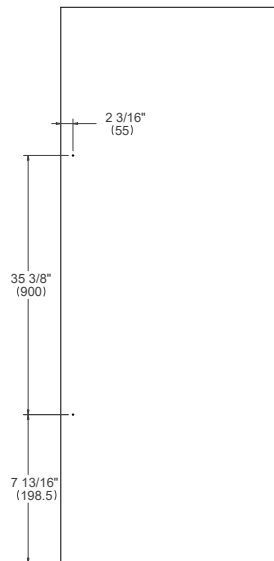
**MASTER SERIES**  
**HK36MASFDBXV**



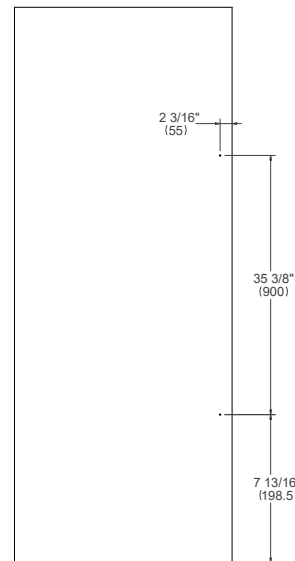
**HERITAGE SERIES**  
**HK36HERFDBXV**



**BERTAZZONI HANDLES**  
**DRILLING ON RIGHT SWING DOOR**



**BERTAZZONI HANDLES**  
**DRILLING ON LEFT SWING DOOR**



## HANDLE INSTALLATION ON CUSTOM PANELS

In case a custom panel is to be mounted on any of the models listed below with Bertazzoni handles, it will be necessary to install M5 x 0.8 mm brass tapping inserts in order to secure the handle properly on the custom panel. Recommended drill bit size to drill the pilot hole is 3/8". Suitable inserts can be ordered at [www.encompass.com](http://www.encompass.com)

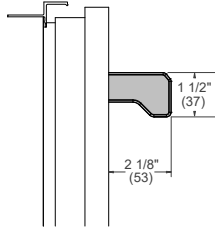
Part Number: 95631A100, contains n°4 M5 brass hardwood inserts and 1 M5 installation bit. Do not use a power tool to mount the inserts. Installation of the inserts with improperly calibrated power tools risk damaging the panels.

Dimensions in parentheses are millimeters unless otherwise specified.

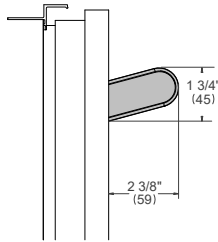
# French Door Refrigeration Handles



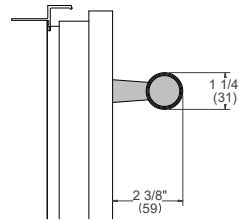
**PROFESSIONAL SERIES**  
**HK36PROFDBXV**  
**HK36PROFDBTV**



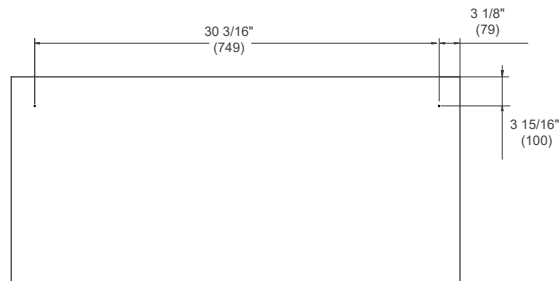
**MASTER SERIES**  
**HK36MASFDBXV**



**HERITAGE SERIES**  
**HK36HERFDBXV**



**BERTAZZONI HANDLES**  
**36" (90CM) FREEZER DRAWER**



## HANDLE INSTALLATION ON CUSTOM PANELS

In case a custom panel is to be mounted on any of the models listed below with Bertazzoni handles, it will be necessary to install M5 x 0.8 mm brass tapping inserts in order to secure the handle properly on the custom panel. Recommended drill bit size to drill the pilot hole is 3/8". Suitable inserts can be ordered at [www.encompass.com](http://www.encompass.com)

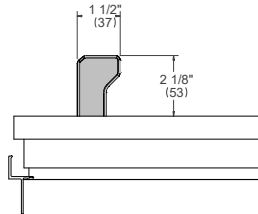
Part Number: 95631A100, contains n°4 M5 brass hardwood inserts and 1 M5 installation bit. Do not use a power tool to mount the inserts. Installation of the inserts with improperly calibrated power tools risk damaging the panels.

Dimensions in parentheses are millimeters unless otherwise specified.

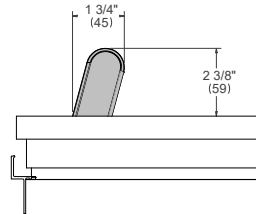
# Bottom Mount Refrigeration Handles



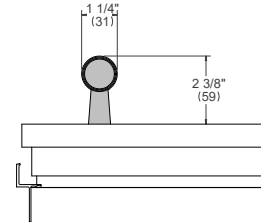
**PROFESSIONAL SERIES**  
**PROHK36PI**  
**PROHK30PI**



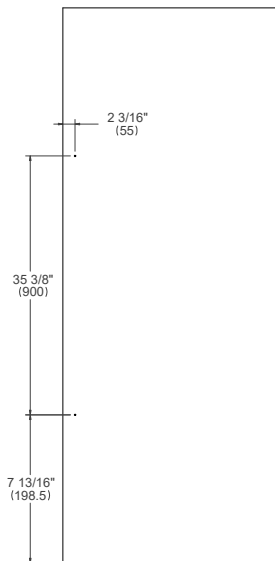
**MASTER SERIES**  
**MASHK36PI**  
**MASHK30PI**



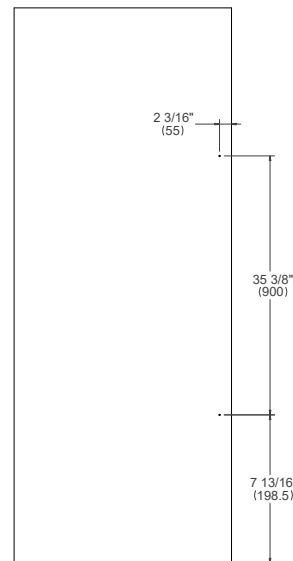
**HERITAGE SERIES**  
**HERHK36PI**  
**HERHK30PI**



**BERTAZZONI HANDLES**  
**DRILLING ON RIGHT SWING DOOR**



**BERTAZZONI HANDLES**  
**DRILLING ON LEFT SWING DOOR**



## HANDLE INSTALLATION ON CUSTOM PANELS

In case a custom panel is to be mounted on any of the models listed below with Bertazzoni handles, it will be necessary to install M5 x 0.8 mm brass tapping inserts in order to secure the handle properly on the custom panel. Recommended drill bit size to drill the pilot hole is 3/8". Suitable inserts can be ordered at [www.encompass.com](http://www.encompass.com)

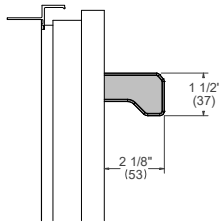
Part Number: 95631A100, contains n°4 M5 brass hardwood inserts and 1 M5 installation bit. Do not use a power tool to mount the inserts. Installation of the inserts with improperly calibrated power tools risk damaging the panels.

Dimensions in parentheses are millimeters unless otherwise specified.

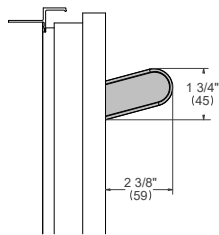
# Bottom Mount Refrigeration Handles



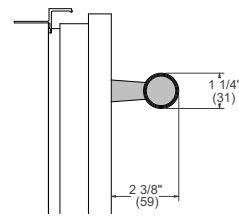
**PROFESSIONAL SERIES**  
**PROHK36PI**  
**PROHK30PI**



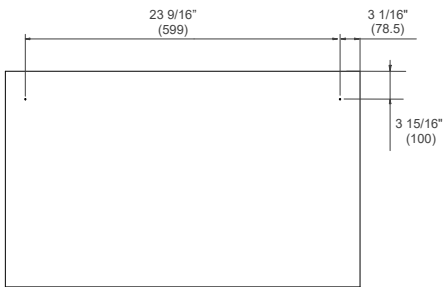
**MASTER SERIES**  
**MASHK36PI**  
**MASHK30PI**



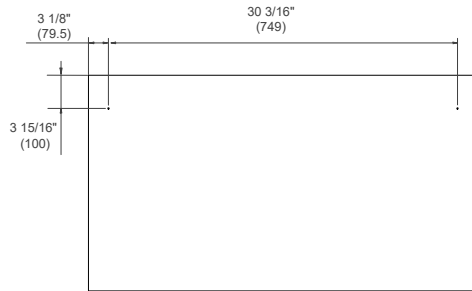
**HERITAGE SERIES**  
**HERHK36PI**  
**HERHK30PI**



**BERTAZZONI HANDLES**  
**DRILLING ON 30" (75CM) FREEZER DRAWER**



**BERTAZZONI HANDLES**  
**DRILLING ON 36" (90CM) FREEZER DRAWER**



## HANDLE INSTALLATION ON CUSTOM PANELS

In case a custom panel is to be mounted on any of the models listed below with Bertazzoni handles, it will be necessary to install M5 x 0.8 mm brass tapping inserts in order to secure the handle properly on the custom panel. Recommended drill bit size to drill the pilot hole is 3/8". Suitable inserts can be ordered at [www.encompass.com](http://www.encompass.com)

Part Number: 95631A100, contains n°4 M5 brass hardwood inserts and 1 M5 installation bit. Do not use a power tool to mount the inserts. Installation of the inserts with improperly calibrated power tools risk damaging the panels.

Dimensions in parentheses are millimeters unless otherwise specified.

BERTAZZONI.COM



TO COOK BEAUTIFULLY